

Rear carrier
Aluminium rack

KAWASAKI KLR 650
US-Model from 2008

Item-No.: 650.206 01 01 black

Side cases
Top cases
luggage frames
Lock it system
Softbags
Aluminium luggage
Leather luggage
Protection bars
Center stands
Chopper parts
Accessories



Assembling instructions

The kit includes the following parts:

Quant	item no.	description	
1	700006881	contains:	
	1	799.901HB	alu-rack
	1	799.902HB	bow for Alu-rack
	1	799.903HB	plastic cover for rack
1	700007650	adapter plate	
4	150.885	allen screw M6 x 12	
4	151.026	countersunk head screw M6x30	
2	151.309	countersunk washer Ø6,4	
2	150.986	washer ø18 x ø6,4	
2	150.809	washer ø12 x ø6,4	
4	150.799	self-nock nut M6	
4	150.822	alu spacer ø13 x ø7 x 8 mm	

Tip:

Fit all parts and screw on not too strong.
After mounting all parts, the screws should be
tightened to the torque specified.
This guarantees, that the kit is mounted
without tension.



Rear carrier
Aluminium rack

KAWASAKI KLR 650
US-Model from 2008

Item-No.: 650.206 01 01 black

Side cases
Top cases
luggage frames
Lock it system
Softbags
Aluminium luggage
Leather luggage
Protection bars
Center stands
Chopper parts
Accessories



Assembling instructions

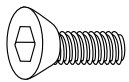
Preparing:

Dismantle the original screws of the rear rack - screws are obsolete.
Sandwich spacer $\text{Ø}13 \times \text{Ø}7 \times 8$ mm into the borings.

Fastening of the adapter plate:

front with countersunk washers $\text{Ø}18 \times \text{Ø}6,5$ and countersunk screws M6 x 30.

Rear point: with countersunk screws M6 x 30.



4x

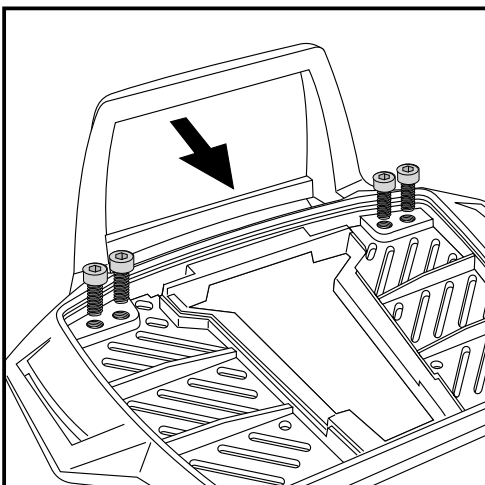
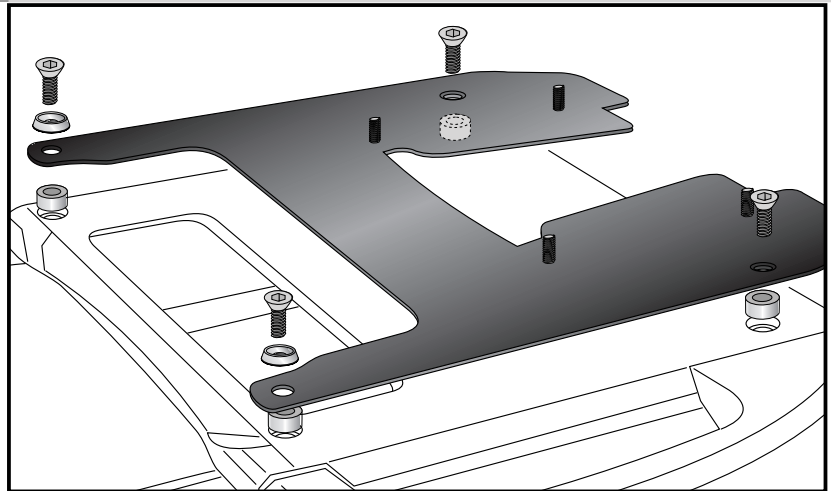


2x



4x

1



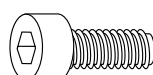
2

Fastening of the bow for the rack:

Fix the bow to the rack with allen screws M6 x 12.

NOTICE:

The bow is only needed in use with a Hepco & Becker topcase.



4x

Rear carrier
Aluminium rack

KAWASAKI KLR 650
US-Model from 2008

Item-No.: 650.206 01 01 black

Side cases
Top cases
luggage frames
Lock it system
Softbags
Aluminium luggage
Leather luggage
Protection bars
Center stands
Chopper parts
Accessories



Assembling instructions

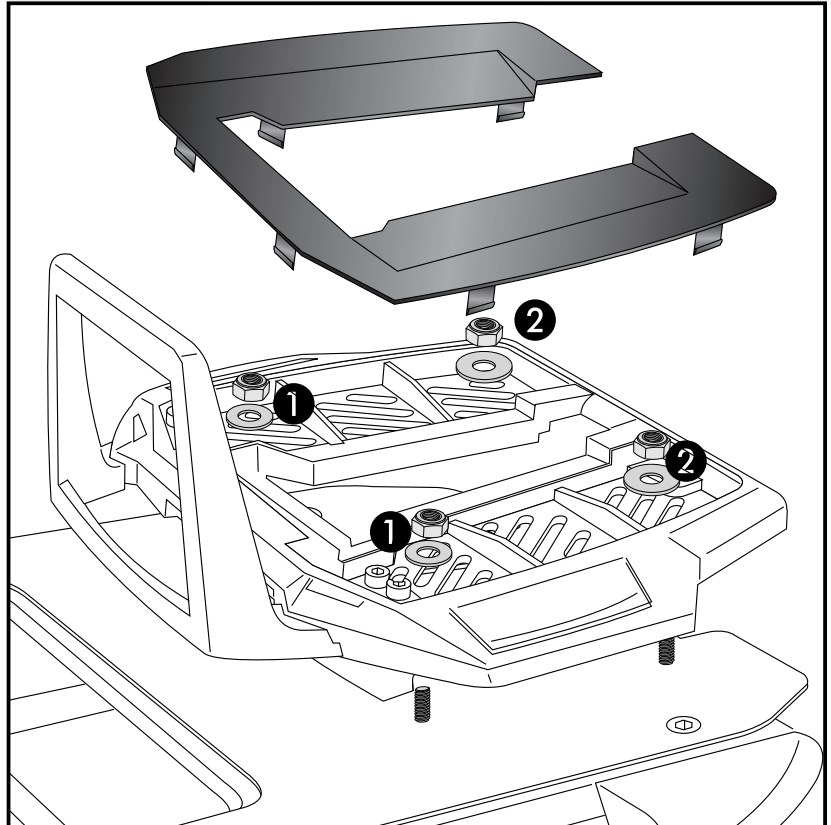
Fastening of the alu-rack:

Front: ①
with washer $\text{Ø}12 \times \text{Ø}6,4$ and self-lock
nuts M6.

Rear: ②
 $\text{Ø}18 \times \text{Ø}6,4$ and self-lock nuts M6.

Mount the plastic cover.

7



2x



2x



4x



Control all screw connections after the assembling for tightness!
Please notice our enclosed service information.

Also available:
Engine guard
Side carrier (Lock it, removable)
Center Stand

Item.-No.: 502.206
Item.-No.: 650.206 00 01
Item.-No.: 505.206 00 01



Hepco & Becker GmbH
An der Steinmauer 6

D-66955 Pirmasens

Tel.: +49 (0)6331 - 1453 - 100
Fax: +49 (0)6331 - 1453 - 120
eMail: vertrieb@hepco-becker.de
www.hepco-becker.de