



MODEL APRILIA RSV4

YEAR 2009 - 2016

LINE SLIP ON

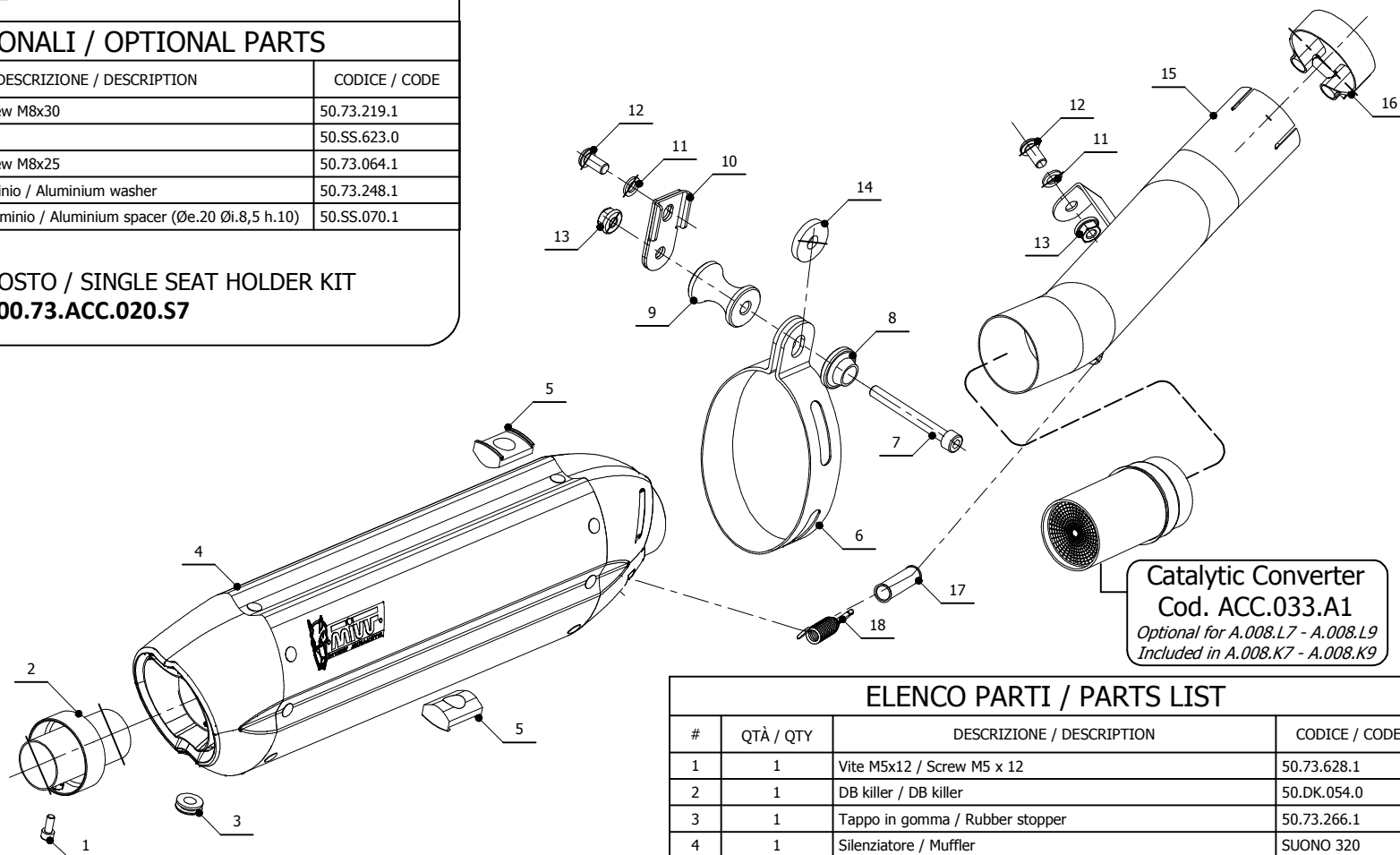
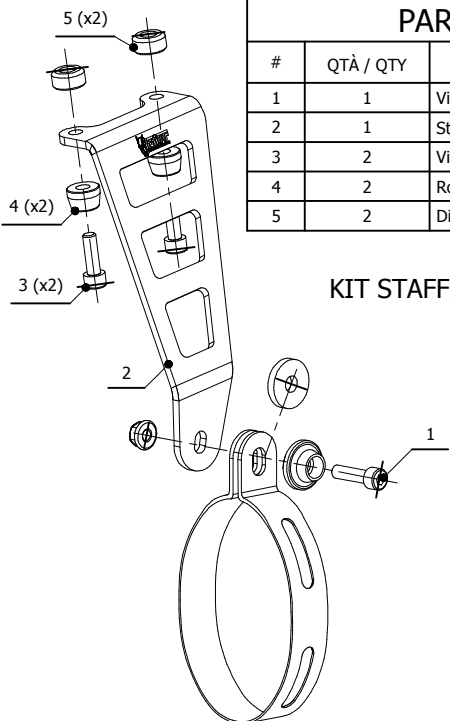
MUFFLER SUONO

SCHEMATIC

PARTI OPZIONALI / OPTIONAL PARTS

#	QTÀ / QTY	DESCRIZIONE / DESCRIPTION	CODICE / CODE
1	1	Vite M8x30 / Screw M8x30	50.73.219.1
2	1	Staffa / Bracket	50.SS.623.0
3	2	Vite M8x25 / Screw M8x25	50.73.064.1
4	2	Rondella in alluminio / Aluminium washer	50.73.248.1
5	2	Distanziale in alluminio / Aluminium spacer (Øe.20 Øi.8,5 h.10)	50.SS.070.1

KIT STAFFA MONOPOSTO / SINGLE SEAT HOLDER KIT
COD. 00.73.ACC.020.S7



Catalytic Converter
Cod. ACC.033.A1
Optional for A.008.L7 - A.008.L9
Included in A.008.K7 - A.008.K9



ELENCO PARTI / PARTS LIST

#	QTÀ / QTY	DESCRIZIONE / DESCRIPTION	CODICE / CODE
1	1	Vite M5x12 / Screw M5 x 12	50.73.628.1
2	1	DB killer / DB killer	50.DK.054.0
3	1	Tappo in gomma / Rubber stopper	50.73.266.1
4	1	Silenziatore / Muffler	SUONO 320
5	2	Tassello grande / Rubber big block	50.73.203.1
6	1	Staffa in carbonio / Carbon fiber bracket	50.SS.180.1
7	1	Vite M8x70 / Screw M8x70	50.73.086.1
8	1	Rondella in alluminio nera / Black aluminium washer	50.73.221.1
9	1	Distanziale in alluminio / Aluminium spacer (Øe.30 Øi.8,5 h.40)	50.SS.191.1
10	1	Staffa / Bracket	50.SS.581.0
11	2	Rondella M8 / Washer M8	50.73.270.1
12	2	Vite M8 x 16 / Screw M8 x 16	50.73.098.1
13	2	Dado M8 flangiato / Flanged nut M8	50.73.052.1
14	1	Rondella in gomma / Rubber washer	50.73.227.1
15	1	Tubo di raccordo / Link pipe	9773A008S2
16	1	Fascetta Ø 56/59 mm / Pipe clamp Ø 56/59 mm	50.FA.009.1
17	1	Tubo in gomma per molla / Rubber pipe for spring	50.73.210.1
18	1	Molla corta / Short Spring	50.73.123.1

APPLICAZIONI / APPLICATIONS

CODICE / CODE	SILENZIATORE / MUFFLER	TUBO / PIPE	FASCETTA / CLAMP	NOTE
A.008.L7 A.008.L9	INOX (COPPE CARBONIO) / ST. STEEL (CARBON CAPS) STEEL BLACK	INOX / ST. STEEL	CARBONIO / CARBON FIBER	CATALYTIC CONVERTER NOT INCLUDED
A.008.K7 A.008.K9	INOX (COPPE CARBONIO) / ST. STEEL (CARBON CAPS) STEEL BLACK	INOX / ST. STEEL	CARBONIO / CARBON FIBER	CATALYTIC CONVERTER INCLUDED