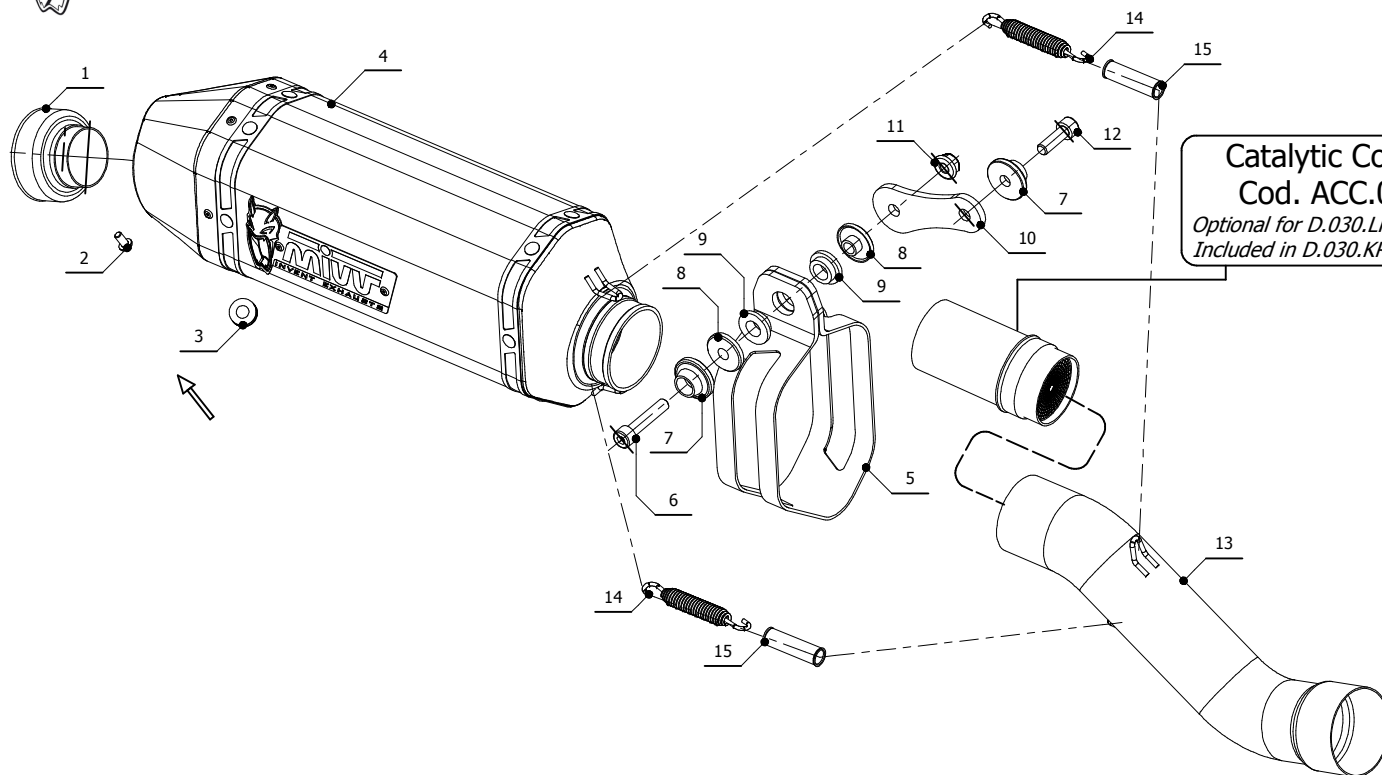




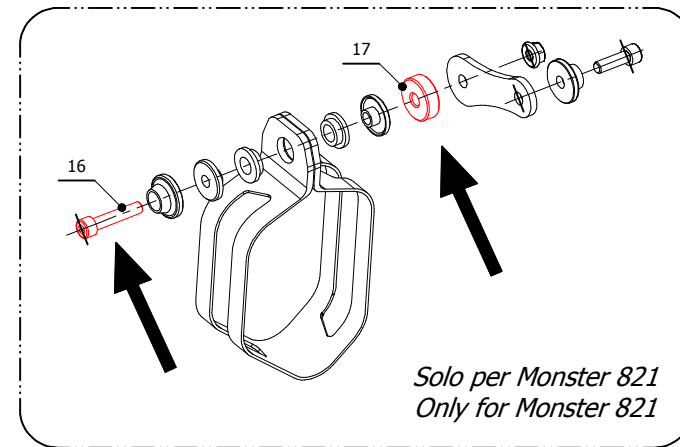
MODEL DUCATI MONSTER 1200
DUCATI MONSTER 821
LINE SLIP ON

YEAR 2014 - 2016
2015 - 2016
MUFFLER SPEED EDGE

SCHEMATIC



Catalytic Converter
Cod. ACC.033.A1
Optional for D.030.LRX - D.030.LRB
Included in D.030.KRX - D.030.KRB



Solo per Monster 821
Only for Monster 821



MONSTER 1200



MONSTER 821

APPLICAZIONI / APPLICATIONS

CODICE / CODE	SILENZIATORE / MUFFLER	TUBO / PIPE	FASCETTA / CLAMP	NOTE
D.030.LRX D.030.LRB	INOX (COPPE CARBONIO) / ST. STEEL (CARBON CAPS) STEEL BLACK	INOX / ST. STEEL	CARBONIO / CARBON FIBER	CATALYTIC CONVERTER NOT INCLUDED
D.030.KRX D.030.KRB	INOX (COPPE CARBONIO) / ST. STEEL (CARBON CAPS) STEEL BLACK	INOX / ST. STEEL	CARBONIO / CARBON FIBER	CATALYTIC CONVERTER INCLUDED

ELENCO PARTI / PARTS LIST

#	QTÀ / QTY	DESCRIZIONE / DESCRIPTION	CODICE / CODE
1	1	DB killer / DB killer	50.DK.086.0
2	1	Vite M5 x 8 / Screw M5 x 8	50.73.459.1
3	1	Tappo in gomma / Rubber stopper	50.73.266.1
4	1	Silenziatore / Muffler	SPEED EDGE 250
5	1	Staffa in carbonio / Carbon fiber bracket	50.SS.814.1
6	1	Vite M8x40 / Screw M8x40	50.73.075.1
7	2	Rondella in alluminio nera / Black aluminium washer	50.73.221.1
8	2	Boccola / Bush	50.73.381.1
9	2	Silentblock / Silentblock	50.73.380.1
10	1	Staffa / Bracket	50.SS.718.0
11	1	Dado M8 flangiato / Flanged nut M8	50.73.393.1
12	1	Vite M8x25 / Screw M8x25	50.73.064.1
13	1	Tubo di raccordo / Link pipe	9773D030SRX
14	2	Molla media / Middle spring	50.73.359.1
15	2	Tubo in gomma per molla / Rubber pipe for spring	50.73.210.1
16	1	Vite M8x50 / Screw M8x50	50.73.074.1
17	1	Distanziale in alluminio / Aluminium spacer	50.SS.645.1