

PRODUCT SHEET

HONDA HORNET 600

2001 > 2002

LINE SPORT - SLIP ON SYSTEMS





HONDA

HONDA HORNET 600
2001 > 2002
SPORT - SLIP ON SYSTEMS

	Kit	Type	Shape	Level	Homologated
H.018.LE	SLIP-ON	CARBON	OVAL	STANDARD LEVEL	<input checked="" type="checkbox"/>
H.018.LN	SLIP-ON	TITANIUM	OVAL	STANDARD LEVEL	<input checked="" type="checkbox"/>
H.018.LC3	SLIP-ON	STAINLESS STEEL	X-CONE	STANDARD LEVEL	<input checked="" type="checkbox"/>
H.018.L7	SLIP-ON	STAINLESS STEEL	SUONO	STANDARD LEVEL	<input checked="" type="checkbox"/>





MODEL HONDA HORNET 600

YEAR 2001-2002

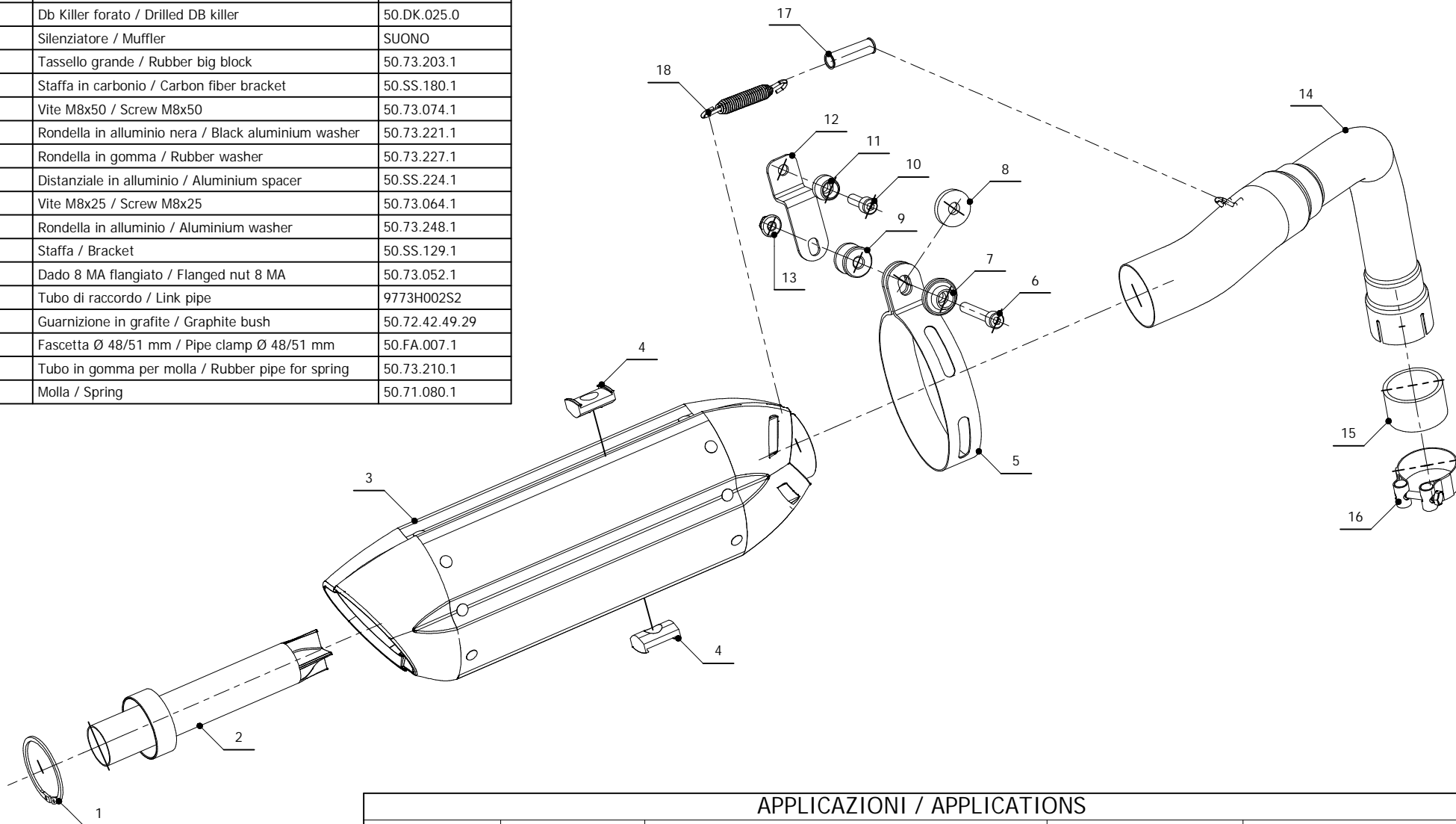
LINE SPORT

MUFFLER SUONO

SCHEMATIC

ELENCO PARTI / PARTS LIST

#	QTA / QTY	DESCRIZIONE / DESCRIPTION	CODICE / CODE
1	1	Anello Seger / Seger ring	50.73.218.1
2	1	Db Killer forato / Drilled DB killer	50.DK.025.0
3	1	Silenziatore / Muffler	SUONO
4	2	Tassello grande / Rubber big block	50.73.203.1
5	1	Staffa in carbonio / Carbon fiber bracket	50.SS.180.1
6	1	Vite M8x50 / Screw M8x50	50.73.074.1
7	1	Rondella in alluminio nera / Black aluminium washer	50.73.221.1
8	1	Rondella in gomma / Rubber washer	50.73.227.1
9	1	Distanziale in alluminio / Aluminium spacer	50.SS.224.1
10	1	Vite M8x25 / Screw M8x25	50.73.064.1
11	1	Rondella in alluminio / Aluminium washer	50.73.248.1
12	1	Staffa / Bracket	50.SS.129.1
13	1	Dado 8 MA flangiato / Flanged nut 8 MA	50.73.052.1
14	1	Tubo di raccordo / Link pipe	9773H002S2
15	1	Guarnizione in grafite / Graphite bush	50.72.42.49.29
16	1	Fascetta Ø 48/51 mm / Pipe clamp Ø 48/51 mm	50.FA.007.1
17	1	Tubo in gomma per molla / Rubber pipe for spring	50.73.210.1
18	1	Molla / Spring	50.71.080.1

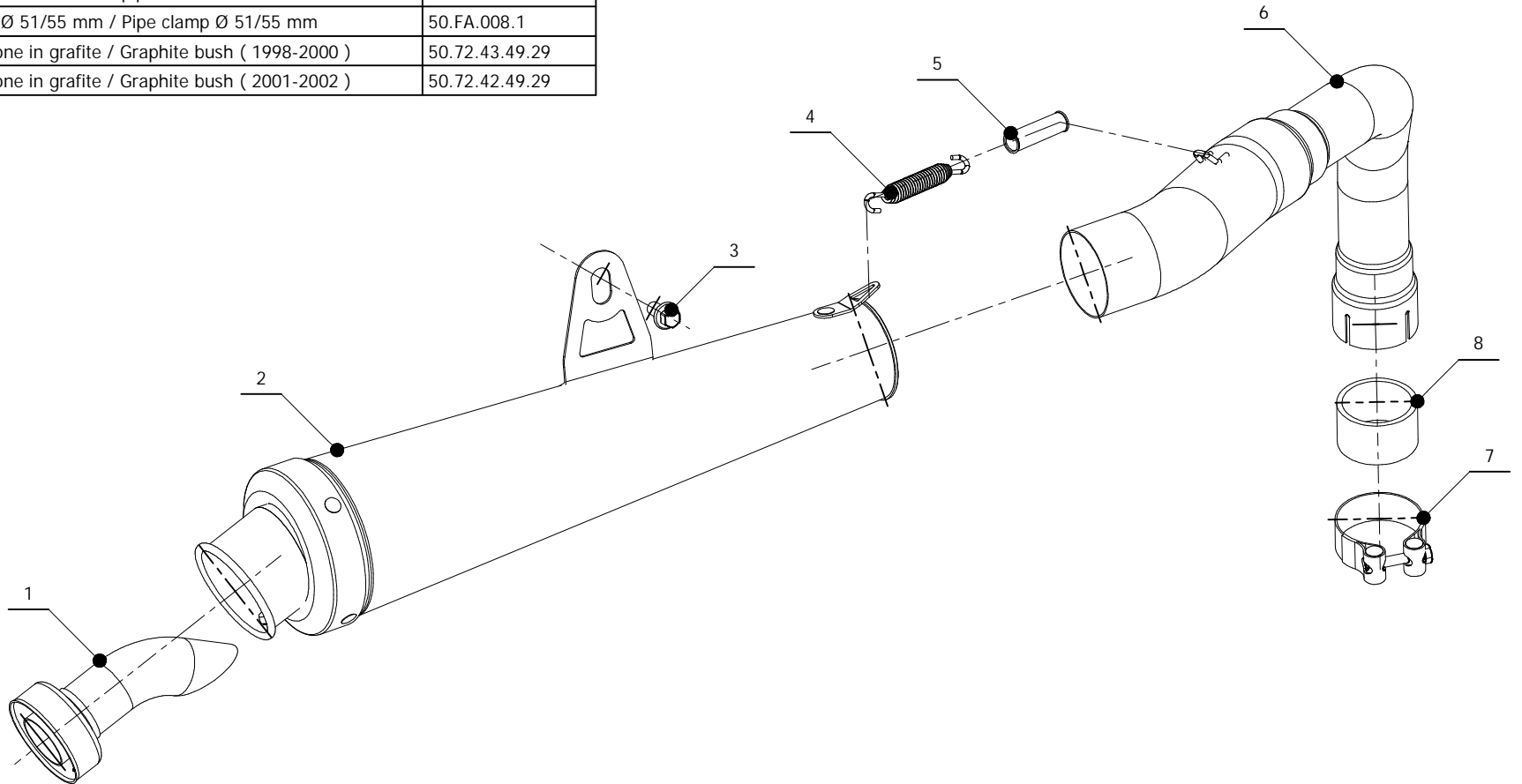


APPLICAZIONI / APPLICATIONS

CODICE / CODE	TUBO / PIPE	SILENZIATORE / MUFFLER	FASCETTA / CLAMP	CODICE OMOL. / HOMOL. CODE
H.018.L7	INOX / ST. STEEL	INOX (COPPE CARBONIO) / ST. STEEL (CARBON CAPS)	CARBONIO / CARBON FIBER	ME003 e1 0318
H.018.L9	INOX / ST. STEEL	CARBONIO (COPPE CARBONIO) / CARBON (CARBON CAPS)	CARBONIO / CARBON FIBER	ME003 e1 0318

ELENCO PARTI / PARTS LIST

#	QTÀ / QTY	DESCRIZIONE / DESCRIPTION	CODICE / CODE
1	1	DB killer / DB killer	50.DK.020.0
2	1	Silenziatore / Muffler	X-cone
3	1	Vite M8x16 / Screw M8x16	50.73.006.1
4	1	Molla / Spring	50.71.080.1
5	1	Tubo in gomma per molla / Rubber pipe for spring	50.73.210.1
6	1	Tubo di raccordo / Link pipe	9773H002S2
7	1	Fascetta Ø 51/55 mm / Pipe clamp Ø 51/55 mm	50.FA.008.1
8	1	Guarnizione in grafite / Graphite bush (1998-2000)	50.72.43.49.29
8	1	Guarnizione in grafite / Graphite bush (2001-2002)	50.72.42.49.29


APPLICAZIONI / APPLICATIONS

CODICE / CODE	TUBO / PIPE	SILENZIATORE / MUFFLER	FASCETTA / CLAMP	OMOLOGAZIONE / HOMOLOGATION
H.018.LC3	INOX / STAINLESS STEEL	INOX / STAINLESS STEEL	INOX / STAINLESS STEEL	OMOLOGATO / HOMOLOGATED



MODEL HONDA HORNET 600

YEAR 2001-2002

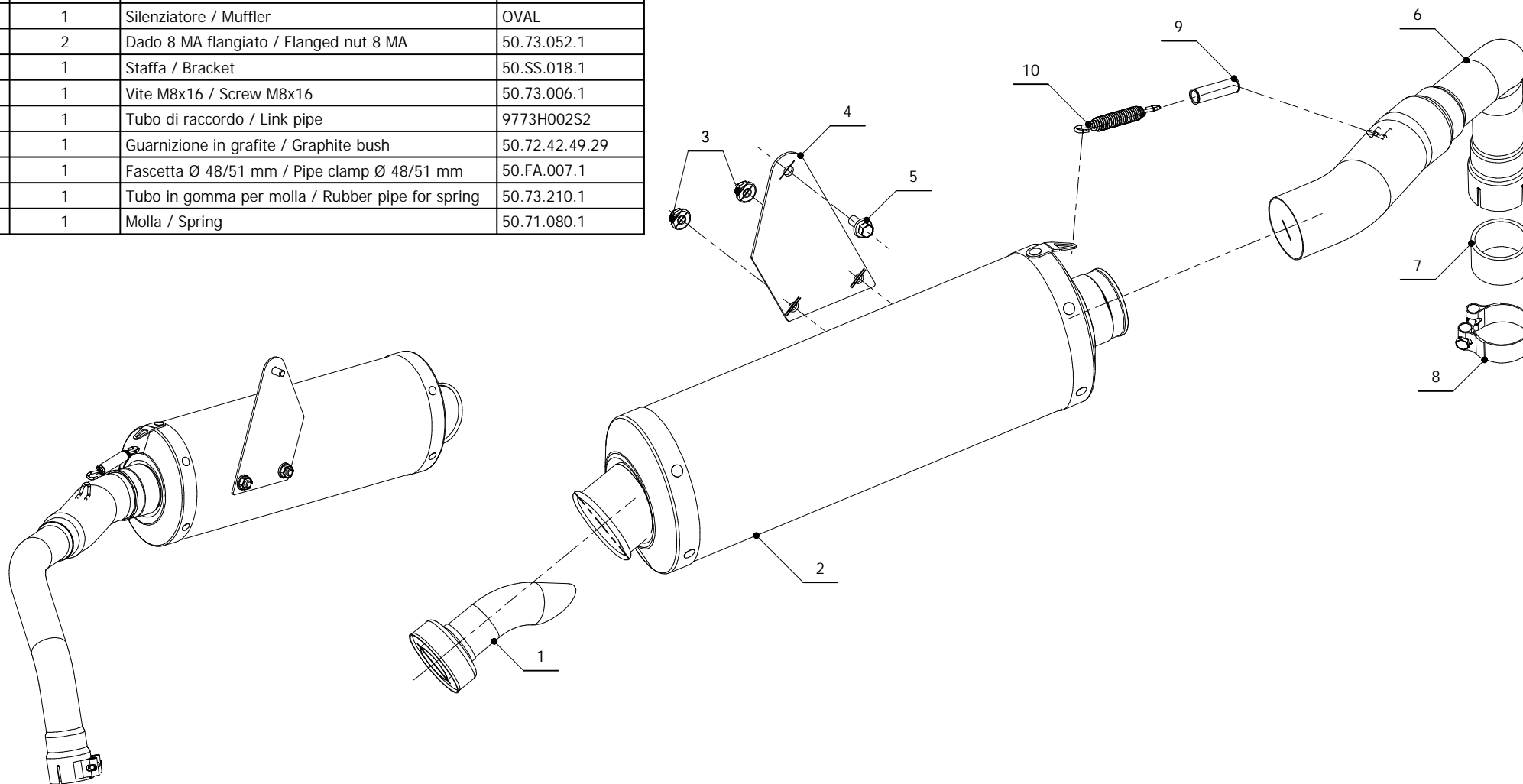
LINE SPORT

MUFFLER OVAL

SCHEMATIC

ELENCO PARTI / PARTS LIST

#	QTA / QTY	DESCRIZIONE / DESCRIPTION	CODICE / CODE
1	1	DB killer / DB killer	50.DK.020.0
2	1	Silenziatore / Muffler	OVAL
3	2	Dado 8 MA flangiato / Flanged nut 8 MA	50.73.052.1
4	1	Staffa / Bracket	50.SS.018.1
5	1	Vite M8x16 / Screw M8x16	50.73.006.1
6	1	Tubo di raccordo / Link pipe	9773H002S2
7	1	Guarnizione in grafite / Graphite bush	50.72.42.49.29
8	1	Fascetta Ø 48/51 mm / Pipe clamp Ø 48/51 mm	50.FA.007.1
9	1	Tubo in gomma per molla / Rubber pipe for spring	50.73.210.1
10	1	Molla / Spring	50.71.080.1



APPLICAZIONI / APPLICATIONS

CODICE / CODE	TUBO / PIPE	SILENZIATORE / MUFFLER	FASCETTA / CLAMP	CODICE OMOL. / HOMOL.CODE
H.018.LE	INOX / ST.STEEL	CARBONIO / CARBON FIBER	INOX / ST.STEEL	ME003 e1 0318
H.018.LN	INOX / ST.STEEL	TITANIO / TITANIUM	INOX / ST.STEEL	ME003 e1 0318