



MODEL HONDA XL 650 V TRANSALP **YEAR** 2000-2004

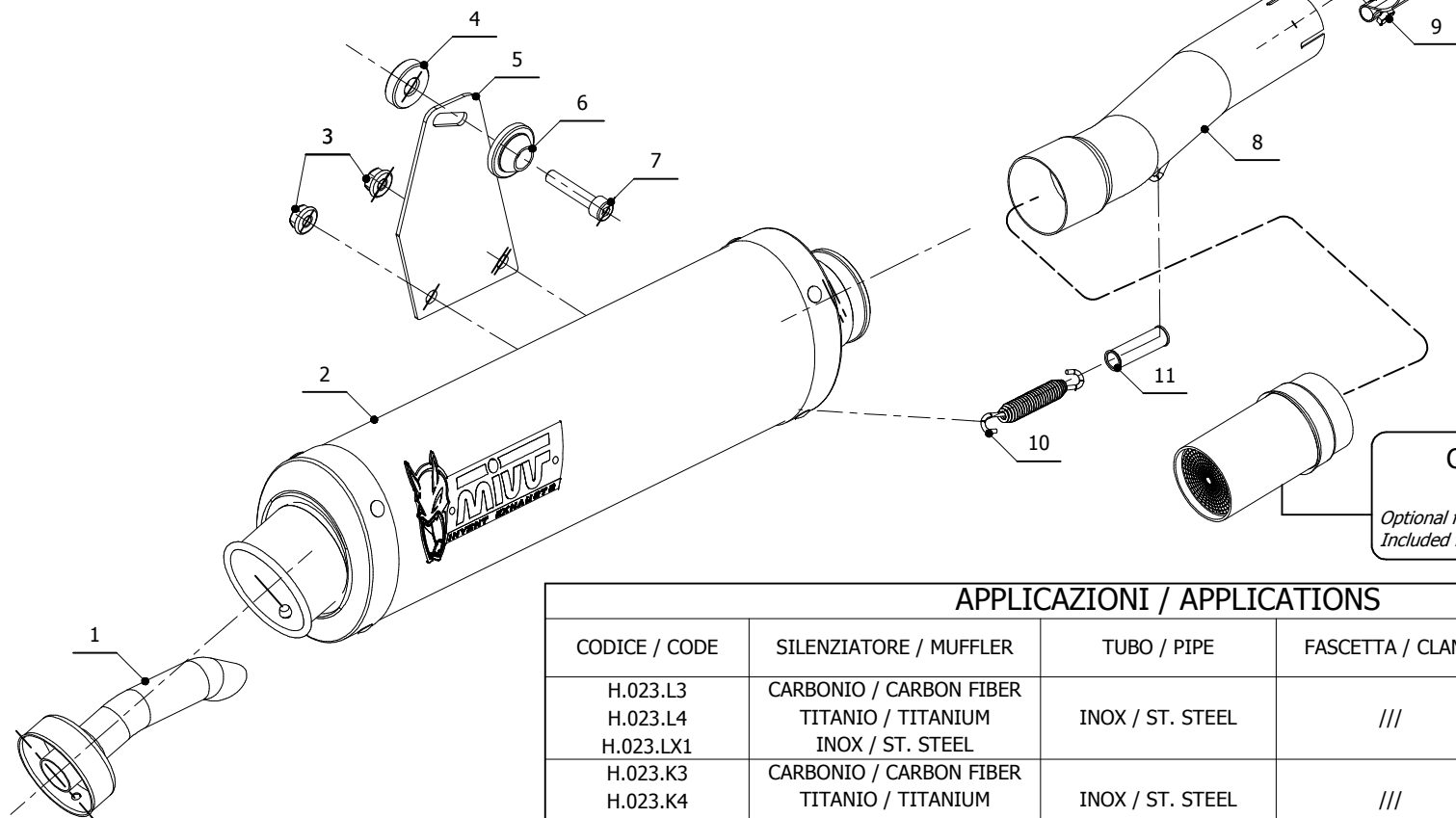
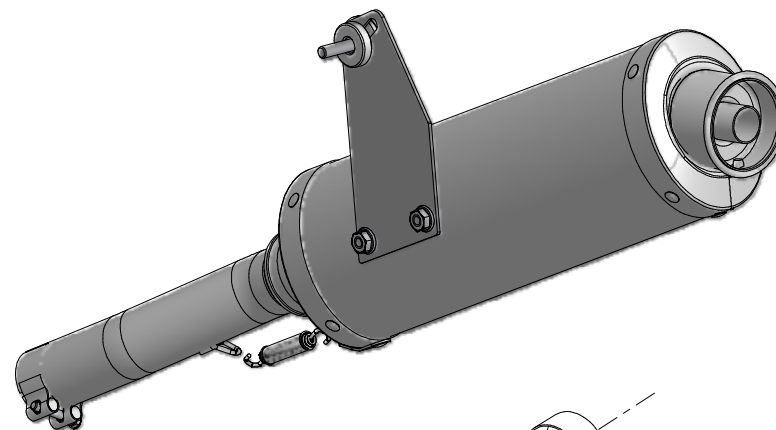
LINE SLIP ON

MUFFLER OVAL

SCHEMATIC

ELENCO PARTI / PARTS LIST

#	QTÀ / QTY	DESCRIZIONE / DESCRIPTION	CODICE / CODE
1	1	DB killer / DB killer	50.DK.021.0
2	1	Silenziatore / Muffler	OVAL 390
3	2	Dado M8 flangiato / Flanged nut M8	50.73.393.1
4	1	Distanziale in alluminio / Aluminium spacer(Øe.30 Øi.10,5 h.8)	50.SS.061.1
5	1	Staffa / Bracket	50.SS.111.1
6	1	Rondella in alluminio / Aluminium washer	50.73.063.1
7	1	Vite M8x40 / Screw M8x40	50.73.075.1
8	1	Tubo di raccordo / Link pipe	9773H023S2
9	1	Fascetta Ø 44/47 mm / Pipe clamp Ø 44/47 mm	50.FA.006.1
10	1	Molla lunga / Long spring	50.71.080.1
11	1	Tubo in gomma per molla / Rubber pipe for spring	50.73.210.1



Catalytic Converter
Cod. ACC.033.A1
Optional for H.023.L3 - H.023.L4 - H.023.LX1
Included in H.023.K3 - H.023.K4 - H.023.KX1

APPLICAZIONI / APPLICATIONS

CODICE / CODE	SILENZIATORE / MUFFLER	TUBO / PIPE	FASCETTA / CLAMP	NOTE
H.023.L3 H.023.L4 H.023.LX1	CARBONIO / CARBON FIBER TITANIO / TITANIUM INOX / ST. STEEL	INOX / ST. STEEL	///	CATALYTIC CONVERTER NOT INCLUDED
H.023.K3 H.023.K4 H.023.KX1	CARBONIO / CARBON FIBER TITANIO / TITANIUM INOX / ST. STEEL	INOX / ST. STEEL	///	CATALYTIC CONVERTER INCLUDED