



MODEL HONDA XL 650 V TRANSALP **YEAR** 2000-2004

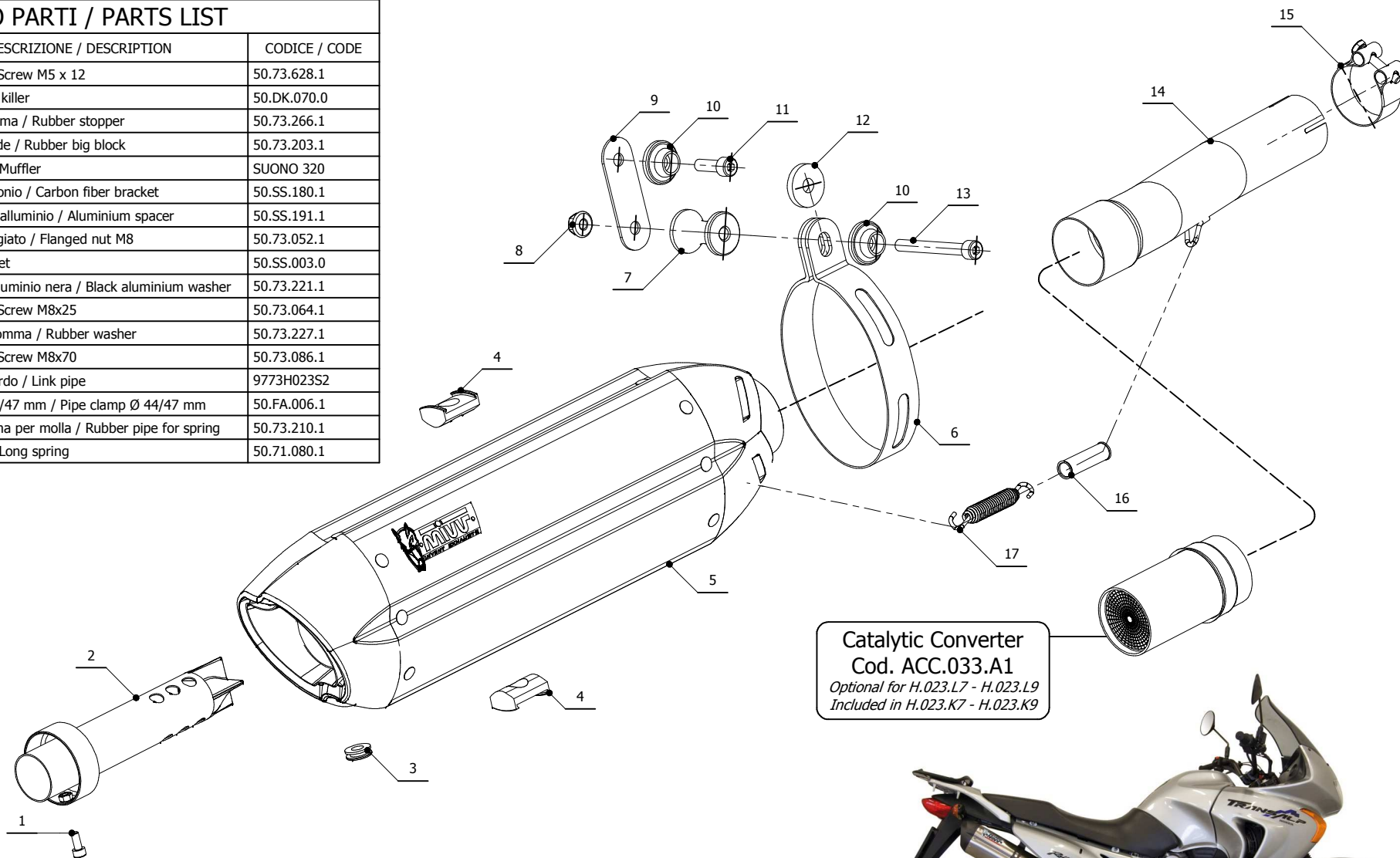
LINE SLIP ON

MUFFLER SUONO

SCHEMATIC

ELENCO PARTI / PARTS LIST

#	QTÀ / QTY	DESCRIZIONE / DESCRIPTION	CODICE / CODE
1	1	Vite M5x12 / Screw M5 x 12	50.73.628.1
2	1	DB killer / DB killer	50.DK.070.0
3	1	Tappo in gomma / Rubber stopper	50.73.266.1
4	2	Tassello grande / Rubber big block	50.73.203.1
5	1	Silenziatore / Muffler	SUONO 320
6	1	Staffa in carbonio / Carbon fiber bracket	50.SS.180.1
7	1	Distanziale in alluminio / Aluminium spacer	50.SS.191.1
8	1	Dado M8 flangiato / Flanged nut M8	50.73.052.1
9	1	Staffa / Bracket	50.SS.003.0
10	2	Rondella in alluminio nera / Black aluminium washer	50.73.221.1
11	1	Vite M8x25 / Screw M8x25	50.73.064.1
12	1	Rondella in gomma / Rubber washer	50.73.227.1
13	1	Vite M8x70 / Screw M8x70	50.73.086.1
14	1	Tubo di raccordo / Link pipe	9773H023S2
15	1	Fascetta Ø 44/47 mm / Pipe clamp Ø 44/47 mm	50.FA.006.1
16	1	Tubo in gomma per molla / Rubber pipe for spring	50.73.210.1
17	1	Molla lunga / Long spring	50.71.080.1



Catalytic Converter
Cod. ACC.033.A1
Optional for H.023.L7 - H.023.L9
Included in H.023.K7 - H.023.K9



APPLICAZIONI / APPLICATIONS

CODICE / CODE	SILENZIATORE / MUFFLER	TUBO / PIPE	FASCETTA / CLAMP	NOTE
H.023.L7 H.023.L9	INOX (COPPE CARBONIO) / ST. STEEL (CARBON CAPS) STEEL BLACK	INOX / ST. STEEL	CARBONIO / CARBON FIBER	CATALYTIC CONVERTER NOT INCLUDED
H.023.K7 H.023.K9	INOX (COPPE CARBONIO) / ST. STEEL (CARBON CAPS) STEEL BLACK	INOX / ST. STEEL	CARBONIO / CARBON FIBER	CATALYTIC CONVERTER INCLUDED