



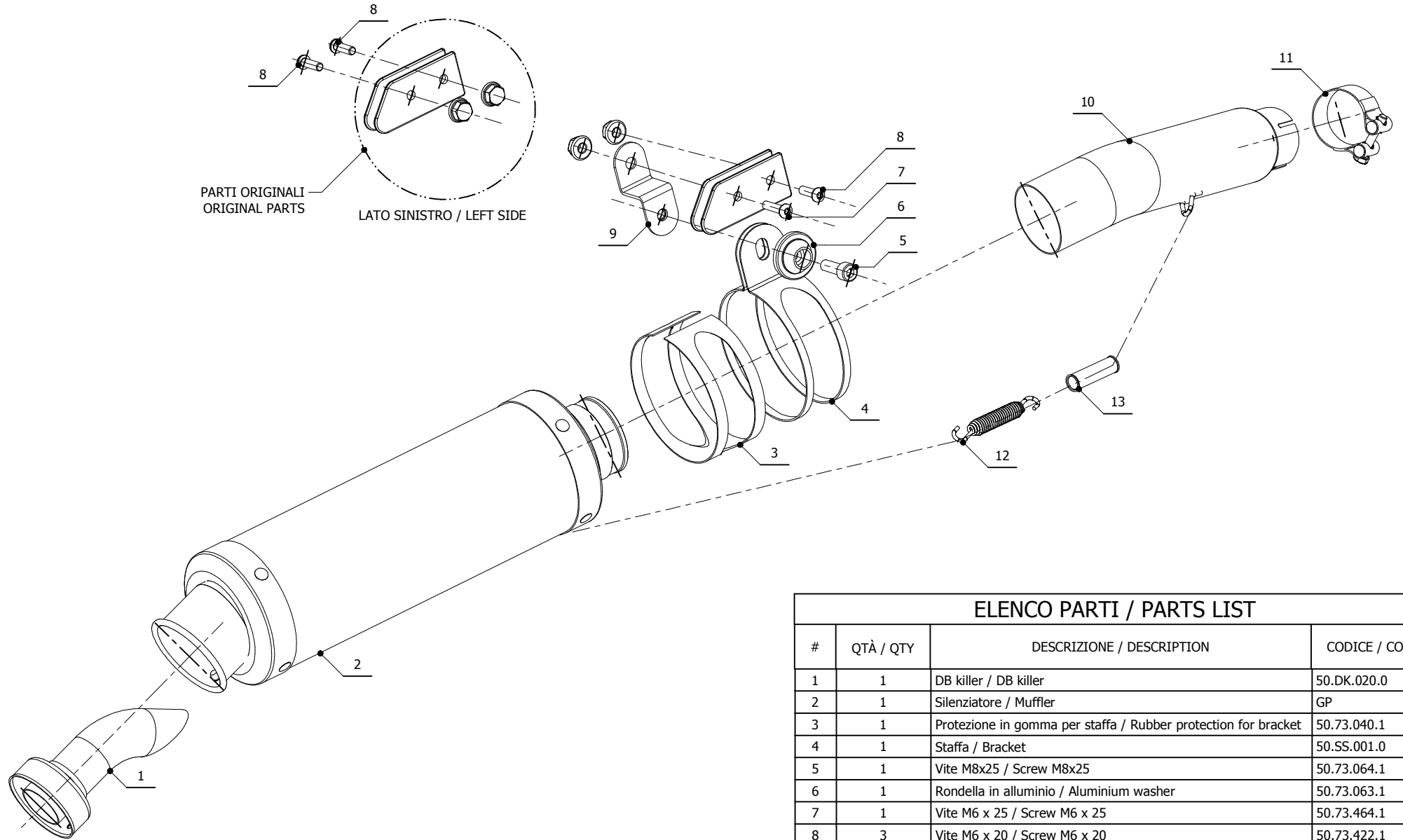
**MODEL** HONDA HORNET 600  
HONDA CBR 600 F

**YEAR** 2007-->  
2011-->

**LINE** SPORT

**MUFFLER** GP

**SCHEMATIC**



**ELENCO PARTI / PARTS LIST**

#	QTÀ / QTY	DESCRIZIONE / DESCRIPTION	CODICE / CODE
1	1	DB killer / DB killer	50.DK.020.0
2	1	Silenziatore / Muffler	GP
3	1	Protezione in gomma per staffa / Rubber protection for bracket	50.73.040.1
4	1	Staffa / Bracket	50.SS.001.0
5	1	Vite M8x25 / Screw M8x25	50.73.064.1
6	1	Rondella in alluminio / Aluminium washer	50.73.063.1
7	1	Vite M6 x 25 / Screw M6 x 25	50.73.464.1
8	3	Vite M6 x 20 / Screw M6 x 20	50.73.422.1
9	1	Staffa / Bracket	50.SS.091.0
10	1	Tubo di raccordo / Link pipe	9773H038S2
11	1	Fascetta Ø 44/47 mm / Pipe clamp Ø 44/47 mm	50.FA.006.1
12	1	Molla / Spring	50.71.080.1
13	1	Tubo in gomma per molla / Rubber pipe for spring	50.73.210.1

**APPLICAZIONI / APPLICATIONS**

CODICE / CODE	TUBO / PIPE	SILENZIATORE / MUFFLER	FASCETTA / CLAMP
H.038.L2S	INOX / ST. STEEL	CARBONIO / CARBON FIBER	INOX / ST. STEEL
H.038.L6S	INOX / ST. STEEL	TITANIO / TITANIUM	INOX / ST. STEEL