



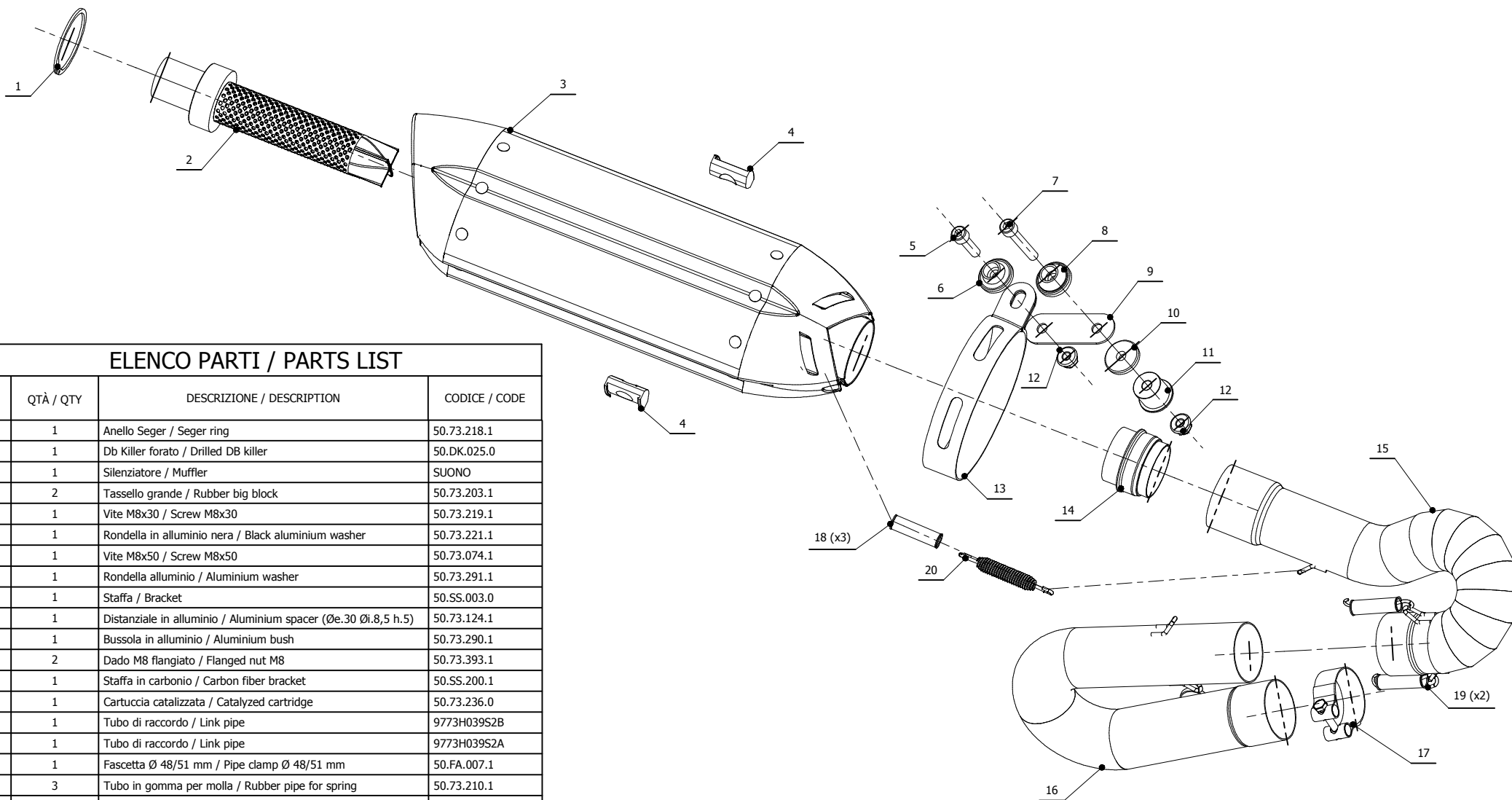
**MODEL** HONDA CBR 1000 RR

**YEAR** 2008-2013

**LINE** SPORT

**MUFFLER** SUONO KAT

**SCHEMATIC**



**ELENCO PARTI / PARTS LIST**

#	QTÀ / QTY	DESCRIZIONE / DESCRIPTION	CODICE / CODE
1	1	Anello Seger / Seger ring	50.73.218.1
2	1	Db Killer forato / Drilled DB killer	50.DK.025.0
3	1	Silenziatore / Muffler	SUONO
4	2	Tassello grande / Rubber big block	50.73.203.1
5	1	Vite M8x30 / Screw M8x30	50.73.219.1
6	1	Rondella in alluminio nera / Black aluminium washer	50.73.221.1
7	1	Vite M8x50 / Screw M8x50	50.73.074.1
8	1	Rondella alluminio / Aluminium washer	50.73.291.1
9	1	Staffa / Bracket	50.SS.003.0
10	1	Distanziale in alluminio / Aluminium spacer (Øe.30 Øi.8,5 h.5)	50.73.124.1
11	1	Bussola in alluminio / Aluminium bush	50.73.290.1
12	2	Dado M8 flangiato / Flanged nut M8	50.73.393.1
13	1	Staffa in carbonio / Carbon fiber bracket	50.SS.200.1
14	1	Cartuccia catalizzata / Catalyzed cartridge	50.73.236.0
15	1	Tubo di raccordo / Link pipe	9773H039S2B
16	1	Tubo di raccordo / Link pipe	9773H039S2A
17	1	Fascetta Ø 48/51 mm / Pipe clamp Ø 48/51 mm	50.FA.007.1
18	3	Tubo in gomma per molla / Rubber pipe for spring	50.73.210.1
19	2	Molla corta / Short Spring	50.73.123.1
20	1	Molla media / Middle spring	50.73.359.1

**APPLICAZIONI / APPLICATIONS**

CODICE / CODE	TUBO / PIPE	SILENZIATORE / MUFFLER	FASCETTA / CLAMP
H.039.K7	INOX / ST. STEEL	INOX (COPPE CARBONIO) / ST. STEEL (CARBON CAPS)	CARBONIO / CARBON FIBER
H.039.K9	INOX / ST. STEEL	STEEL BLACK	CARBONIO / CARBON FIBER