



MODEL HONDA CBR 250 R

YEAR 2011 -->

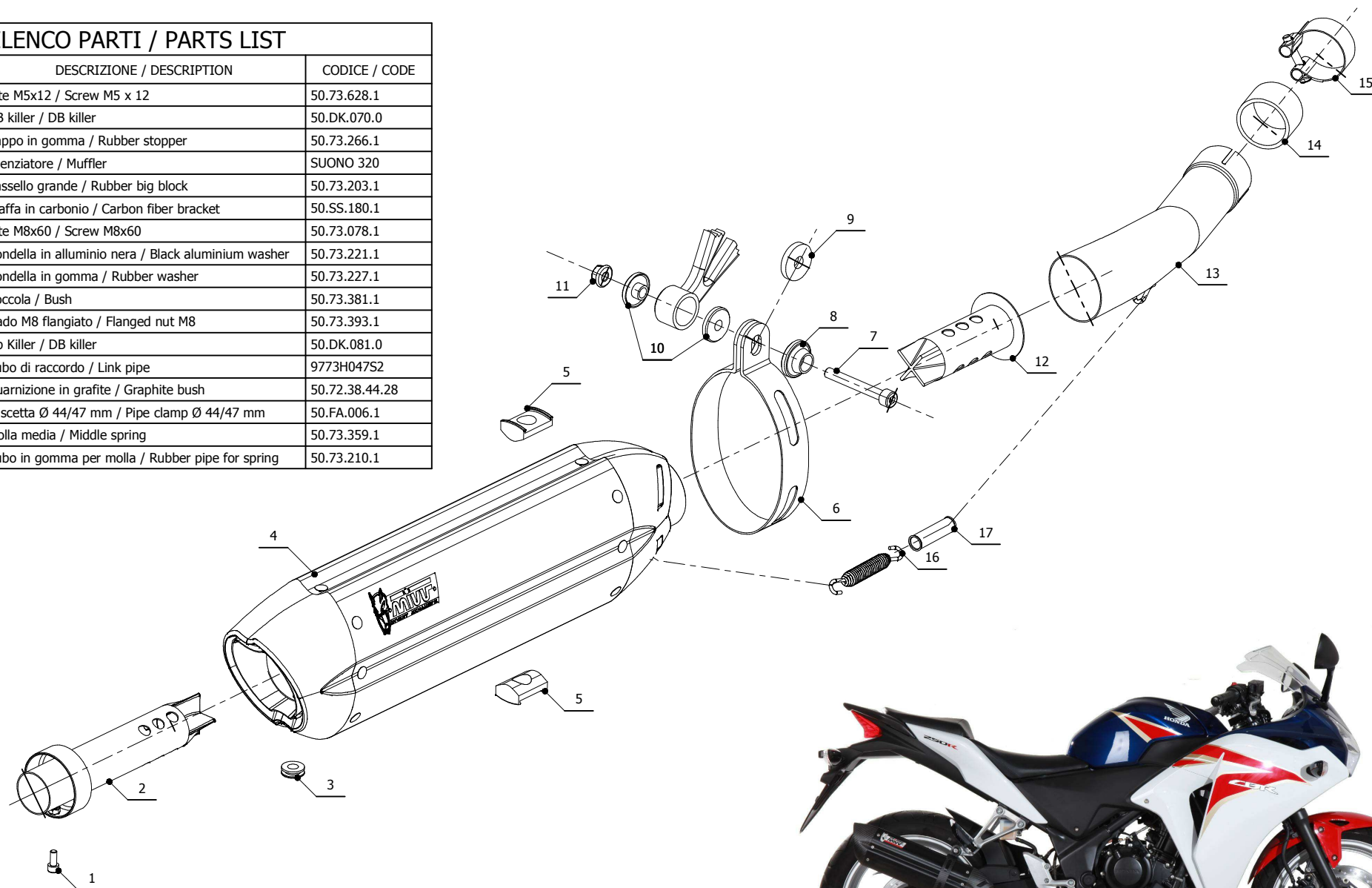
LINE SPORT

MUFFLER SUONO

SCHEMATIC

ELENCO PARTI / PARTS LIST

#	QTÀ / QTY	DESCRIZIONE / DESCRIPTION	CODICE / CODE
1	1	Vite M5x12 / Screw M5 x 12	50.73.628.1
2	1	DB killer / DB killer	50.DK.070.0
3	1	Tappo in gomma / Rubber stopper	50.73.266.1
4	1	Silenziatore / Muffler	SUONO 320
5	2	Tassello grande / Rubber big block	50.73.203.1
6	1	Staffa in carbonio / Carbon fiber bracket	50.SS.180.1
7	1	Vite M8x60 / Screw M8x60	50.73.078.1
8	1	Rondella in alluminio nera / Black aluminium washer	50.73.221.1
9	1	Rondella in gomma / Rubber washer	50.73.227.1
10	2	Boccola / Bush	50.73.381.1
11	1	Dado M8 flangiato / Flanged nut M8	50.73.393.1
12	1	Db Killer / DB killer	50.DK.081.0
13	1	Tubo di raccordo / Link pipe	9773H047S2
14	1	Guarnizione in grafite / Graphite bush	50.72.38.44.28
15	1	Fascetta Ø 44/47 mm / Pipe clamp Ø 44/47 mm	50.FA.006.1
16	1	Molla media / Middle spring	50.73.359.1
17	1	Tubo in gomma per molla / Rubber pipe for spring	50.73.210.1



APPLICAZIONI / APPLICATIONS

CODICE / CODE	TUBO / PIPE	SILENZIATORE / MUFFLER	FASCETTA / CLAMP
H.047.L7 H.047.L9	INOX / ST. STEEL	INOX (COPPE CARBONIO) / ST. STEEL (CARBON CAPS) STEEL BLACK	CARBONIO / CARBON FIBER