



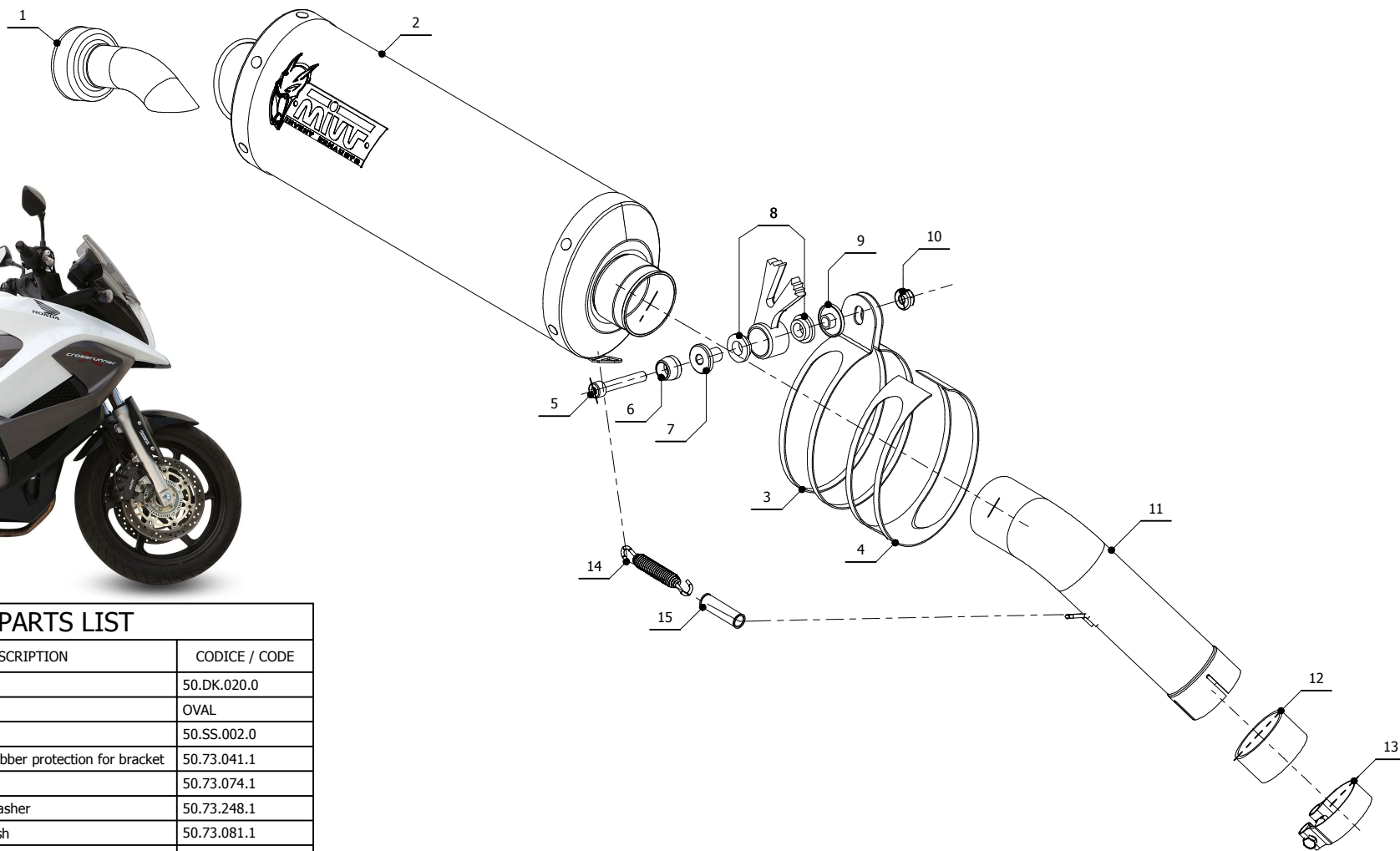
MODEL HONDA CROSSRUNNER

YEAR 2011 -->

LINE SPORT

MUFFLER OVAL

SCHEMATIC



ELENCO PARTI / PARTS LIST

#	QTÀ / QTY	DESCRIZIONE / DESCRIPTION	CODICE / CODE
1	1	DB killer / DB killer	50.DK.020.0
2	1	Silenziatore / Muffler	OVAL
3	1	Staffa / Bracket	50.SS.002.0
4	1	Protezione in gomma per staffa / Rubber protection for bracket	50.73.041.1
5	1	Vite M8x50 / Screw M8x50	50.73.074.1
6	1	Rondella in alluminio / Aluminium washer	50.73.248.1
7	1	Bussola in alluminio / Aluminium bush	50.73.081.1
8	2	Silentblock / Silentblock	50.73.380.1
9	1	Boccola / Bush	50.73.381.1
10	1	Dado M8 flangiato / Flanged nut M8	50.73.393.1
11	1	Tubo di raccordo / Link pipe	9773H053S2
12	1	Guarnizione in grafite / Graphite bush	50.72.48.54.30
13	1	Fascetta Ø 52/55 mm / Pipe clamp Ø 52/55 mm	50.FA.008.1
14	1	Molla media / Middle spring	50.73.359.1
15	1	Tubo in gomma per molla / Rubber pipe for spring	50.73.210.1

APPLICAZIONI / APPLICATIONS

CODICE / CODE	TUBO / PIPE	SILENZIATORE / MUFFLER	FASCETTA / CLAMP	CODICE OMOL. / HOMOL.CODE
H.053.LX2	INOX / ST.STEEL	INOX / ST.STEEL	INOX / ST.STEEL	ME008 e9 1176

