



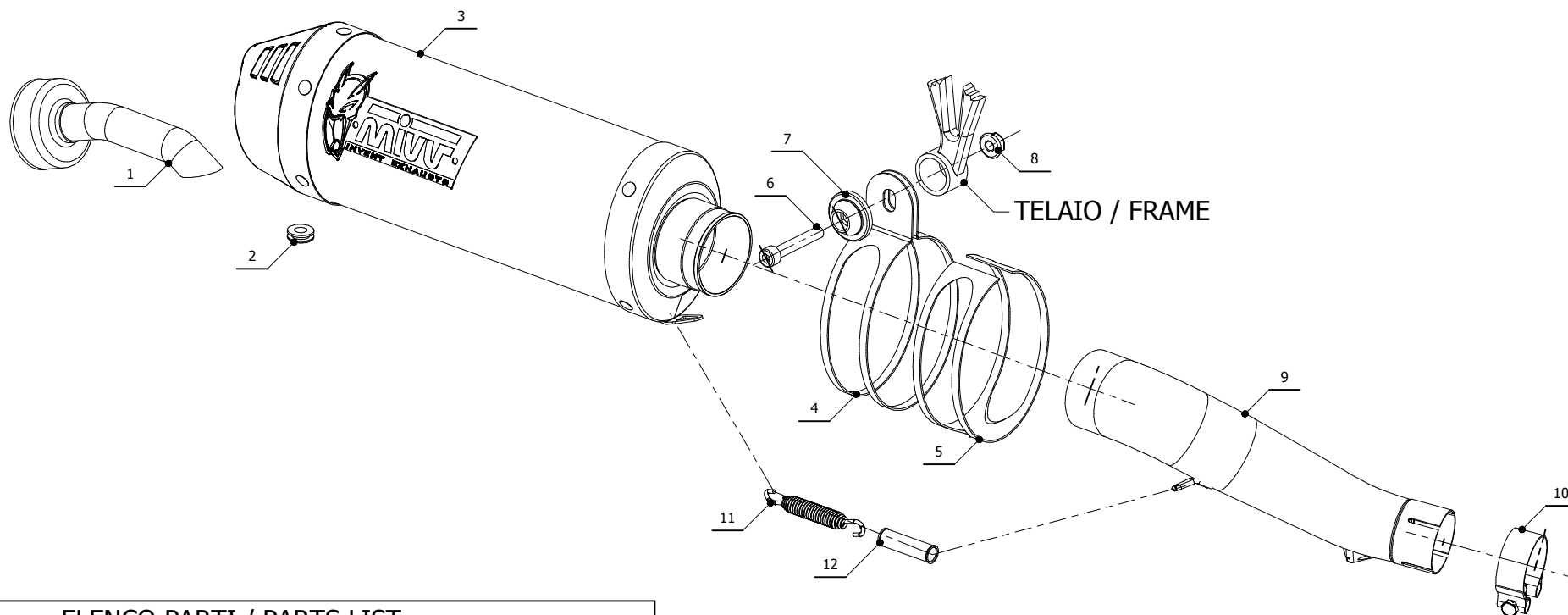
MODEL HONDA CB 500 X

YEAR 2016

LINE SLIP ON

MUFFLER OVAL CARBON CAP

SCHEMATIC



ELENCO PARTI / PARTS LIST

#	QTÀ / QTY	DESCRIZIONE / DESCRIPTION	CODICE / CODE
1	1	DB killer / DB killer	50.DK.021.0
2	1	Tappo in gomma / Rubber stopper	50.73.266.1
3	1	Silenziatore / Muffler	OVAL CARBON CAP 300
4	1	Staffa / Bracket	50.SS.030.0
5	1	Protezione in gomma per staffa / Rubber protection for bracket	50.73.077.1
6	1	Vite M8x50 / Screw M8x50	50.73.074.1
7	1	Rondella in alluminio / Aluminium washer	50.73.063.1
8	1	Dado M8 flangiato / Flanged nut M8	50.73.393.1
9	1	Tubo di raccordo / Link pipe	9773H061S2
10	1	Fascetta Ø 44/47 mm / Pipe clamp Ø 44/47 mm	50.FA.006.1
11	1	Molla media / Middle spring	50.73.359.1
12	1	Tubo in gomma per molla / Rubber pipe for spring	50.73.210.1

APPLICAZIONI / APPLICATIONS

CODICE / CODE	SILENZIATORE / MUFFLER	TUBO / PIPE	FASCETTA / CLAMP
H.061.L3C	CARBONIO (COPPA CARBONIO) / CARBON (CARBON CAP)	INOX / ST.STEEL	INOX / ST.STEEL
H.061.L4C	TITANIO (COPPA CARBONIO) / TITANIUM (CARBON CAP)	INOX / ST.STEEL	INOX / ST.STEEL

