

PRODUCT SHEET

KAWASAKI ER-6n/f

2005 > 2011

LINE SPORT - SLIP ON SYSTEMS





Kawasaki

KAWASAKI ER-6n/f
2005 > 2011
SPORT - SLIP ON SYSTEMS

	Kit	Type	Shape	Level	Homologated
K.015.LN	SLIP-ON	TITANIUM	OVAL	STANDARD LEVEL	<input checked="" type="checkbox"/>
K.015.LE	SLIP-ON	CARBON	OVAL	STANDARD LEVEL	<input checked="" type="checkbox"/>
K.015.LC3	SLIP-ON	STAINLESS STEEL	X-CONE	STANDARD LEVEL	<input checked="" type="checkbox"/>
K.015.LGX	SLIP-ON	STAINLESS STEEL	GHIBLI	STANDARD LEVEL	<input checked="" type="checkbox"/>



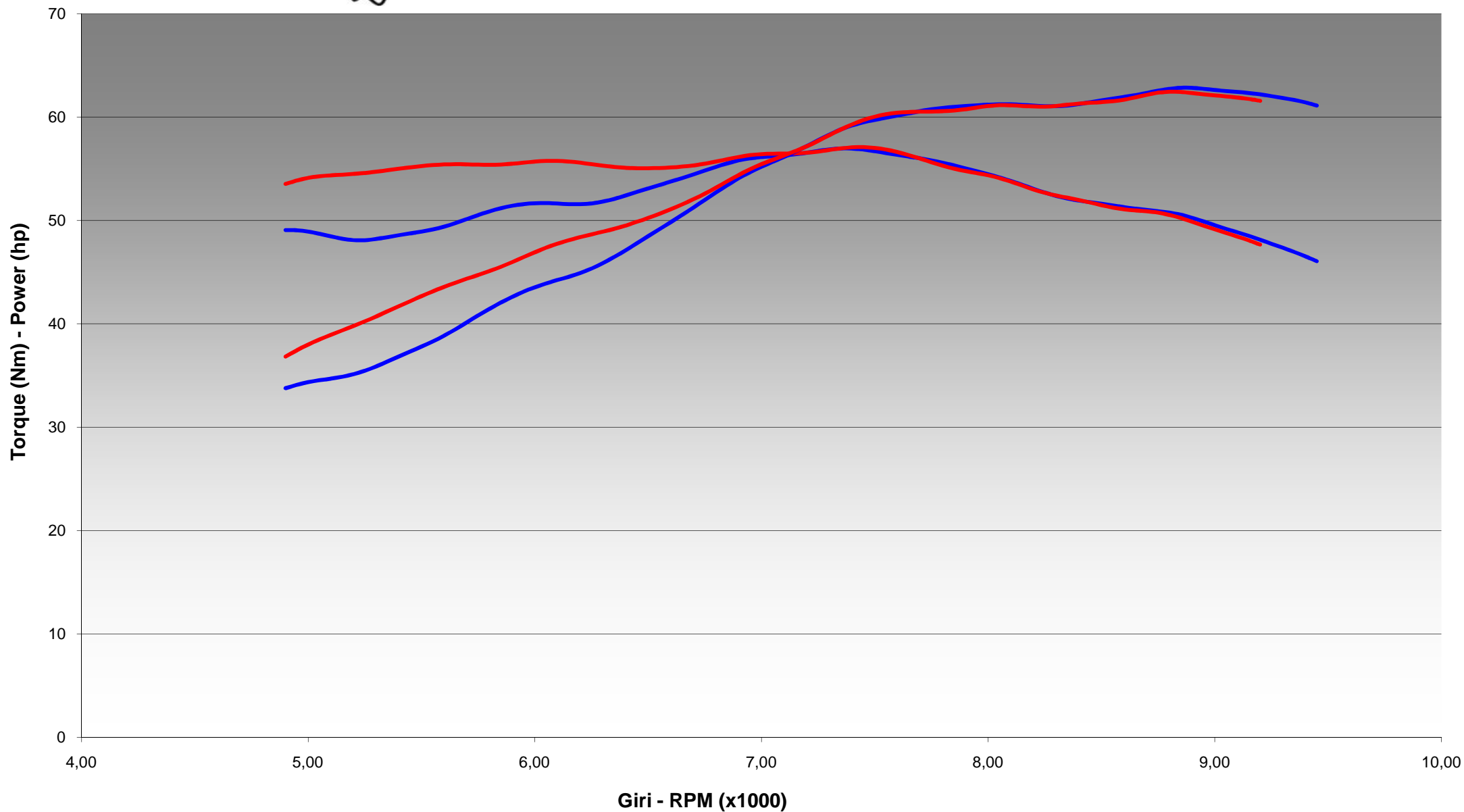
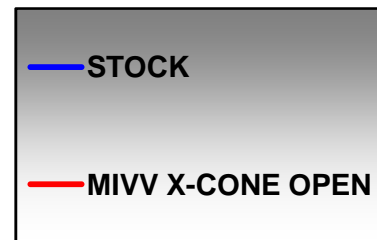


DYNOCHART

Model: **KAWASAKI ER-6N '05-**

Line: **SPORT**

Muffler: **X-CONE**



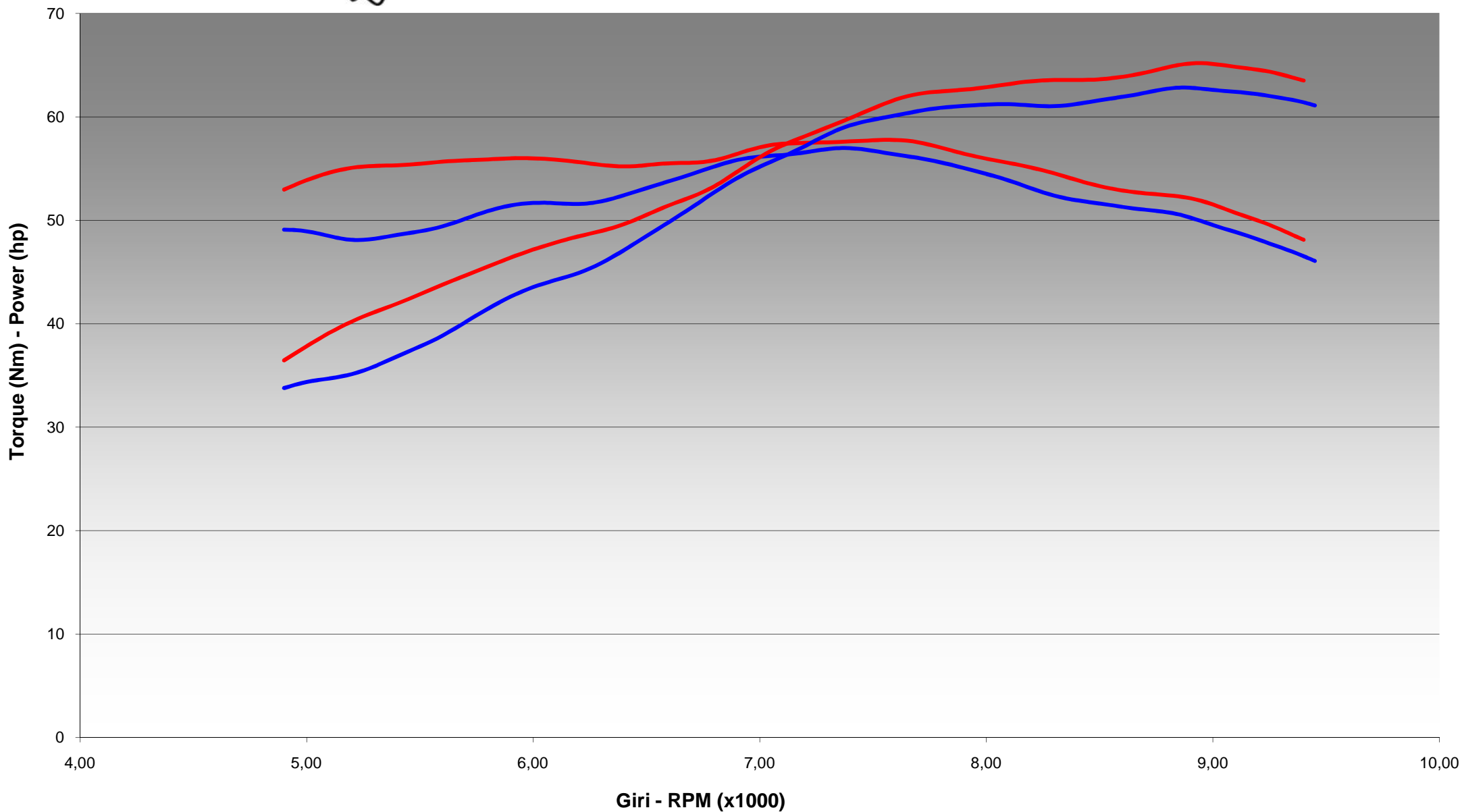
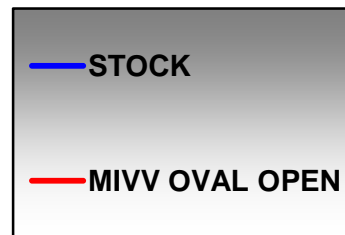


DYNOCHART

Model: **KAWASAKI ER-6N '05-**

Line: **SPORT**

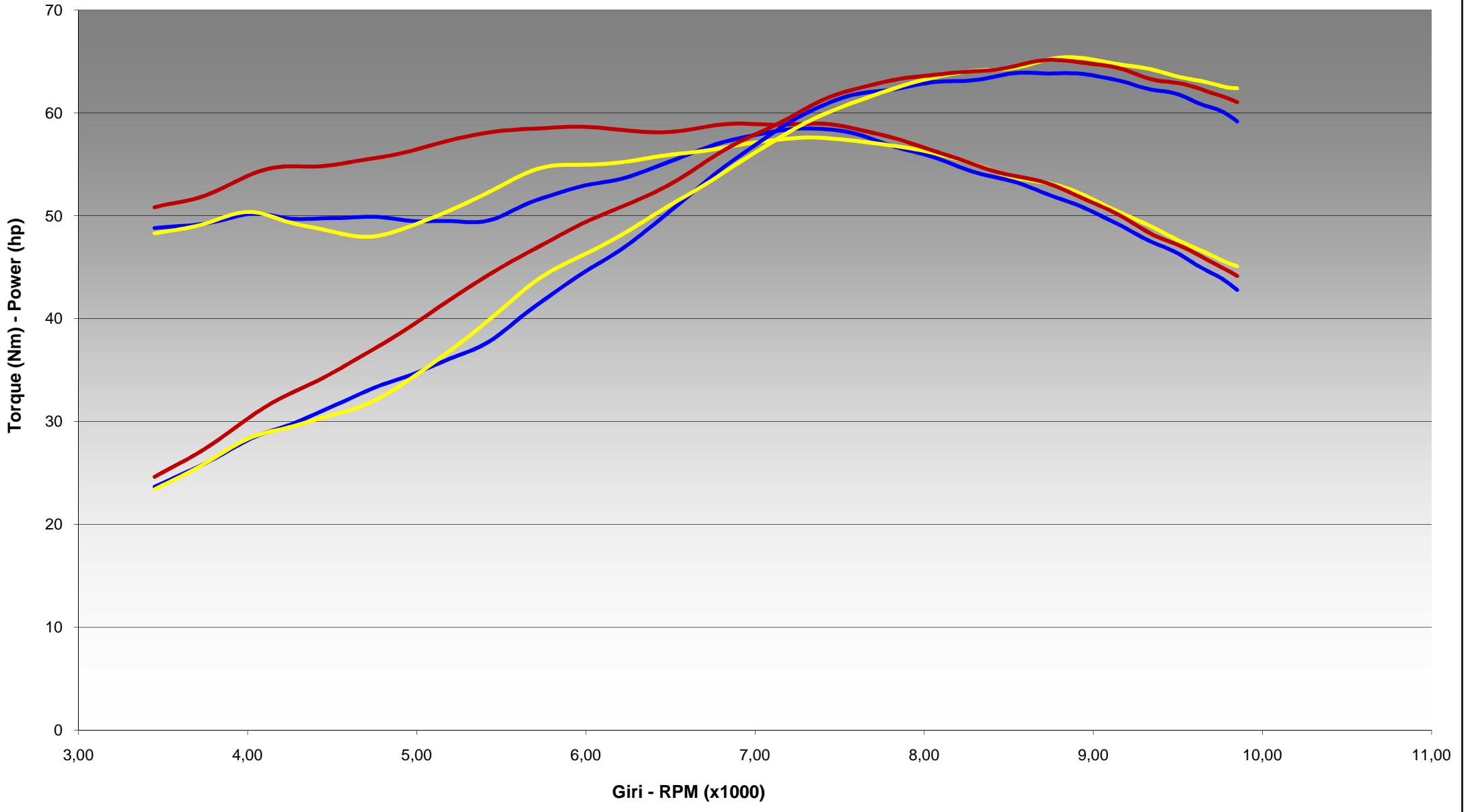
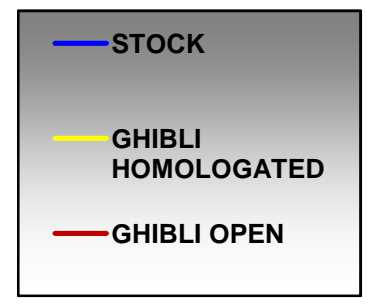
Muffler: **OVAL**





DYNOCHART

Model: **KAWASAKI ER-6nf '08**
Line: **SPORT**
Muffler: **GIBLI**





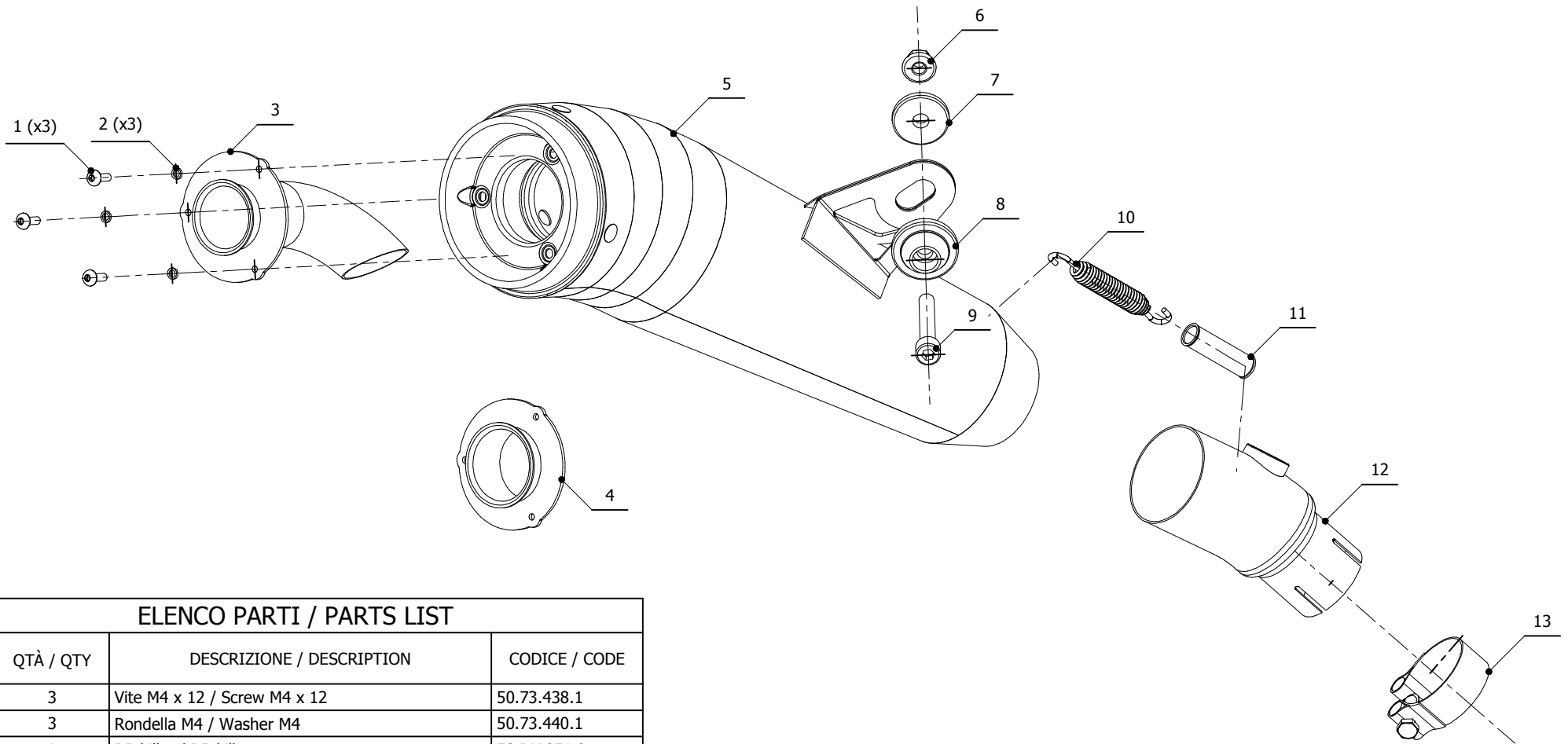
MODEL KAWASAKI ER-6f / Er-6n
KAWASAKI Versys 650

LINE SPORT

YEAR 2005-->
2006-->

MUFFLER GHIBLI

SCHEMATIC



ELENCO PARTI / PARTS LIST

#	QTÀ / QTY	DESCRIZIONE / DESCRIPTION	CODICE / CODE
1	3	Vite M4 x 12 / Screw M4 x 12	50.73.438.1
2	3	Rondella M4 / Washer M4	50.73.440.1
3	1	DB killer / DB killer	50.DK.051.0
4	1	DB killer racing / Racing DB killer	50.DK.052.0
5	1	Silenziatore / Muffler	GHIBLI
6	1	Dado 8 MA flangiato / Flanged nut 8 MA	50.73.052.1
7	1	Distanziale in alluminio / Aluminium spacer	50.73.124.1
8	1	Rondella in alluminio / Aluminium washer	50.73.063.1
9	1	Vite M8x50 / Screw M8x50	50.73.074.1
10	1	Molla / Spring	50.73.359.1
11	1	Tubo in gomma per molla / Rubber pipe for spring	50.73.210.1
12	1	Tubo di raccordo / Link pipe	9773K015SGX
13	1	Fascetta Ø 44/47 mm / Pipe clamp Ø 44/47 mm	50.FA.006.1

APPLICAZIONI / APPLICATIONS

CODICE / CODE	TUBO / PIPE	SILENZIATORE / MUFFLE	CODICE OMOL. / HOMOL. CODE
K.015.LGX	INOX / ST. STEEL	INOX / ST. STEEL	ME046 e9 1352



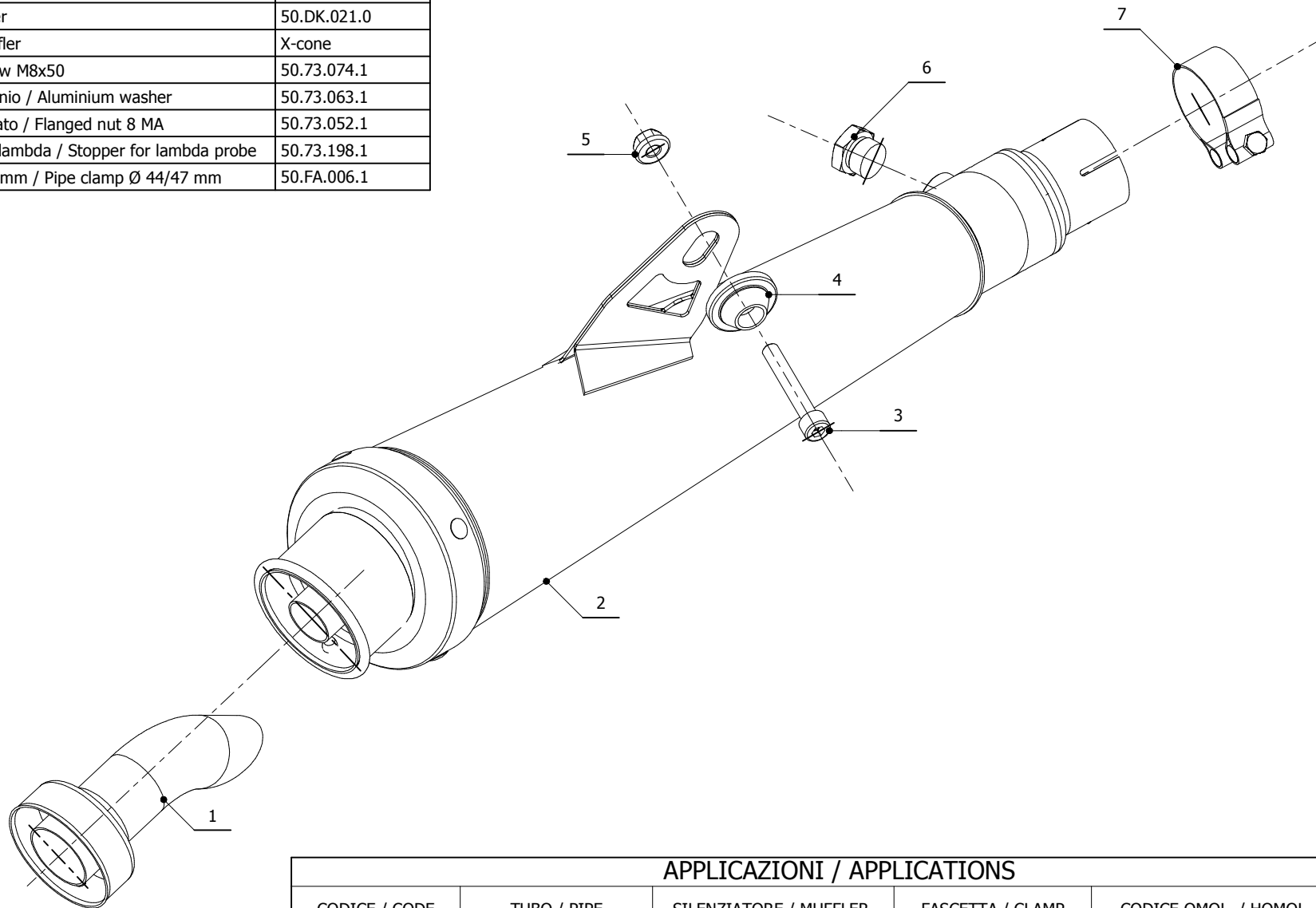
MODEL KAWASAKI ER-6n/f
KAWASAKI VERSYS 650
LINE SPORT

YEAR 2005-->
2006-->
MUFFLER X-CONE

SCHEMATIC

ELENCO PARTI / PARTS LIST

#	QTÀ / QTY	DESCRIZIONE / DESCRIPTION	CODICE / CODE
1	1	DB killer / DB killer	50.DK.021.0
2	1	Silenziatore / Muffler	X-cone
3	1	Vite M8x50 / Screw M8x50	50.73.074.1
4	1	Rondella in alluminio / Aluminium washer	50.73.063.1
5	1	Dado 8 MA flangiato / Flanged nut 8 MA	50.73.052.1
6	1	Tappo per sonda lambda / Stopper for lambda probe	50.73.198.1
7	1	Fascetta Ø 44/47 mm / Pipe clamp Ø 44/47 mm	50.FA.006.1



APPLICAZIONI / APPLICATIONS

CODICE / CODE	TUBO / PIPE	SILENZIATORE / MUFFLER	FASCETTA / CLAMP	CODICE OMOL. / HOMOL. CODE
K.015.LC3	INOX / ST. STEEL	INOX / ST. STEEL	---	ME046 e9 1352



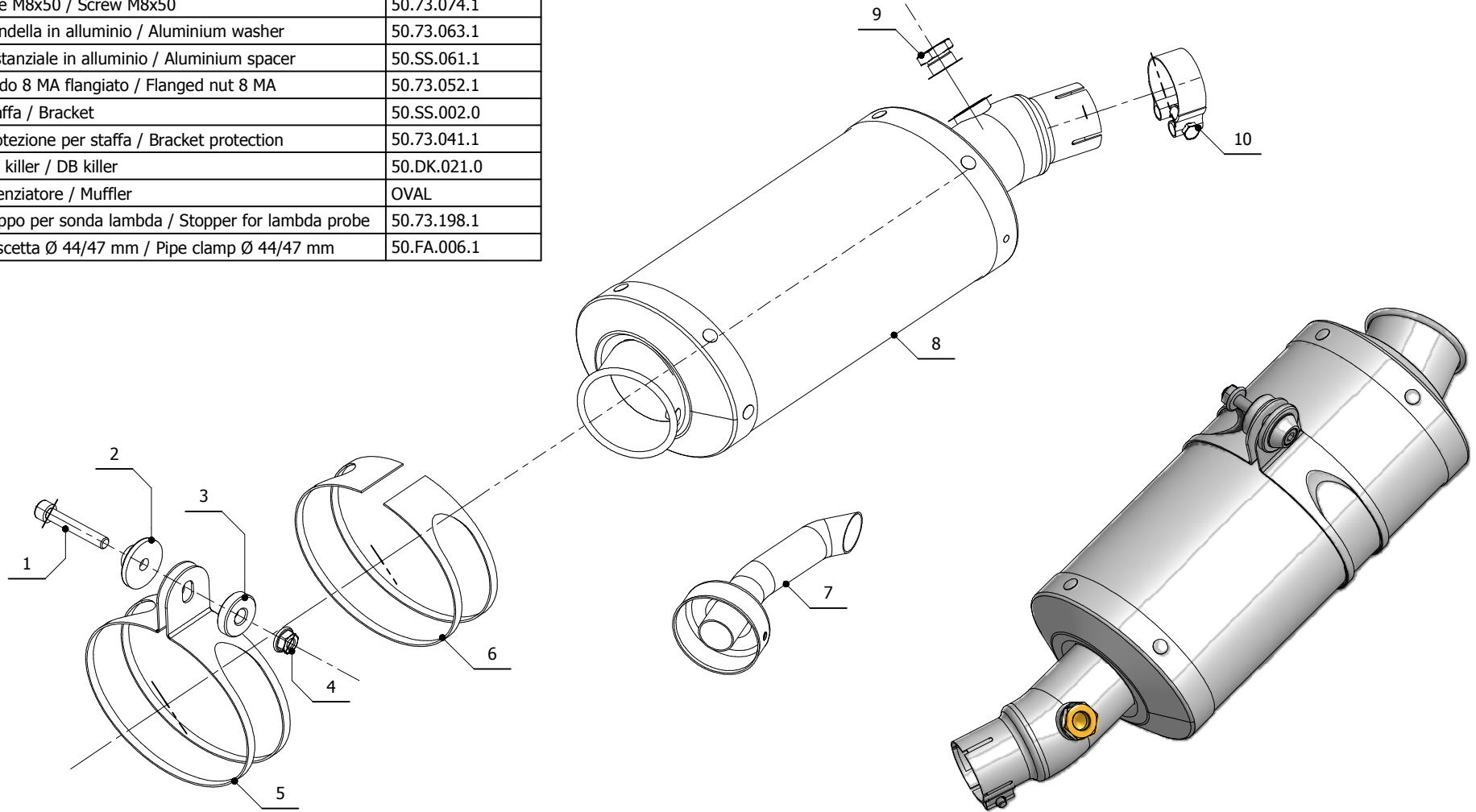
MODEL KAWASAKI ER-6f / Er-6n
KAWASAKI Versys 650
LINE SPORT

YEAR 2005-->
2006-->
MUFFLER OVAL

SCHEMATIC

ELENCO PARTI / PARTS LIST

#	QTÀ / QTY	DESCRIZIONE / DESCRIPTION	CODICE / CODE
1	1	Vite M8x50 / Screw M8x50	50.73.074.1
2	1	Rondella in alluminio / Aluminium washer	50.73.063.1
3	1	Distanziale in alluminio / Aluminium spacer	50.SS.061.1
4	1	Dado 8 MA flangiato / Flanged nut 8 MA	50.73.052.1
5	1	Staffa / Bracket	50.SS.002.0
6	1	Protezione per staffa / Bracket protection	50.73.041.1
7	1	DB killer / DB killer	50.DK.021.0
8	1	Silenziatore / Muffler	OVAL
9	1	Tappo per sonda lambda / Stopper for lambda probe	50.73.198.1
10	1	Fascetta Ø 44/47 mm / Pipe clamp Ø 44/47 mm	50.FA.006.1



APPLICAZIONI / APPLICATIONS

CODICE / CODE	TUBO / PIPE	SILENZIATORE / MUFFLER	FASCETTA / CLAMP	CODICE OMOL. / HOMOL. CODE
K.015.LE	INOX / ST. STEEL	CARBONIO / CARBON FIBER	INOX / ST. STEEL	ME046 e9 1352
K.015.LN	INOX / ST. STEEL	TITANIO / TITANIUM	INOX / ST. STEEL	ME046 e9 1352