

PRODUCT SHEET

KAWASAKI ZZR 1400

2006 > 2009

LINE SPORT - SLIP ON SYSTEMS





Kawasaki

KAWASAKI ZZR 1400
2006 > 2009
SPORT - SLIP ON SYSTEMS

	Kit	Type	Shape	Level	Homologated
K.023.LEC	2 SLIP-ON	CARBON	OVAL CARBON CAP	STANDARD LEVEL	<input checked="" type="checkbox"/>
K.023.LNC	2 SLIP-ON	TITANIUM	OVAL CARBON CAP	STANDARD LEVEL	<input checked="" type="checkbox"/>





MODEL KAWASAKI ZZR 1400

YEAR 2006-->

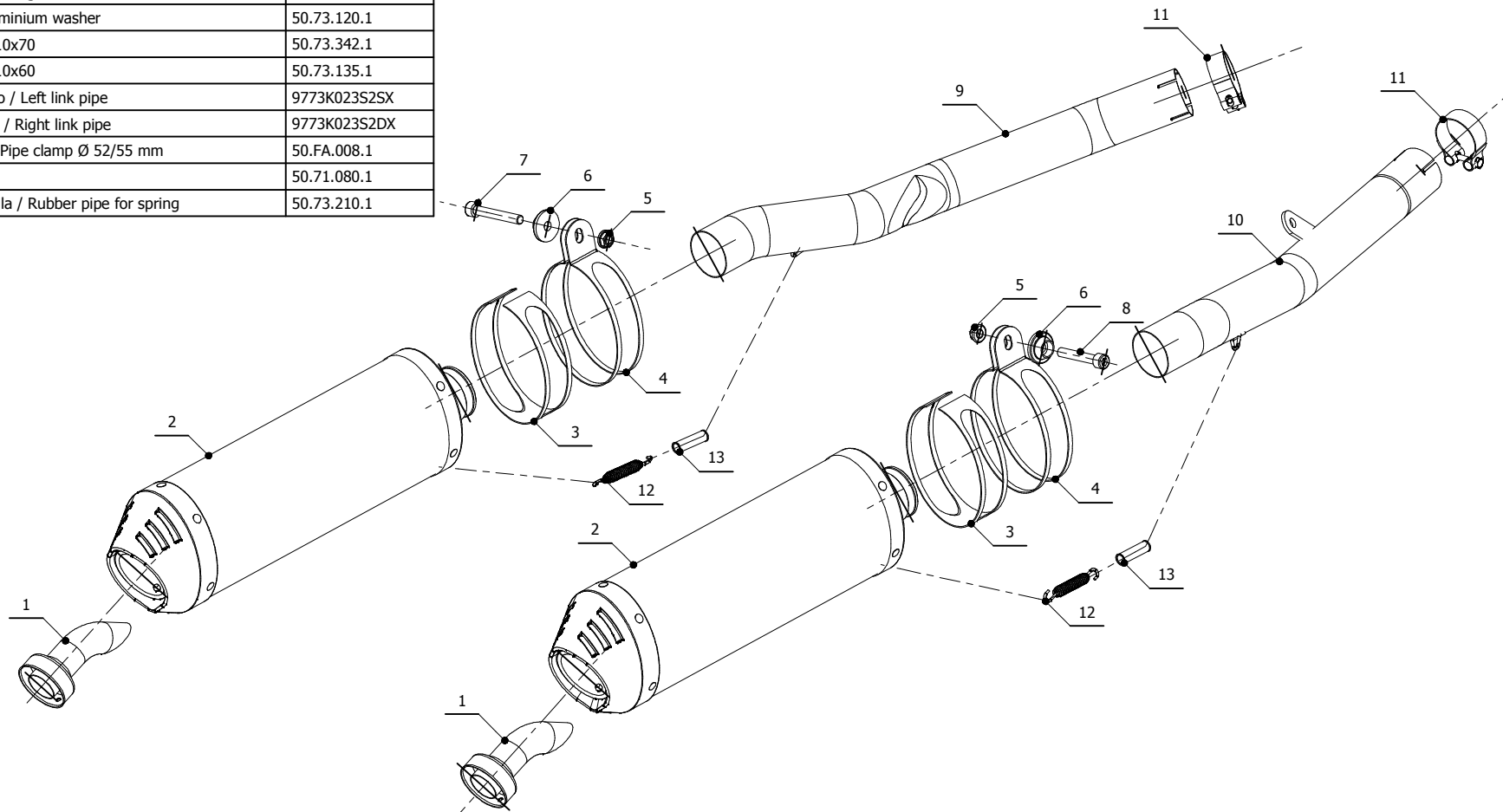
LINE SPORT

MUFFLER OVAL CARBON CAP

SCHEMATIC

ELENCO PARTI / PARTS LIST

#	QTÀ / QTY	DESCRIZIONE / DESCRIPTION	CODICE / CODE
1	2	DB killer / DB killer	50.DK.020.0
2	2	Silenziatore / Muffler	OVAL CARBON CAP
3	2	Protezione in gomma per staffa / Rubber protection for bracket	50.73.041.1
4	2	Staffa / Bracket	50.SS.002.0
5	2	Dado 10 MA flangiato / Flanged nut 10 MA	50.73.332.1
6	2	Rondella alluminio / Aluminium washer	50.73.120.1
7	1	Vite M10x70 / Screw M10x70	50.73.342.1
8	1	Vite M10x60 / Screw M10x60	50.73.135.1
9	1	Tubo di raccordo sinistro / Left link pipe	9773K023S2SX
10	1	Tubo di raccordo destro / Right link pipe	9773K023S2DX
11	2	Fascetta Ø 52/55 mm / Pipe clamp Ø 52/55 mm	50.FA.008.1
12	2	Molla / Spring	50.71.080.1
13	2	Tubo in gomma per molla / Rubber pipe for spring	50.73.210.1



APPLICAZIONI / APPLICATIONS

CODICE / CODE	TUBO / PIPE	SILENZIATORE / MUFFLER	FASCETTA / CLAMP	CODICE OMOL. / HOMOL.CODE
K.023.LEC	INOX / ST.STEEL	CARBONIO (COPPA CARBONIO) / CARBON (CARBON CAP)	INOX / ST.STEEL	ME029 e9 1221
K.023.LNC	INOX / ST.STEEL	TITANIO (COPPA CARBONIO) / TITANIUM (CARBON CAP)	INOX / ST.STEEL	ME029 e9 1221