



MODEL KAWASAKI NINJA 300

YEAR 2013

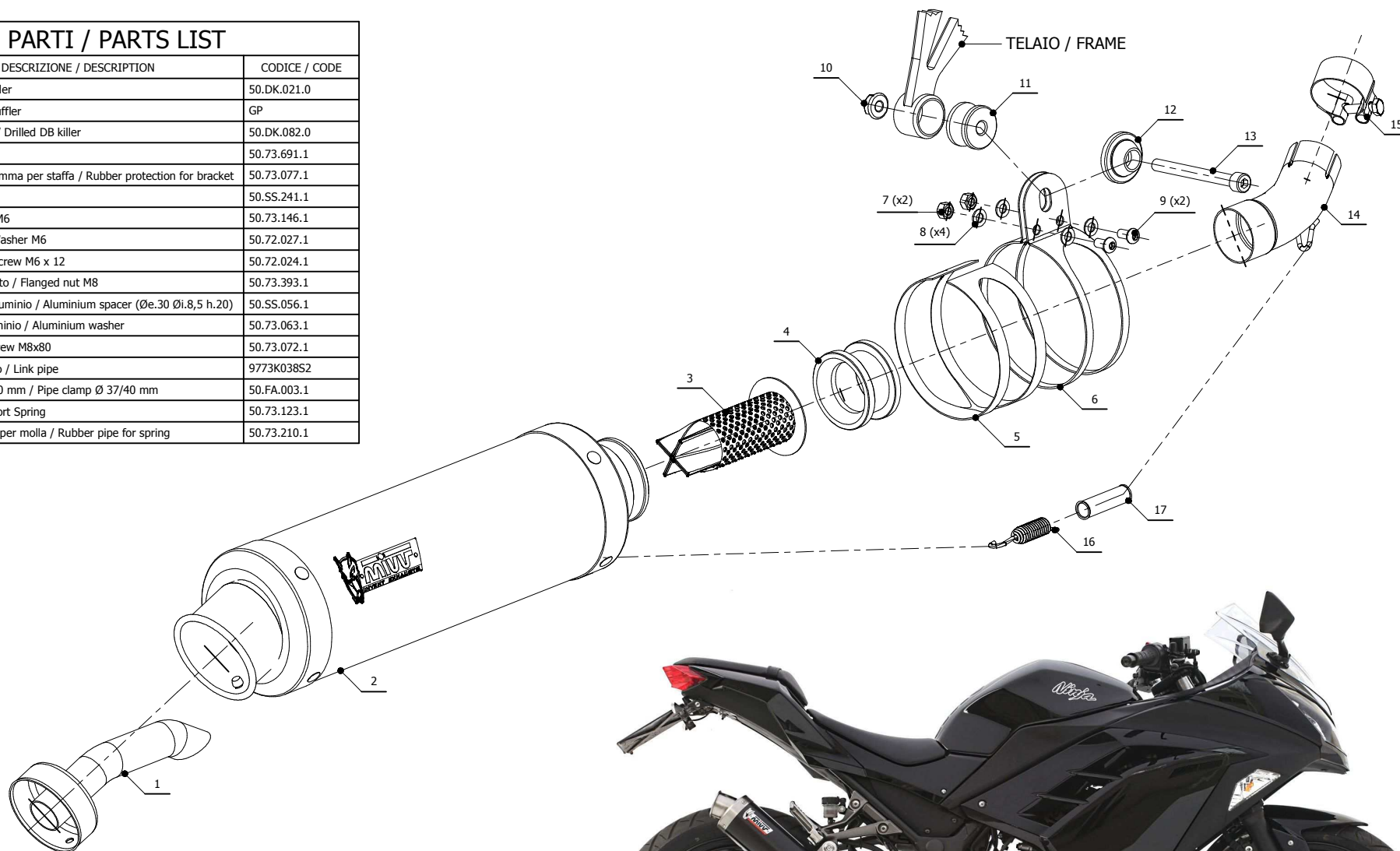
LINE SPORT

MUFFLER GP

SCHEMATIC

ELENCO PARTI / PARTS LIST

| # | QTÀ / QTY | DESCRIZIONE / DESCRIPTION | CODICE / CODE |
|----|-----------|---|---------------|
| 1 | 1 | DB killer / DB killer | 50.DK.021.0 |
| 2 | 1 | Silenziatore / Muffler | GP |
| 3 | 1 | Db Killer forato / Drilled DB killer | 50.DK.082.0 |
| 4 | 1 | Boccola / Bush | 50.73.691.1 |
| 5 | 1 | Protezione in gomma per staffa / Rubber protection for bracket | 50.73.077.1 |
| 6 | 1 | Staffa / Bracket | 50.SS.241.1 |
| 7 | 2 | Dado M6 / Nut M6 | 50.73.146.1 |
| 8 | 4 | Rondella M6 / Washer M6 | 50.72.027.1 |
| 9 | 2 | Vite M6 x 12 / Screw M6 x 12 | 50.72.024.1 |
| 10 | 1 | Dado M8 flangiato / Flanged nut M8 | 50.73.393.1 |
| 11 | 1 | Distanziale in alluminio / Aluminium spacer (Øe.30 Øi.8,5 h.20) | 50.SS.056.1 |
| 12 | 1 | Rondella in alluminio / Aluminium washer | 50.73.063.1 |
| 13 | 1 | Vite M8x80 / Screw M8x80 | 50.73.072.1 |
| 14 | 1 | Tubo di raccordo / Link pipe | 9773K038S2 |
| 15 | 1 | Fascetta Ø 37/40 mm / Pipe clamp Ø 37/40 mm | 50.FA.003.1 |
| 16 | 1 | Molla corta / Short Spring | 50.73.123.1 |
| 17 | 1 | Tubo in gomma per molla / Rubber pipe for spring | 50.73.210.1 |



APPLICAZIONI / APPLICATIONS

| CODICE / CODE | TUBO / PIPE | SILENZIATORE / MUFFLER | FASCETTA / CLAMP | CODICE OMOL. / HOMOL. CODE |
|---------------|------------------|-------------------------|------------------|----------------------------|
| K.038.L2S | INOX / ST. STEEL | CARBONIO / CARBON FIBER | INOX / ST. STEEL | ME046 e9 1352 |
| K.038.L6S | INOX / ST. STEEL | TITANIO / TITANIUM | INOX / ST. STEEL | ME046 e9 1352 |
| K.038.LXB | INOX / ST. STEEL | STEEL BLACK | INOX / ST. STEEL | ME046 e9 1352 |