

PARTS LIST

Index No.	Description	Part No.	Qty.
1.	Shield, Hand Deflector	20-231000-000	2
2.	Plate, Outside	37-370900-000	2
3.	Nut, 1/4-20 Acorn	42-480000-000	4
4.	Screw, 1/4-20x1/2, Nylon	50-530500-000	4
5.	Bracket, Left	37-370911-000	1
6.	Bracket, Right	37-370912-000	1
7.	Washer, 3/8 Int. Lock	49-492310-000	2



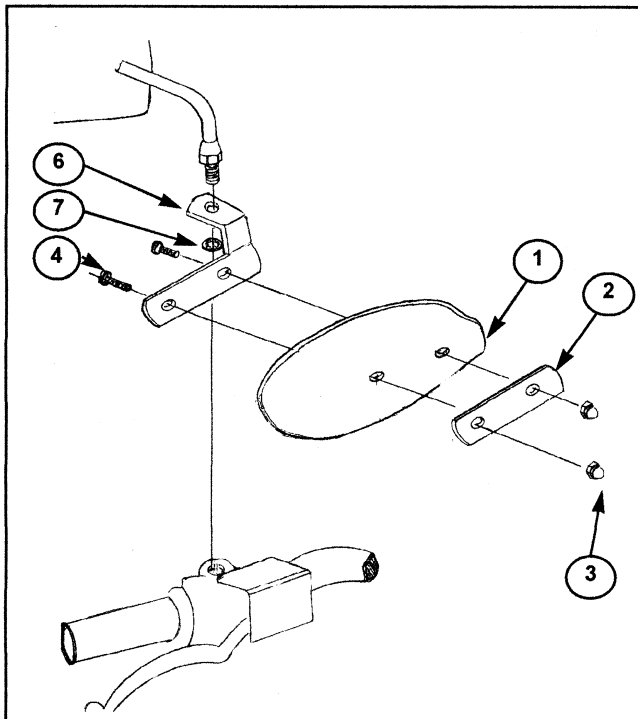
Tools used in all installations:

Wrench 17mm

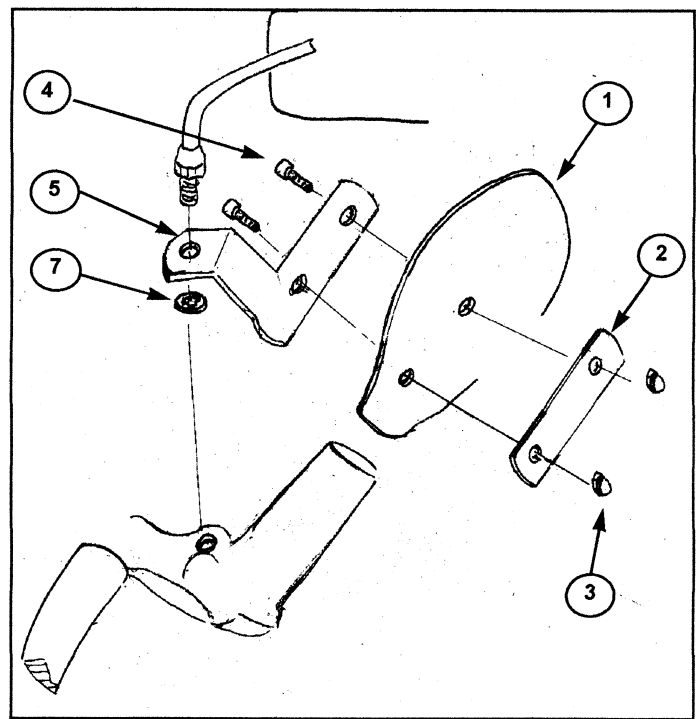
Wrench, 7/16"

Screwdriver, 3/8" Flat

RIGHT SIDE OF MOTORCYCLE HAND DEFLECTOR ASSEMBLY



LEFT SIDE OF MOTORCYCLE HAND DEFLECTOR ASSEMBLY



PREPARATION

Assemble the Hand Deflectors with the tab end of each Bracket at the narrow end of the Shield. Insert the Screws from the **INSIDE** of the Shield. Place the Outside Plate over the Screws and add the Nuts. Tighten until snug, do not over tighten.

INSTALLATION

Remove the *right* Mirror, (Wrench, 17mm).

Position a Lock Washer(7) so it is between the Mirror Mount and the Hand Deflector Bracket (6.)

Position the *right* Hand Deflector assembly onto the Mirror Mount.

Install the Mirror, adjust it, then tighten the Mirror Nut to 1.8 m-kg (13 ft. lbs.) torque.

Repeat the above procedure for the *left* side.