



**EVOTECH**®  
P E R F O R M A N C E

**Installation Instructions**

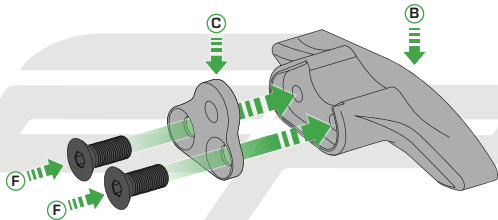


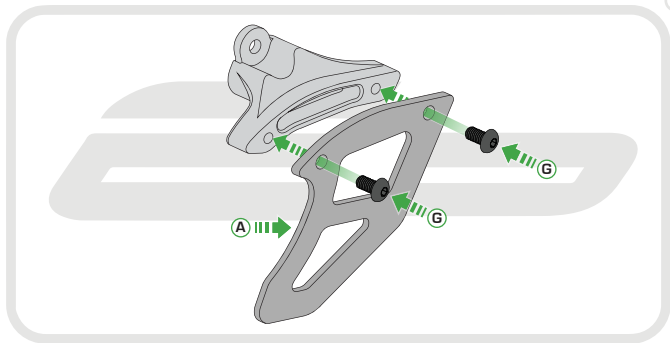
## DUCATI PANIGALE 899 2013 TOE GUARD

**Product Reference - 12607**

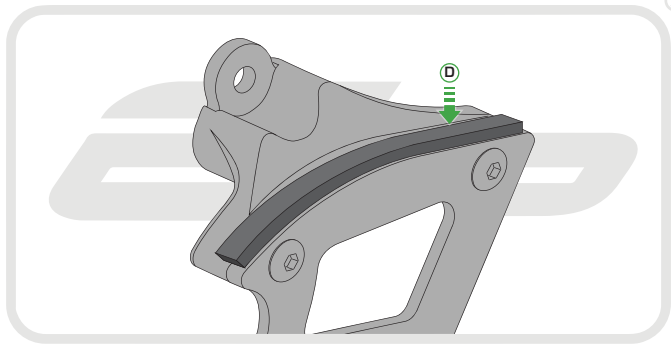
### **Kit Contents**

- A** 1 x Toe Guard
- B** 1 x Swingarm Bracket
- C** 1 x Mounting Plate
- D** 1 x Neoprene Foam
- E** 1 x M6 - 20 Socket Buton Head Screw
- F** 2 x M6 - 16 Countersunk Screws
- G** 2 x M6 - 10 Socket Buton Head Screws

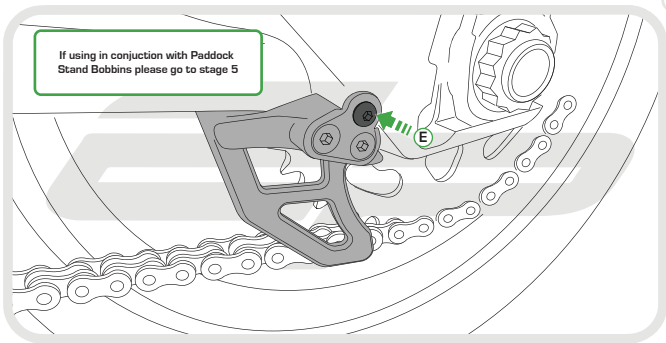




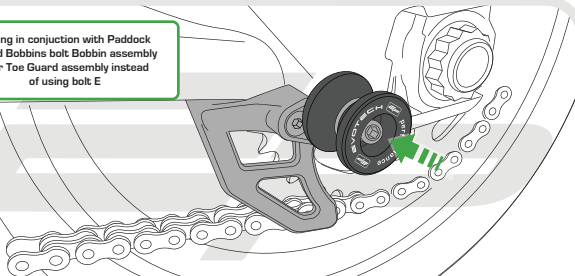
**EVOTECH**<sup>®</sup>  
P E R F O R M A N C E



If using in conjunction with Paddock  
Stand Bobbins please go to stage 5



If using in conjunction with Paddock Stand Bobbins bolt Bobbin assembly over Toe Guard assembly instead of using bolt E





## ESSENTIAL CHECKS



It is recommended that periodic inspections are made to ensure that all bolts are tightened to the specified torque settings.

Should the bike be involved in an accident a thorough inspection should be made and any components that have taken an impact, no matter how small, be replaced





**EVOTECH**®  
P E R F O R M A N C E

[www.evotech-performance.com](http://www.evotech-performance.com)