

PRODUCT SHEET

SUZUKI SV 650

2005 >

LINE SPORT - SLIP ON SYSTEMS





SUZUKI SV 650
2005 >
SPORT - SLIP ON SYSTEMS

	Kit	Type	Shape	Level	Homologated
S.015.LX1	SLIP-ON SMALL	STAINLESS STEEL	OVAL	STANDARD LEVEL	<input checked="" type="checkbox"/>
S.015.L4C	SLIP-ON SMALL	TITANIUM CARBON CAP	OVAL	STANDARD LEVEL	<input checked="" type="checkbox"/>
S.015.L3C	SLIP-ON SMALL	CARBON CARBON CAP	OVAL	STANDARD LEVEL	<input checked="" type="checkbox"/>





MODEL SUZUKI SV 650

YEAR 2004-->

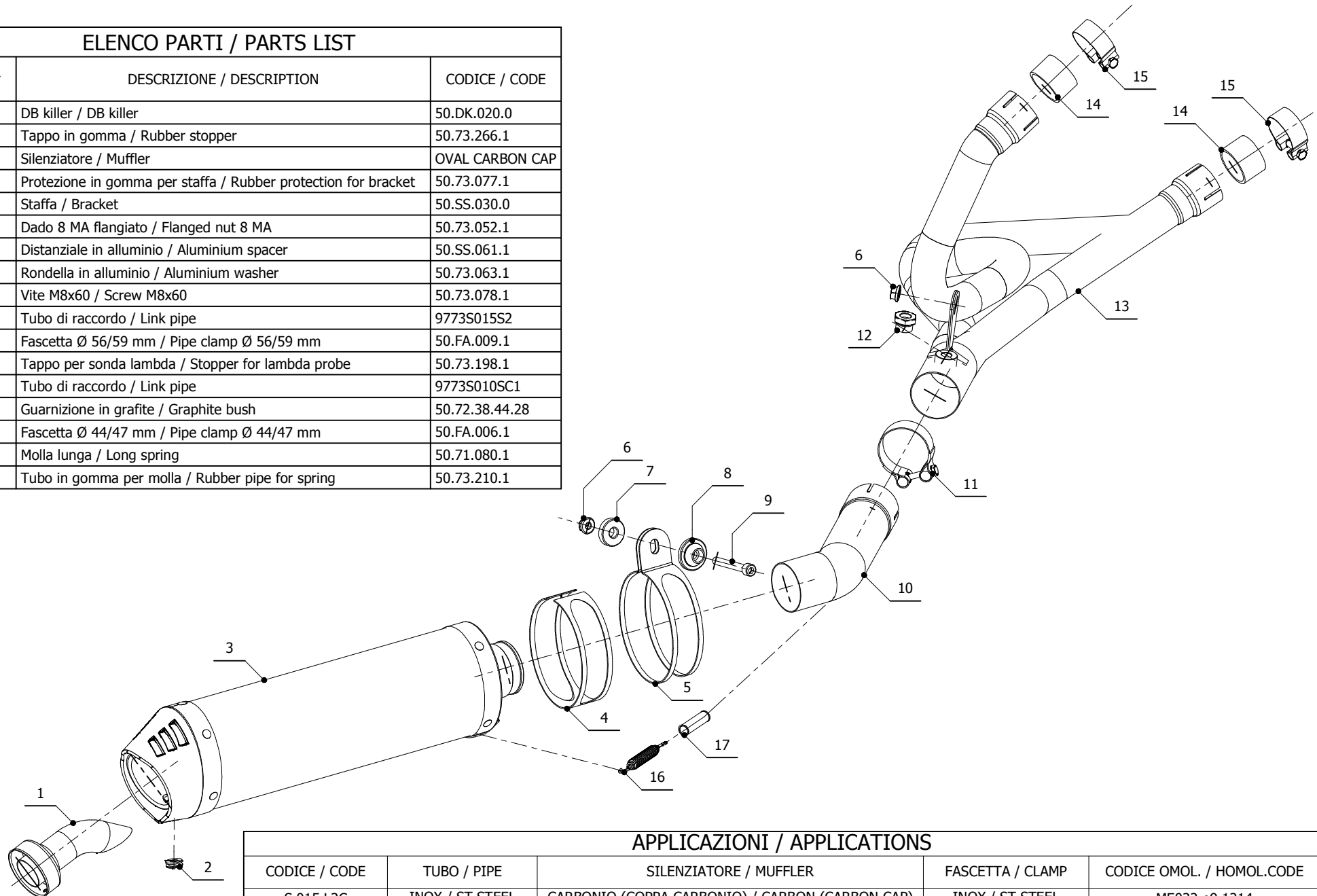
LINE SPORT

MUFFLER OVAL CARBON CAP

SCHEMATIC

ELENCO PARTI / PARTS LIST

#	QTÀ / QTY	DESCRIZIONE / DESCRIPTION	CODICE / CODE
1	1	DB killer / DB killer	50.DK.020.0
2	1	Tappo in gomma / Rubber stopper	50.73.266.1
3	1	Silenziatore / Muffler	OVAL CARBON CAP
4	1	Protezione in gomma per staffa / Rubber protection for bracket	50.73.077.1
5	1	Staffa / Bracket	50.SS.030.0
6	2	Dado 8 MA flangiato / Flanged nut 8 MA	50.73.052.1
7	1	Distanziale in alluminio / Aluminium spacer	50.SS.061.1
8	1	Rondella in alluminio / Aluminium washer	50.73.063.1
9	1	Vite M8x60 / Screw M8x60	50.73.078.1
10	1	Tubo di raccordo / Link pipe	9773S015S2
11	1	Fascetta Ø 56/59 mm / Pipe clamp Ø 56/59 mm	50.FA.009.1
12	1	Tappo per sonda lambda / Stopper for lambda probe	50.73.198.1
13	1	Tubo di raccordo / Link pipe	9773S010SC1
14	2	Guarnizione in grafite / Graphite bush	50.72.38.44.28
15	2	Fascetta Ø 44/47 mm / Pipe clamp Ø 44/47 mm	50.FA.006.1
16	1	Molla lunga / Long spring	50.71.080.1
17	1	Tubo in gomma per molla / Rubber pipe for spring	50.73.210.1



APPLICAZIONI / APPLICATIONS

CODICE / CODE	TUBO / PIPE	SILENZIATORE / MUFFLER	FASCETTA / CLAMP	CODICE OMOL. / HOMOL.CODE
S.015.L3C	INOX / ST.STEEL	CARBONIO (COPPA CARBONIO) / CARBON (CARBON CAP)	INOX / ST.STEEL	ME022 e9 1214
S.015.L4C	INOX / ST.STEEL	TITANIO (COPPA CARBONIO) / TITANIUM (CARBON CAP)	INOX / ST.STEEL	ME022 e9 1214