



MODEL SUZUKI GSX-R 1000

YEAR 2005-2006

LINE SPORT

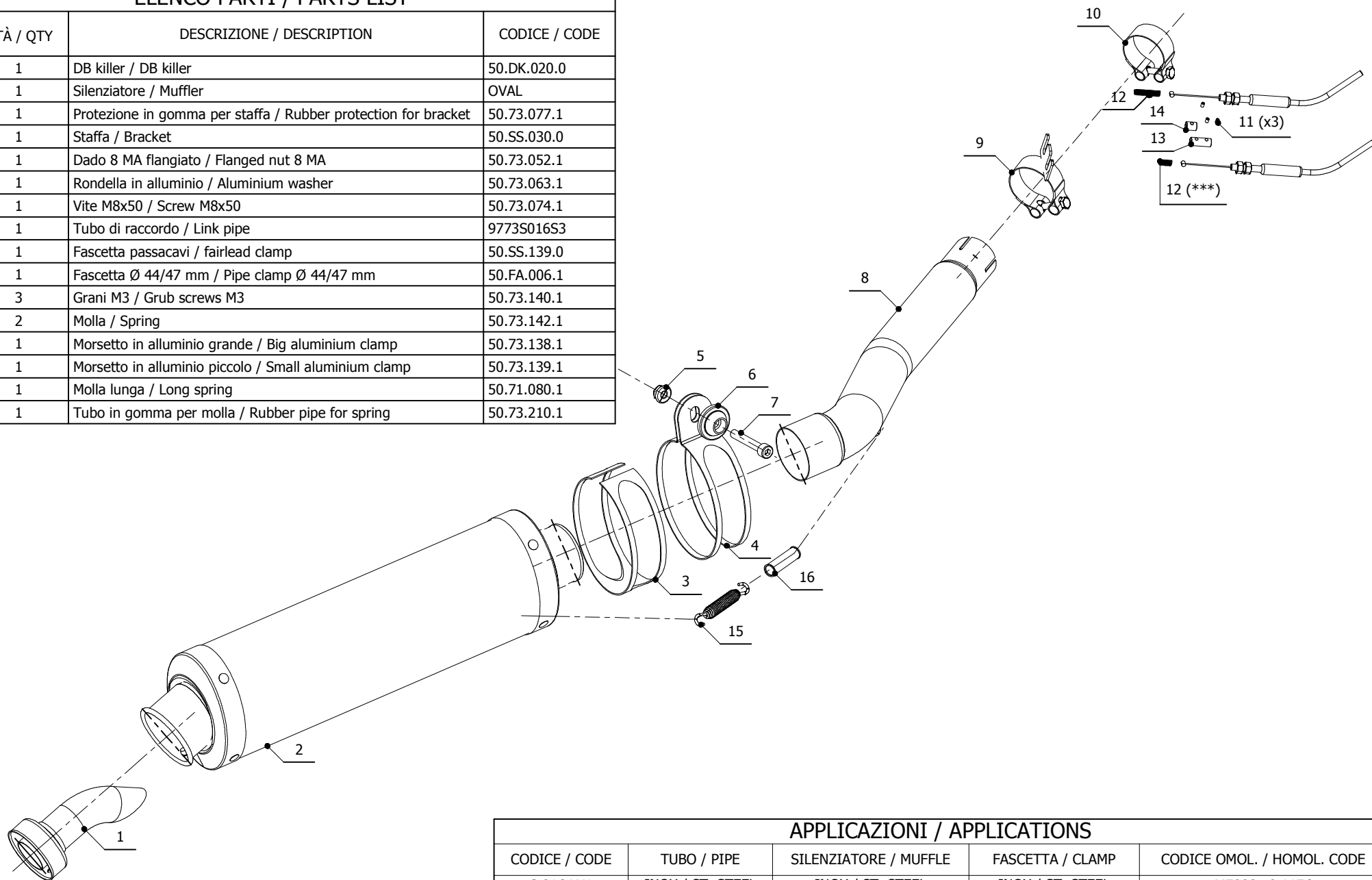
MUFFLER OVAL

SCHEMATIC

ELENCO PARTI / PARTS LIST

#	QTÀ / QTY	DESCRIZIONE / DESCRIPTION	CODICE / CODE
1	1	DB killer / DB killer	50.DK.020.0
2	1	Silenziatore / Muffler	OVAL
3	1	Protezione in gomma per staffa / Rubber protection for bracket	50.73.077.1
4	1	Staffa / Bracket	50.SS.030.0
5	1	Dado 8 MA flangiato / Flanged nut 8 MA	50.73.052.1
6	1	Rondella in alluminio / Aluminium washer	50.73.063.1
7	1	Vite M8x50 / Screw M8x50	50.73.074.1
8	1	Tubo di raccordo / Link pipe	9773S016S3
9	1	Fascetta passacavi / fairlead clamp	50.SS.139.0
10	1	Fascetta Ø 44/47 mm / Pipe clamp Ø 44/47 mm	50.FA.006.1
11	3	Grani M3 / Grub screws M3	50.73.140.1
12	2	Molla / Spring	50.73.142.1
13	1	Morsetto in alluminio grande / Big aluminium clamp	50.73.138.1
14	1	Morsetto in alluminio piccolo / Small aluminium clamp	50.73.139.1
15	1	Molla lunga / Long spring	50.71.080.1
16	1	Tubo in gomma per molla / Rubber pipe for spring	50.73.210.1

*** Tagliare a metà la molla / Cut in half the spring



APPLICAZIONI / APPLICATIONS

CODICE / CODE	TUBO / PIPE	SILENZIATORE / MUFFLE	FASCETTA / CLAMP	CODICE OMOL. / HOMOL. CODE
S.016.LX1	INOX / ST. STEEL	INOX / ST. STEEL	INOX / ST. STEEL	ME008 e9 1176