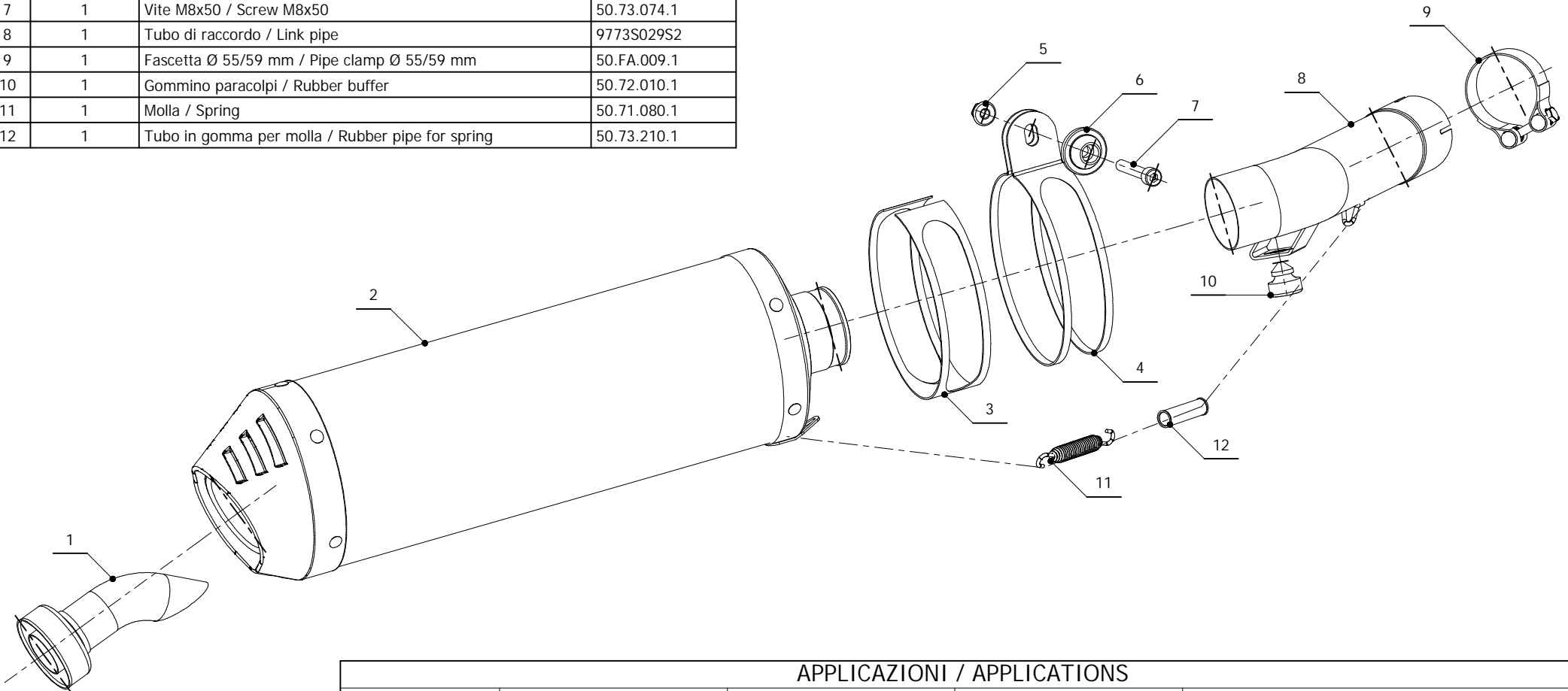


**ELENCO PARTI / PARTS LIST**

| #  | QTA / QTY | DESCRIZIONE / DESCRIPTION                                      | CODICE / CODE   |
|----|-----------|--|-----------------|
| 1  | 1         | DB killer / DB killer  | 50.DK.020.0     |
| 2  | 1         | Silenziatore / Muffler   | OVAL CARBON CAP |
| 3  | 1         | Protezione in gomma per staffa / Rubber protection for bracket | 50.73.041.1     |
| 4  | 1         | Staffa / Bracket   | 50.SS.002.0     |
| 5  | 1         | Dado 8 MA flangiato / Flanged nut 8 MA                         | 50.73.052.1     |
| 6  | 1         | Rondella in alluminio / Aluminium washer                       | 50.73.063.1     |
| 7  | 1         | Vite M8x50 / Screw M8x50                                       | 50.73.074.1     |
| 8  | 1         | Tube di raccordo / Link pipe                                   | 9773S029S2      |
| 9  | 1         | Fascetta Ø 55/59 mm / Pipe clamp Ø 55/59 mm                    | 50.FA.009.1     |
| 10 | 1         | Gommino paracolpi / Rubber buffer                              | 50.72.010.1     |
| 11 | 1         | Molla / Spring   | 50.71.080.1     |
| 12 | 1         | Tube in gomma per molla / Rubber pipe for spring               | 50.73.210.1     |


**APPLICAZIONI / APPLICATIONS**

| CODICE / CODE | TUBO / PIPE            | SILENZIATORE / MUFFLER  | FASCETTA / CLAMP       | CODICE OMOLOGAZIONE / HOMOLOGATION CODE |
|---------------|------------------------|-------------------------|------------------------|---|
| S.029.LEC     | INOX / STAINLESS STEEL | CARBONIO / CARBON FIBER | INOX / STAINLESS STEEL | ME002 e9 1177                           |
| S.029.LNC     | INOX / STAINLESS STEEL | TITANIO / TITANIUM      | INOX / STAINLESS STEEL | ME002 e9 1177                           |