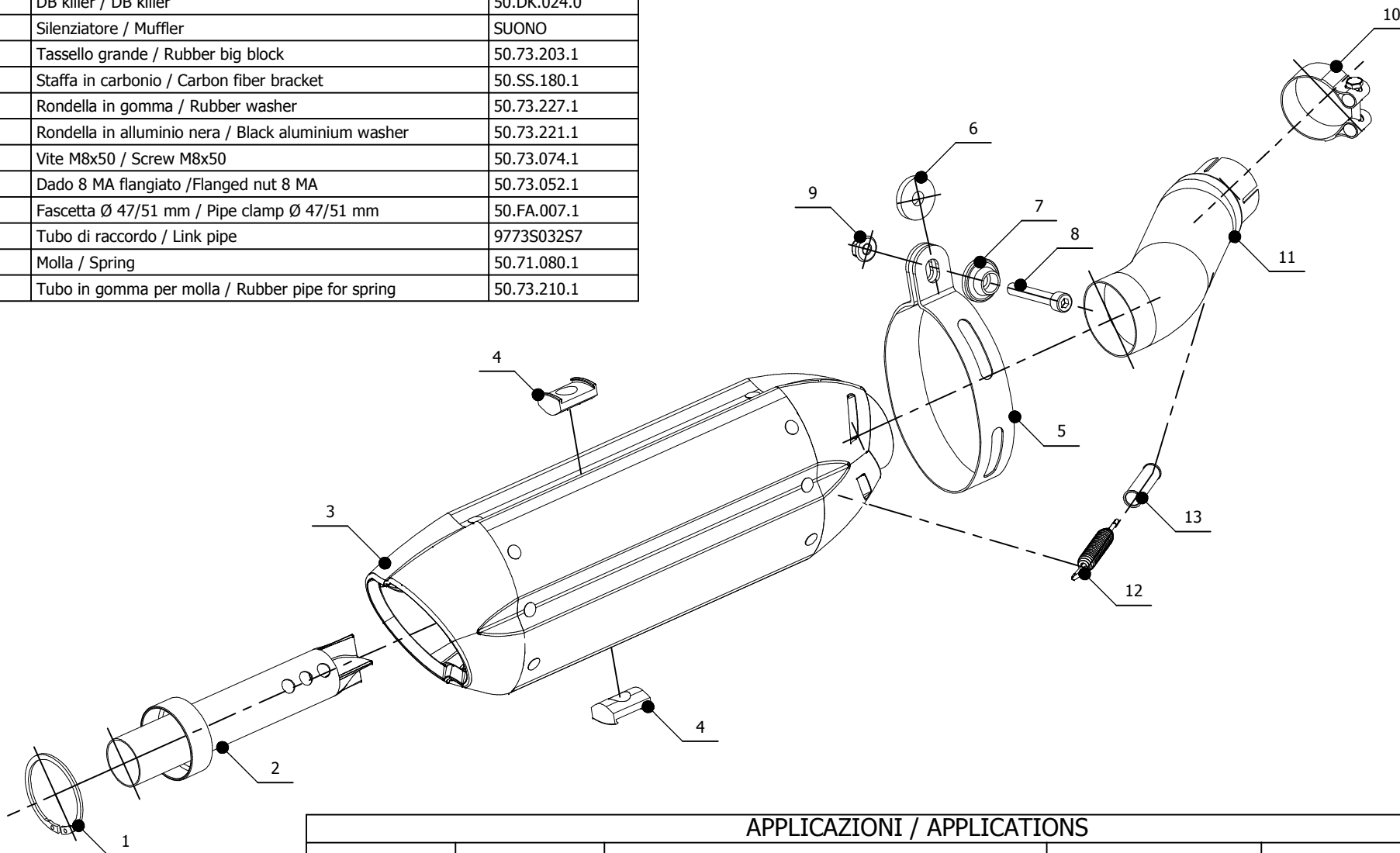


ELENCO PARTI / PARTS LIST

#	QTÀ / QTY	DESCRIZIONE / DESCRIPTION	CODICE / CODE
1	1	Anello Seger / Seger ring	50.73.218.1
2	1	DB killer / DB killer	50.DK.024.0
3	1	Silenziatore / Muffler	SUONO
4	2	Tassello grande / Rubber big block	50.73.203.1
5	1	Staffa in carbonio / Carbon fiber bracket	50.SS.180.1
6	1	Rondella in gomma / Rubber washer	50.73.227.1
7	1	Rondella in alluminio nera / Black aluminium washer	50.73.221.1
8	1	Vite M8x50 / Screw M8x50	50.73.074.1
9	1	Dado 8 MA flangiato / Flanged nut 8 MA	50.73.052.1
10	1	Fascetta Ø 47/51 mm / Pipe clamp Ø 47/51 mm	50.FA.007.1
11	1	Tubo di raccordo / Link pipe	9773S032S7
12	1	Molla / Spring	50.71.080.1
13	1	Tubo in gomma per molla / Rubber pipe for spring	50.73.210.1


APPLICAZIONI / APPLICATIONS

CODICE / CODE	TUBO / PIPE	SILENZIATORE / MUFFLER	FASCETTA / CLAMP
S.032.L7	INOX / ST. STEEL	INOX (COPPE CARBONIO) / ST. STEEL (CARBON CAPS)	CARBONIO / CARBON FIBER
S.032.L9	INOX / ST. STEEL	CARBONIO (COPPE CARBONIO) / CARBON (CARBON CAPS)	CARBONIO / CARBON FIBER