



**MODEL** SUZUKI GSX-R 1000

**YEAR** 2009-->

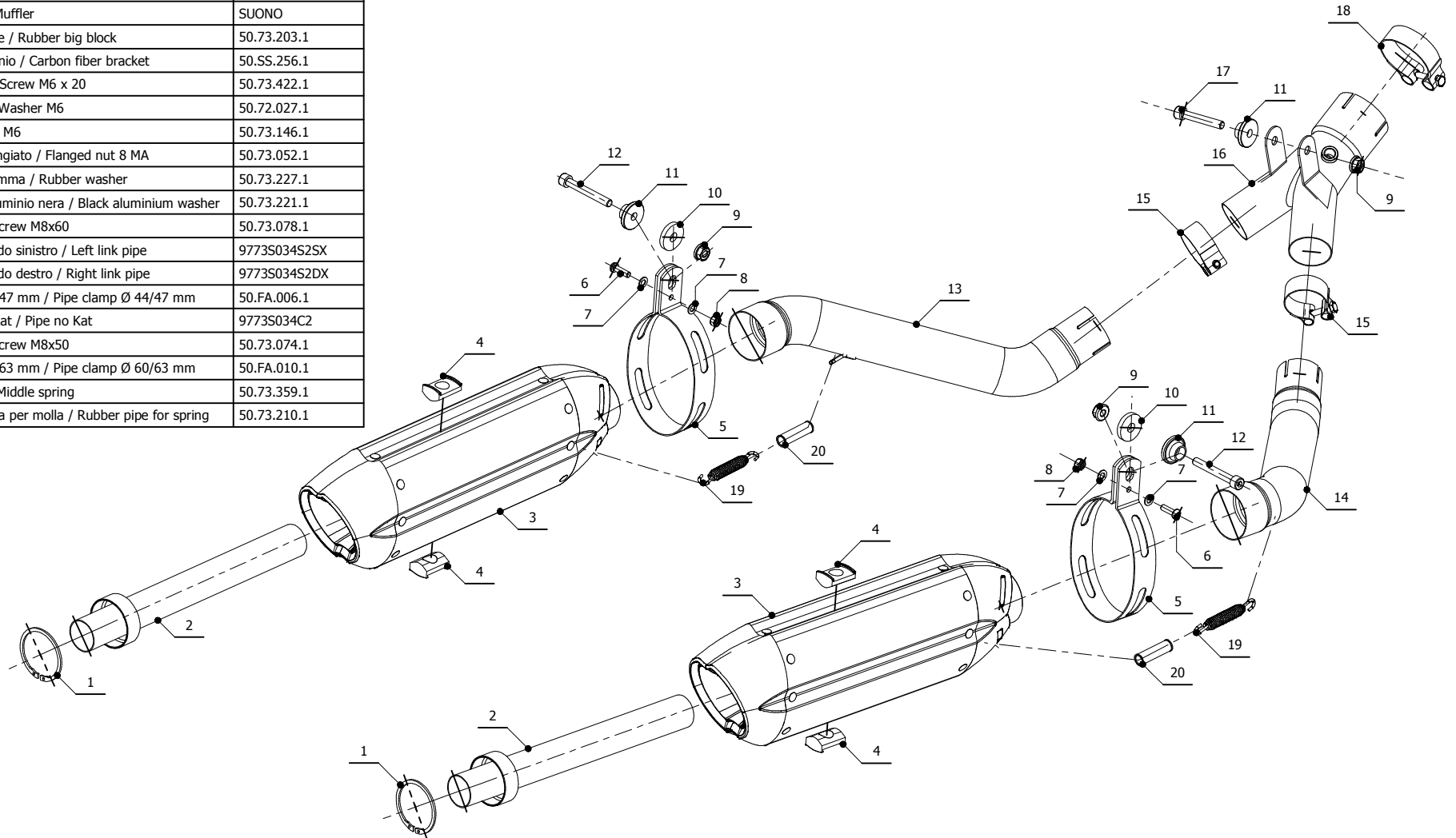
**LINE** SPORT

**MUFFLER** SUONO

**SCHEMATIC**

**ELENCO PARTI / PARTS LIST**

#	QTÀ / QTY	DESCRIZIONE / DESCRIPTION	CODICE / CODE
1	2	Anello Seger / Seger ring	50.73.218.1
2	2	DB killer / DB killer	50.DK.056.0
3	2	Silenziatore / Muffler	SUONO
4	4	Tassello grande / Rubber big block	50.73.203.1
5	2	Staffa in carbonio / Carbon fiber bracket	50.SS.256.1
6	2	Vite M6 x 20 / Screw M6 x 20	50.73.422.1
7	4	Rondella M6 / Washer M6	50.72.027.1
8	2	Dado M6 / Nut M6	50.73.146.1
9	3	Dado 8 MA flangiato / Flanged nut 8 MA	50.73.052.1
10	2	Rondella in gomma / Rubber washer	50.73.227.1
11	3	Rondella in alluminio nera / Black aluminium washer	50.73.221.1
12	2	Vite M8x60 / Screw M8x60	50.73.078.1
13	1	Tubo di raccordo sinistro / Left link pipe	9773S034S2SX
14	1	Tubo di raccordo destro / Right link pipe	9773S034S2DX
15	2	Fascetta Ø 44/47 mm / Pipe clamp Ø 44/47 mm	50.FA.006.1
16	1	Tubo elimina Kat / Pipe no Kat	9773S034C2
17	1	Vite M8x50 / Screw M8x50	50.73.074.1
18	1	Fascetta Ø 60/63 mm / Pipe clamp Ø 60/63 mm	50.FA.010.1
19	2	Molla media / Middle spring	50.73.359.1
20	2	Tubo in gomma per molla / Rubber pipe for spring	50.73.210.1



**APPLICAZIONI / APPLICATIONS**

CODICE / CODE	TUBO / PIPE	SILENZIATORE / MUFFLER	FASCETTA / CLAMP	CODICE OMOL. / HOMOL. CODE
S.034.L7	INOX / ST. STEEL	INOX (COPPE CARBONIO) / ST. STEEL (CARBON CAPS)	CARBONIO / CARBON FIBER	ME033 e9 1288
S.034.L9	INOX / ST. STEEL	CARBONIO (COPPE CARBONIO) / CARBON (CARBON CAPS)	CARBONIO / CARBON FIBER	ME033 e9 1288