



**MODEL** SUZUKI GSX-S 1000 / 1000F **YEAR** 2015

**LINE** SPORT **MUFFLER** GP

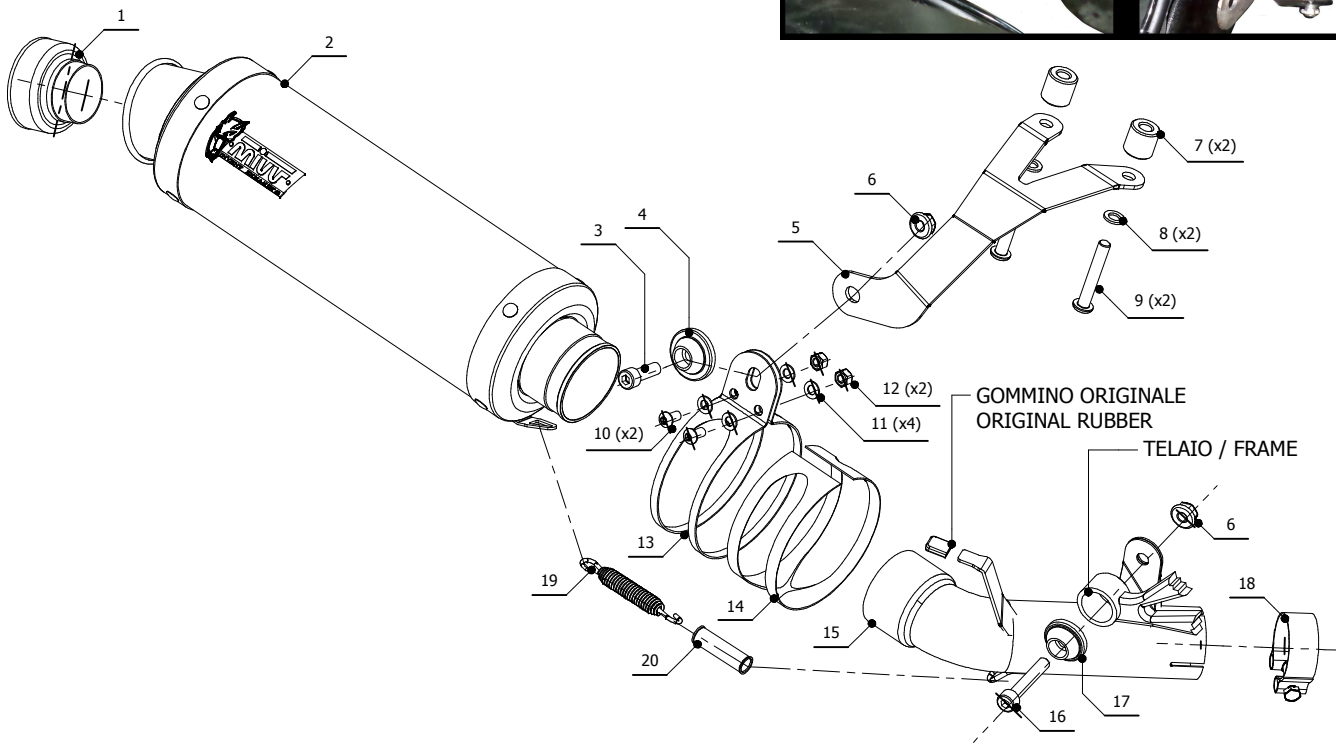
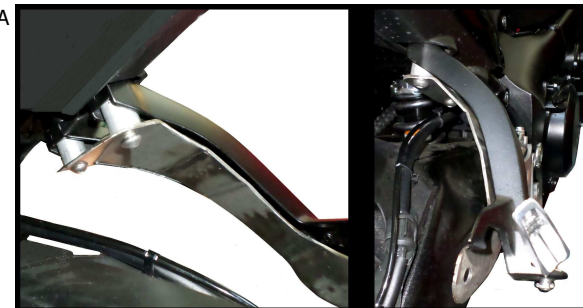
**SCHEMATIC**

**ELENCO PARTI / PARTS LIST**

#	QTÀ / QTY	DESCRIZIONE / DESCRIPTION	CODICE / CODE
1	1	DB killer / DB killer	50.DK.067.0
2	1	Silenziatore / Muffler	GP
3	1	Vite M8x25 / Screw M8x25	50.73.064.1
4	1	Rondella in alluminio / Aluminium washer	50.73.063.1
5	1	Staffa / Braket	50.SS.914.0
6	2	Dado M8 flangiato / Flanged nut M8	50.73.393.1
7	2	Distanziale in alluminio / Aluminium spacer (Øe.20 Øi.8,5 h.20)	50.SS.073.1
8	2	Rondella M8 / Washer M8	50.73.270.1
9	2	Vite M8 x 50 / Screw M8 x 50	50.73.088.1
10	2	Vite M6 x 12 / Screw M6 x 12	50.72.024.1
11	4	Rondella M6 / Washer M6	50.72.027.1
12	2	Dado M6 / Nut M6	50.73.146.1
13	1	Staffa / Bracket	50.SS.241.1
14	1	Protezione in gomma per staffa / Rubber protection for bracket	50.73.077.1
15	1	Tubo di raccordo / Link pipe	9773S044S2
16	1	Vite M8x45 / Screw M8x45	50.73.602.1
17	1	Rondella alluminio / Aluminium washer	50.73.291.1
18	1	Fascetta Ø 44/47 mm / Pipe clamp Ø 44/47 mm	50.FA.006.1
19	1	Molla media / Middle spring	50.73.359.1
20	1	Tubo in gomma per molla / Rubber pipe for spring	50.73.210.1



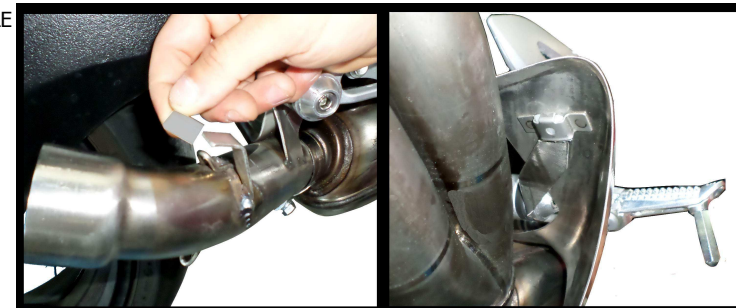
FISSAGGIO PEDANA  
FITTING REARSET



GOMMINO ORIGINALE  
ORIGINAL RUBBER

TELAIO / FRAME

FISSAGGIO COVER ORIGINALE  
FITTING ORIGINALE COVER



**APPLICAZIONI / APPLICATIONS**

CODICE / CODE	TUBO / PIPE	SILENZIATORE / MUFFLER	FASCETTA / CLAMP	CODICE OMOL. / HOMOL. CODE
S.044.L2S	INOX / ST. STEEL	CARBONIO / CARBON FIBER	INOX / ST. STEEL	ME008 e9 1176
S.044.L6S	INOX / ST. STEEL	TITANIO / TITANIUM	INOX / ST. STEEL	ME008 e9 1176
S.044.LXB	INOX / ST. STEEL	STEEL BLACK	INOX / ST. STEEL	ME008 e9 1176