



**MODEL** TRIUMPH TIGER 1050

**YEAR** 2007 - 2013

**LINE** SLIP ON

**MUFFLER** SUONO

**SCHEMATIC**

**ELENCO PARTI / PARTS LIST**

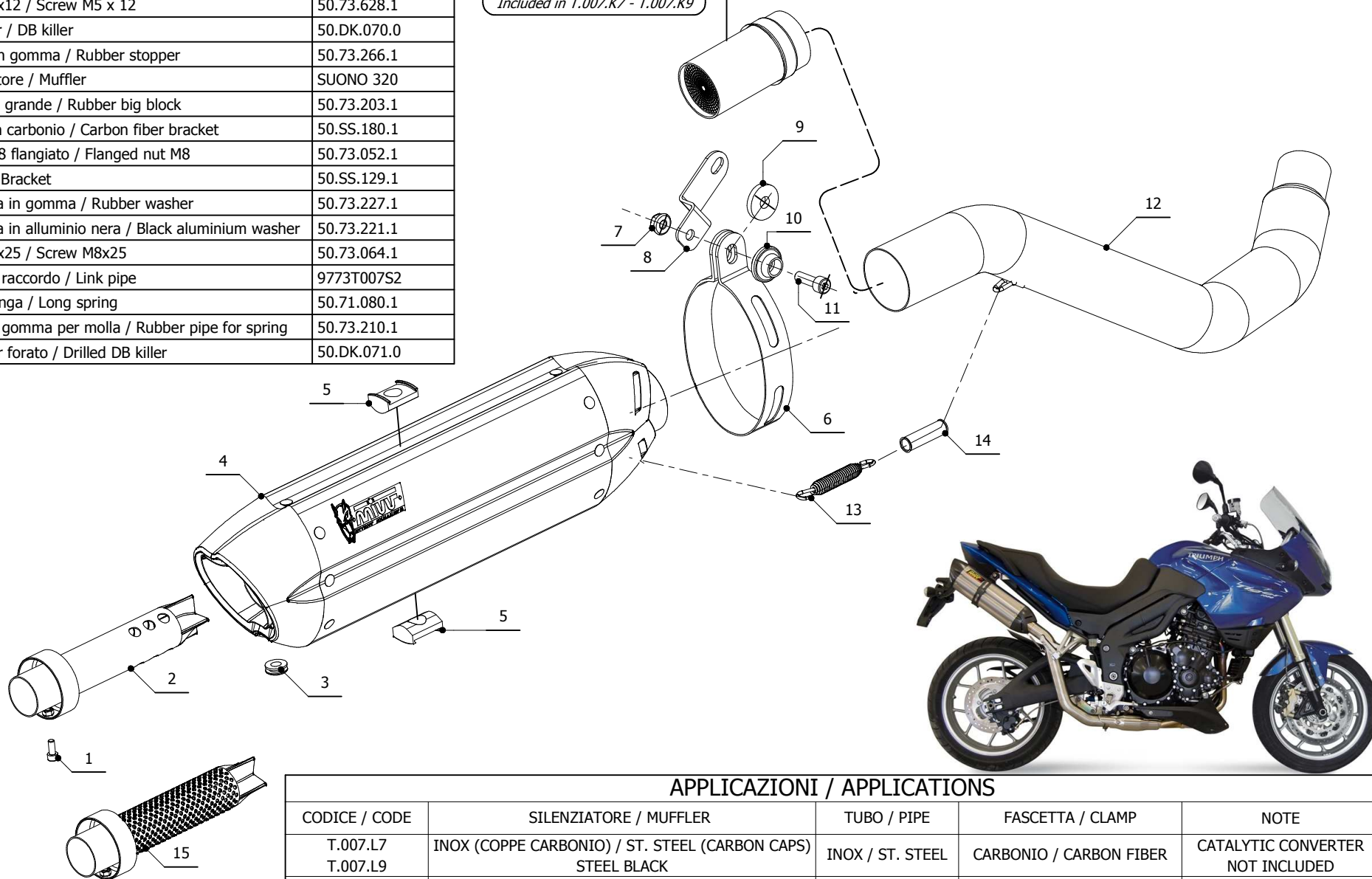
#	QTÀ / QTY	DESCRIZIONE / DESCRIPTION	CODICE / CODE
1	1	Vite M5x12 / Screw M5 x 12	50.73.628.1
2	1	DB killer / DB killer	50.DK.070.0
3	3	Tappo in gomma / Rubber stopper	50.73.266.1
4	1	Silenziatore / Muffler	SUONO 320
5	2	Tassello grande / Rubber big block	50.73.203.1
6	1	Staffa in carbonio / Carbon fiber bracket	50.SS.180.1
7	1	Dado M8 flangiato / Flanged nut M8	50.73.052.1
8	1	Staffa / Bracket	50.SS.129.1
9	1	Rondella in gomma / Rubber washer	50.73.227.1
10	1	Rondella in alluminio nera / Black aluminium washer	50.73.221.1
11	1	Vite M8x25 / Screw M8x25	50.73.064.1
12	1	Tubo di raccordo / Link pipe	9773T007S2
13	1	Molla lunga / Long spring	50.71.080.1
14	1	Tubo in gomma per molla / Rubber pipe for spring	50.73.210.1
15	1	Db Killer forato / Drilled DB killer	50.DK.071.0

**Catalytic Converter**

**Cod. ACC.033.A1**

*Optional for T.007.L7 - T.007.L9*

*Included in T.007.K7 - T.007.K9*



**APPLICAZIONI / APPLICATIONS**

CODICE / CODE	SILENZIATORE / MUFFLER	TUBO / PIPE	FASCETTA / CLAMP	NOTE
T.007.L7 T.007.L9	INOX (COPPE CARBONIO) / ST. STEEL (CARBON CAPS) STEEL BLACK	INOX / ST. STEEL	CARBONIO / CARBON FIBER	CATALYTIC CONVERTER NOT INCLUDED
T.007.K7 T.007.K9	INOX (COPPE CARBONIO) / ST. STEEL (CARBON CAPS) STEEL BLACK	INOX / ST. STEEL	CARBONIO / CARBON FIBER	CATALYTIC CONVERTER INCLUDED