



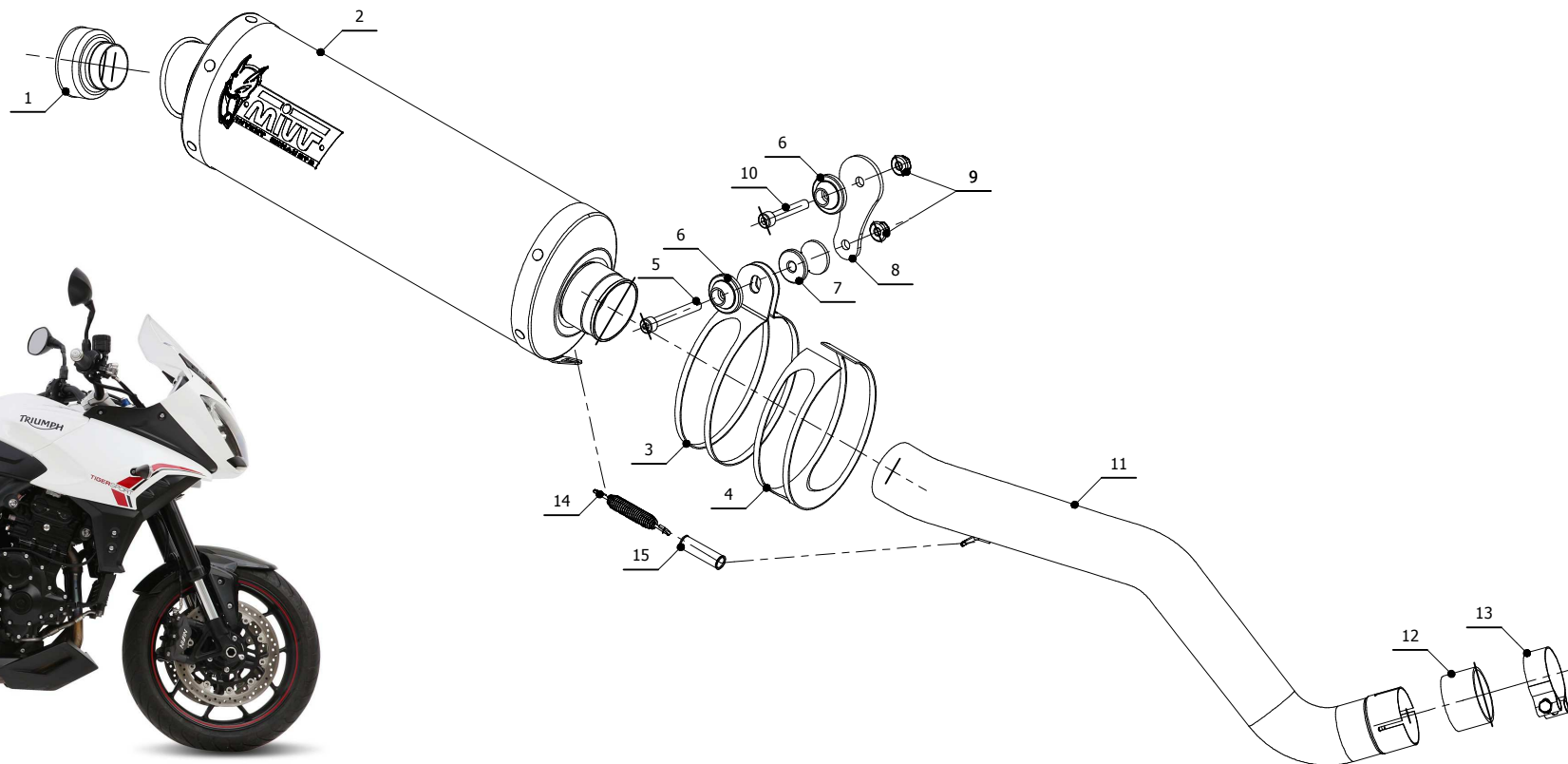
MODEL TRIUMPH TIGER 1050 SPORT

YEAR 2013

LINE SPORT

MUFFLER OVAL

SCHEMATIC



ELENCO PARTI / PARTS LIST

#	QTÀ / QTY	DESCRIZIONE / DESCRIPTION	CODICE / CODE
1	1	DB killer / DB killer	50.DK.067.0
2	1	Silenziatore / Muffler	OVAL
3	1	Staffa / Bracket	50.SS.002.0
4	1	Protezione in gomma per staffa / Rubber protection for bracket	50.73.041.1
5	1	Vite M8x65 / Screw M8x65	50.73.603.1
6	2	Rondella in alluminio / Aluminium washer	50.73.063.1
7	1	Distanziale in alluminio / Aluminium spacer (Øe.30 Øi.8,5 h.35)	50.SS.053.1
8	1	Staffa / Bracket	50.SS.750.0
9	2	Dado M8 flangiato / Flanged nut M8	50.73.393.1
10	1	Vite M8x50 / Screw M8x50	50.73.074.1
11	1	Tubo di raccordo / Link Pipe	9773T014SE
12	1	Guarnizione in grafite / Graphite bush	50.72.45.50.30
13	1	Fascetta Ø 48/51 mm / Pipe clamp Ø 48/51 mm	50.FA.007.1
14	1	Molla media / Middle spring	50.73.359.1
15	1	Tubo in gomma per molla / Rubber pipe for spring	50.73.210.1



APPLICAZIONI / APPLICATIONS

CODICE / CODE	TUBO / PIPE	SILENZIATORE / MUFFLER	FASCETTA / CLAMP	CODICE OMOL. / HOMOL.CODE
T.014.LX2	INOX / ST.STEEL	INOX / ST.STEEL	INOX / ST.STEEL	ME002 e9 1177