

# PRODUCT SHEET

## HONDA CBR 1000 RR

2004 > 2005

LINE SPORT - SLIP ON SYSTEMS





**HONDA**

**HONDA CBR 1000 RR**  
2004 > 2005  
SPORT - SLIP ON SYSTEMS

	Kit	Type	Shape	Level	Homologated
UH.025.LE	SLIP-ON	CARBON	OVAL	UNDERSEAT	<input checked="" type="checkbox"/>
UH.025.LN	SLIP-ON	TITANIUM	OVAL	UNDERSEAT	<input checked="" type="checkbox"/>
UH.025.LP1	2 SLIP-ON	STAINLESS STEEL	X - CONE PLUS	UNDERSEAT	<input checked="" type="checkbox"/>



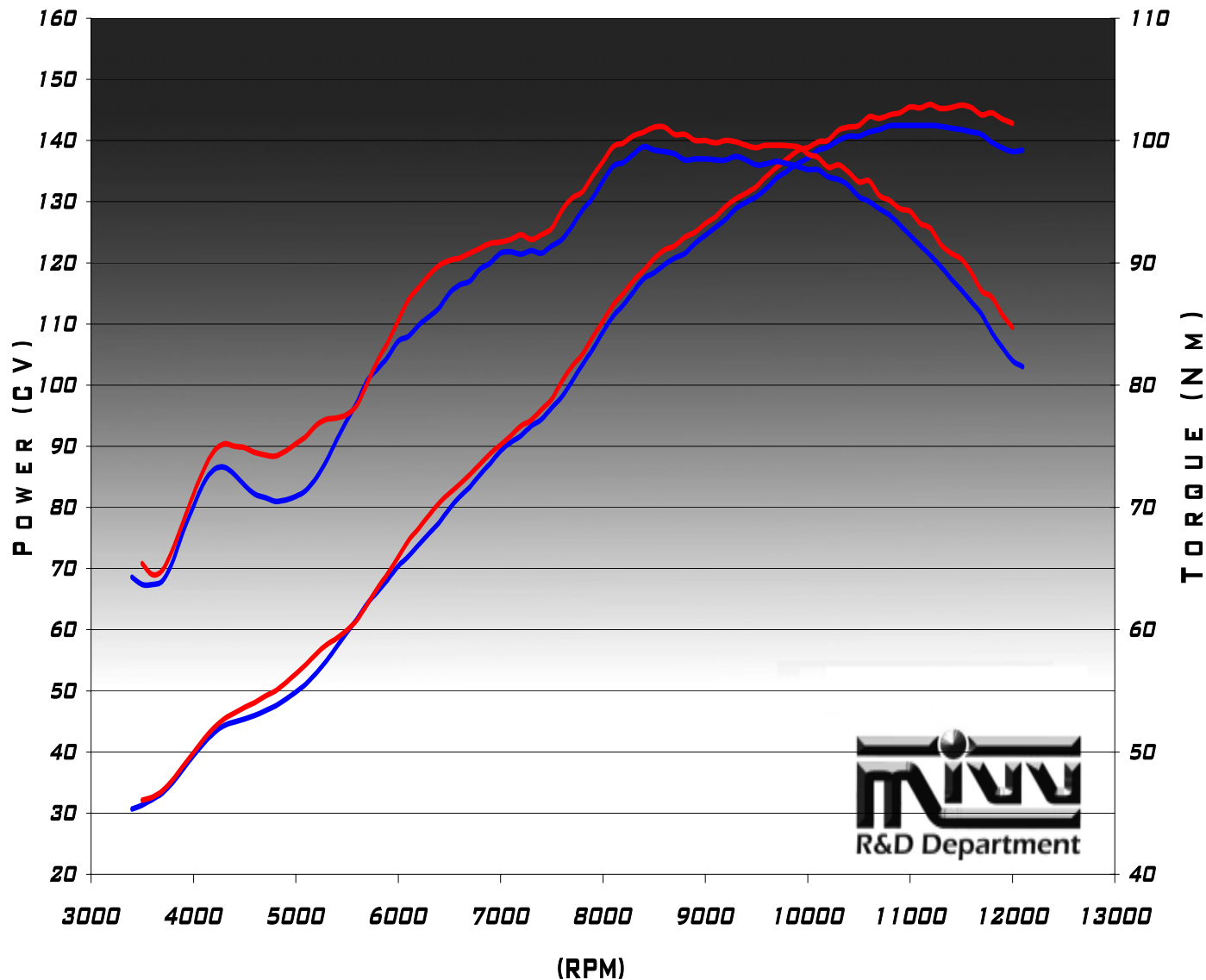
Photo





MIVV SPA  
 ZONA INDUSTRIALE - 64027 SANT'OMERO (TE)  
 TEL 0039-0861-81201 - FAX 0039-0861- 8120240  
 WWW.MIVV.IT - MOTO@MIVV.IT

# HONDA CBR 1000 RR '04



— STOCK — MIVV RACING



**ENVIRONMENTAL CONDITION**  
 BAROMETRIC PRESSURE : 997.3 MBAR  
 AIR TEMPERATURE : 12.6 °C

### WEIGHT (KG)

	STOCK	MIVV RACING			
SILENCER	4.1	CARBON	ALUMINIUM	TITANIUM	
		ROUND	ROUND	ROUND	OVAL
		2.1		2.3	

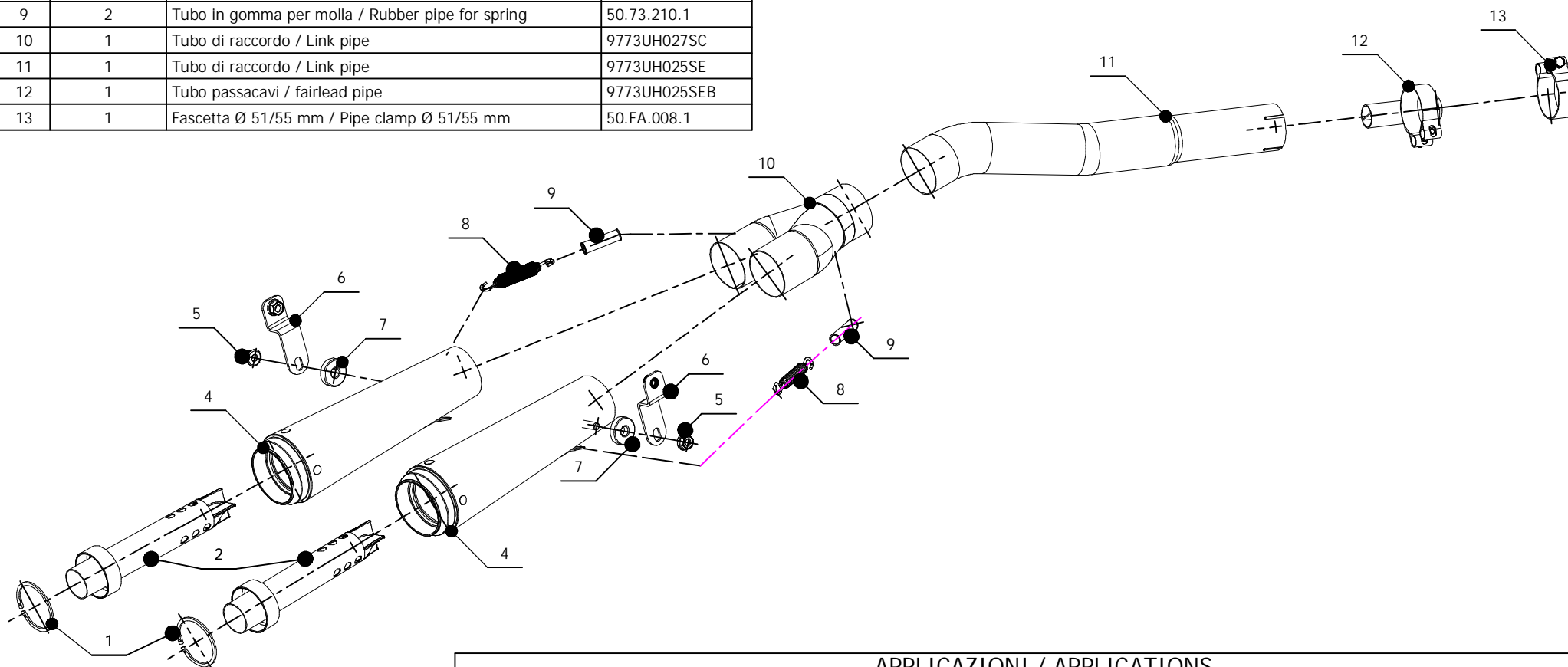
**INCREASE OF THE MAX POWER\***

**+2.3 % / 11000 RPM**

\*(THIS PERFORMANCE SUBJECT TO CHANGE WITH DIFFERENT ENVIRONMENTAL AND MOTORCYCLE CONDITION)

**ELENCO PARTI / PARTS LIST**

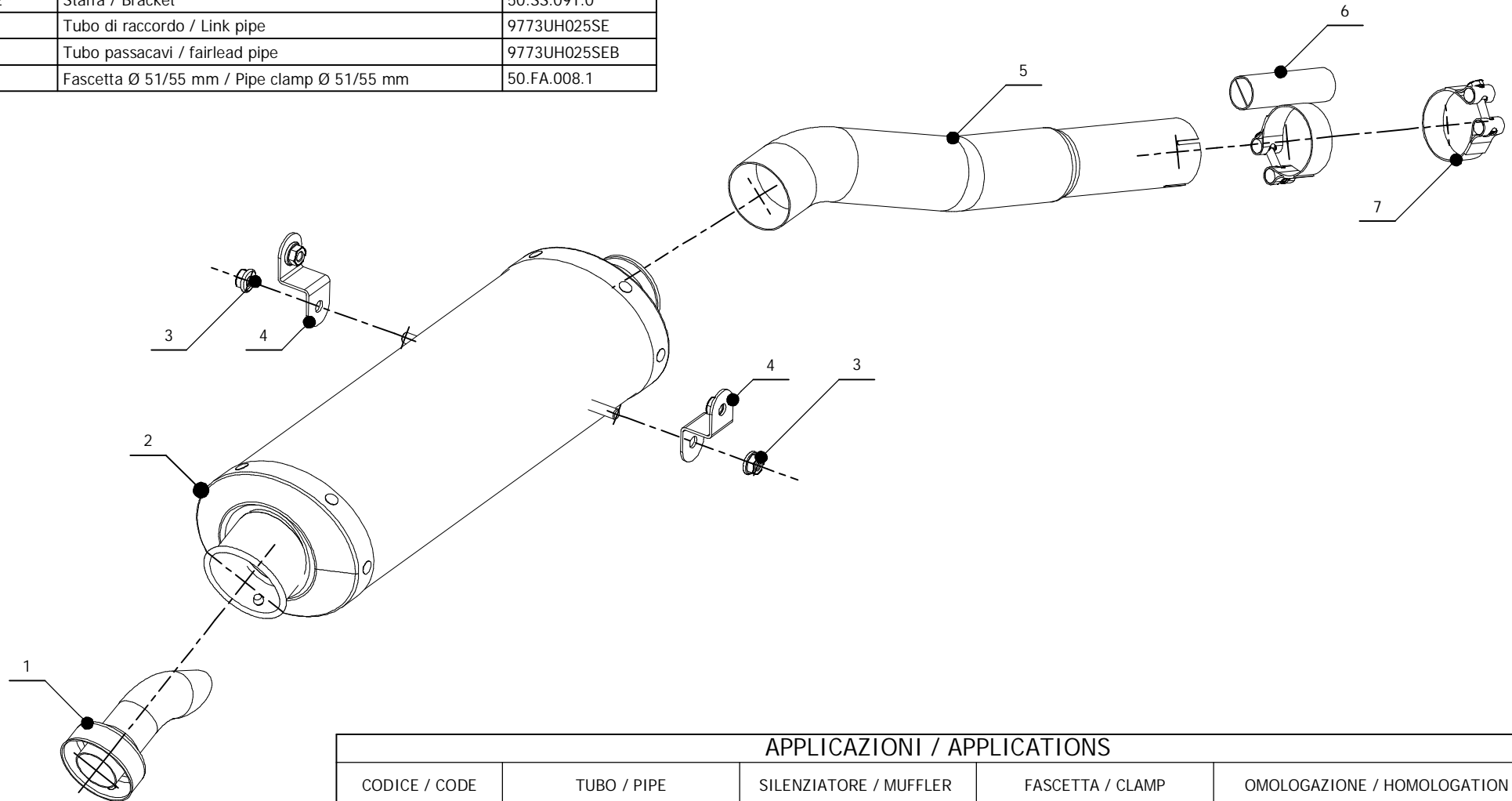
#	QTA / QTY	DESCRIZIONE / DESCRIPTION	CODICE / CODE
1	2	Anello Seger / Seger ring	50.73.218.1
2	2	DB killer / DB killer	50.DK.033.0
3	1	Silenziatore destro / Right muffler	X-cone Plus SX
4	1	Silenziatore sinistro / Left muffler	X-cone Plus DX
5	2	Dado 8 MA flangiato / Flanged nut 8 MA	50.73.052.1
6	2	Staffa / Bracket	50.SS.129.1
7	2	Distanziale in alluminio / Aluminium spacer	50.SS.061.1
8	2	Molla / Spring	50.71.080.1
9	2	Tubo in gomma per molla / Rubber pipe for spring	50.73.210.1
10	1	Tubo di raccordo / Link pipe	9773UH027SC
11	1	Tubo di raccordo / Link pipe	9773UH025SE
12	1	Tubo passacavi / fairlead pipe	9773UH025SEB
13	1	Fascetta Ø 51/55 mm / Pipe clamp Ø 51/55 mm	50.FA.008.1


**APPLICAZIONI / APPLICATIONS**

CODICE / CODE	TUBO / PIPE	SILENZIATORE / MUFFLER	FASCETTA / CLAMP	OMOLOGAZIONE / HOMOLOGATION
UH.025.LP1	INOX / STAINLESS STEEL	INOX / STAINLESS STEEL	INOX / STAINLESS STEEL	OMOLOGATO / HOMOLOGATED

**ELENCO PARTI / PARTS LIST**

#	QTÀ / QTY	DESCRIZIONE / DESCRIPTION	CODICE / CODE
1	1	DB killer / DB killer	50.DK.020.0
2	1	Silenziatore / Muffler	OVAL
3	2	Dado 8 MA flangiato / Flanged nut 8 MA	50.73.052.1
4	2	Staffa / Bracket	50.SS.091.0
5	1	Tubo di raccordo / Link pipe	9773UH025SE
6	1	Tubo passacavi / fairlead pipe	9773UH025SEB
7	1	Fascetta Ø 51/55 mm / Pipe clamp Ø 51/55 mm	50.FA.008.1


**APPLICAZIONI / APPLICATIONS**

CODICE / CODE	TUBO / PIPE	SILENZIATORE / MUFFLER	FASCETTA / CLAMP	OMOLOGAZIONE / HOMOLOGATION
UH.025.LE	INOX / STAINLESS STEEL	CARBONIO / CARBON FIBER	INOX / STAINLESS STEEL	OMOLOGATO / HOMOLOGATED
UH.025.LN	INOX / STAINLESS STEEL	TITANIO / TITANIUM	INOX / STAINLESS STEEL	OMOLOGATO / HOMOLOGATED