



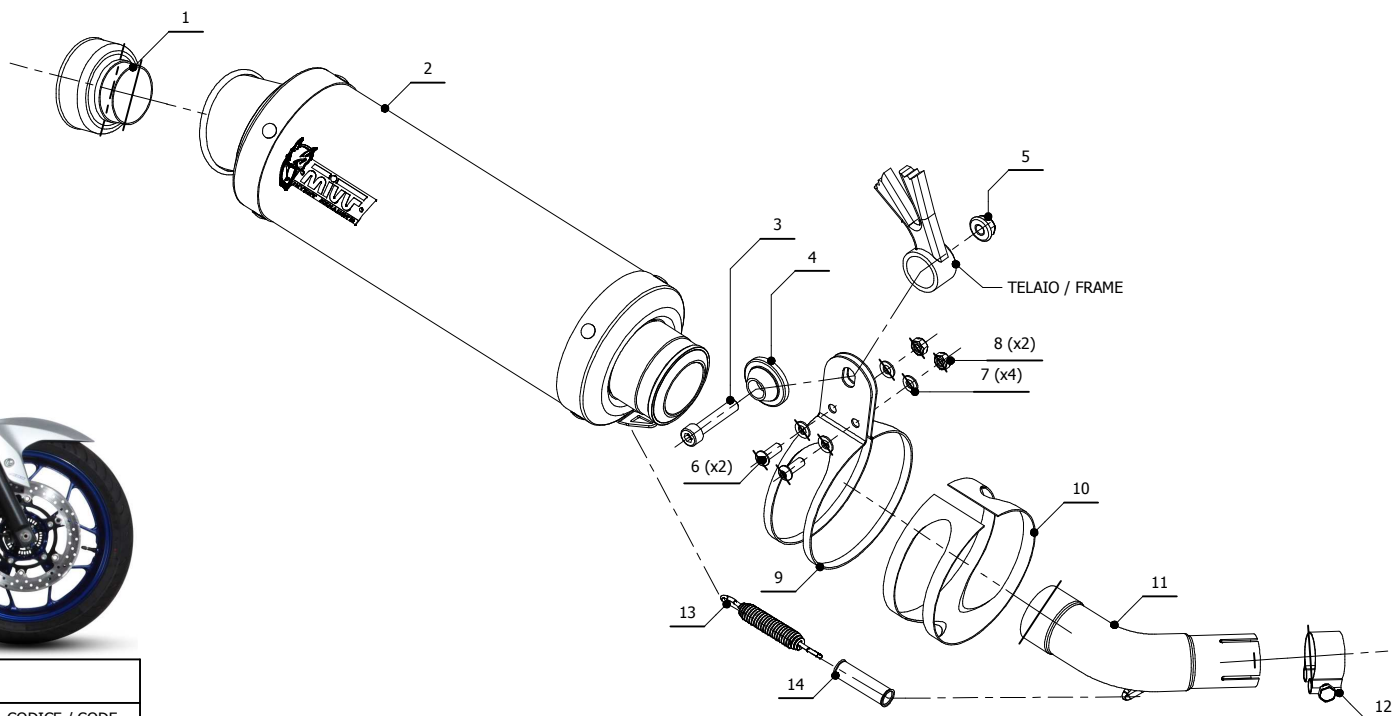
MODEL YAMAHA MT-03

YEAR 2016-

LINE SLIP ON

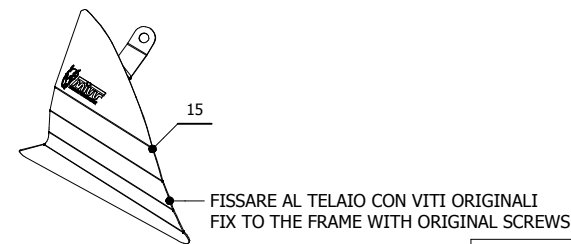
MUFFLER GP

SCHEMATIC



ELENCO PARTI / PARTS LIST

#	QTÀ / QTY	DESCRIZIONE / DESCRIPTION	CODICE / CODE
1	1	DB killer / DB killer	50.DK.067.0
2	1	Silenziatore / Muffler	GP
3	1	Vite M8x40 / Screw M8x40	50.73.075.1
4	1	Rondella in alluminio / Aluminium washer	50.73.063.1
5	1	Dado M8 flangiato / Flanged nut M8	50.73.393.1
6	2	Vite M6 x 16 / Screw M6 x 16	50.73.175.1
7	4	Rondella M6 / Washer M6	50.72.027.1
8	2	Dado M6 autobloccante / M6 locknut	50.73.112.1
9	1	Staffa / Bracket	50.SS.032.0
10	1	Protezione in gomma per staffa / Rubber protection for bracket	50.73.040.1
11	1	Tubo di raccordo / Link pipe	9773Y055S2
12	1	Fascetta Ø 31/34 mm / Pipe clamp Ø 31/34 mm	50.FA.001.1
13	1	Molla media / Middle spring	50.73.359.1
14	1	Tubo in gomma per molla / Rubber pipe for spring	50.73.210.1
15	1	Cover acciaio nero / Black steel cover	50.CR.028.0



APPLICAZIONI / APPLICATIONS

CODICE / CODE	TUBO / PIPE	SILENZIATORE / MUFFLER	FASCETTA / CLAMP
Y.055.L2S		CARBONIO / CARBON FIBER	
Y.055.L6S	INOX / ST. STEEL	TITANIO / TITANIUM	INOX / ST. STEEL
Y.055.LXB		STEEL BLACK	

