



MODEL BMW F750 GS - F 850 GS

YEAR 2018 -->

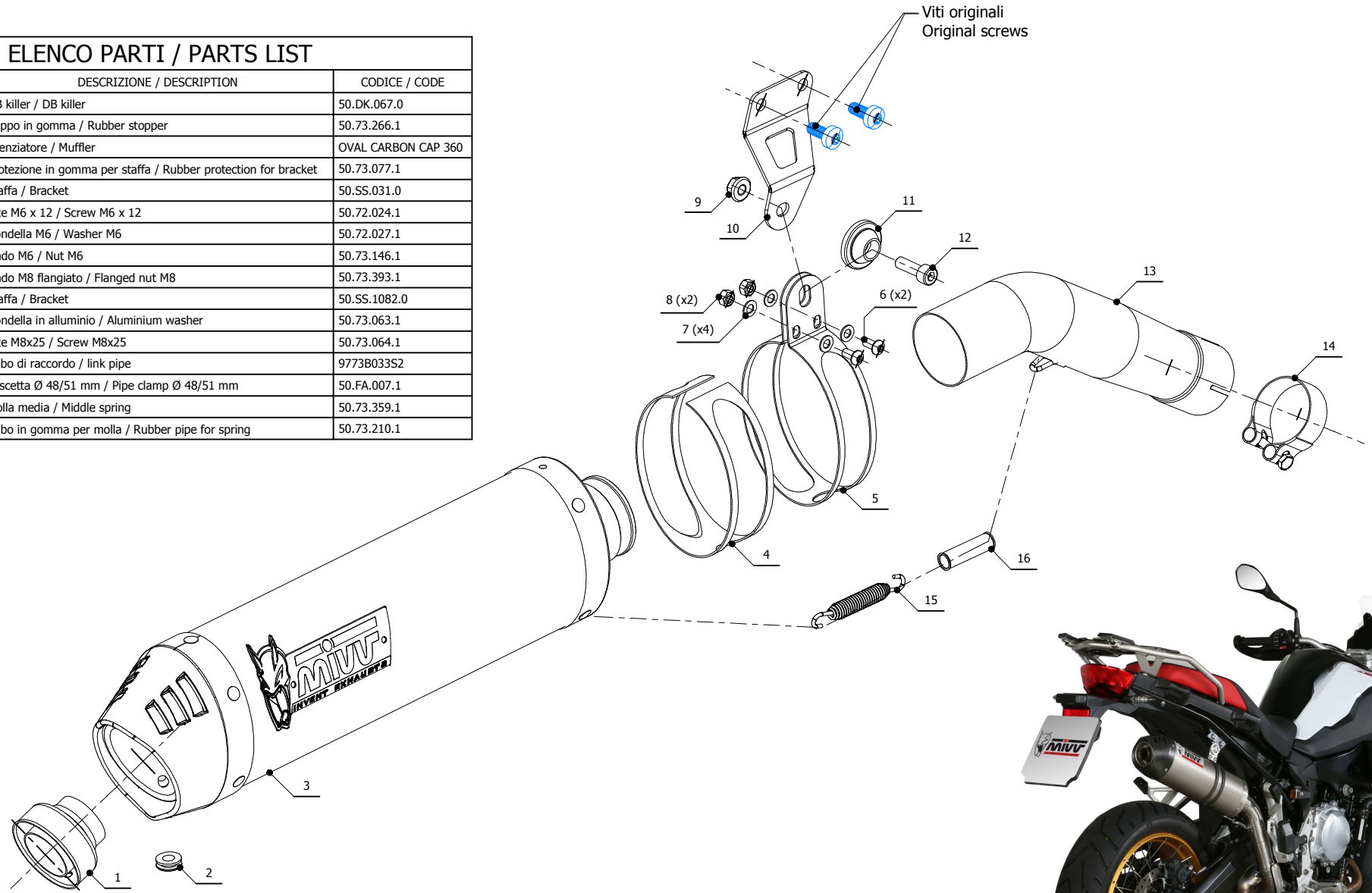
LINE SLIP ON

MUFFLER OVALE CARBON CAP

SCHEMATIC

ELENCO PARTI / PARTS LIST

#	QTÀ / QTY	DESCRIZIONE / DESCRIPTION	CODICE / CODE
1	1	DB killer / DB killer	50.DK.067.0
2	1	Tappo in gomma / Rubber stopper	50.73.266.1
3	1	Silenziatore / Muffler	OVAL CARBON CAP 360
4	1	Protezione in gomma per staffa / Rubber protection for bracket	50.73.077.1
5	1	Staffa / Bracket	50.SS.031.0
6	2	Vite M6 x 12 / Screw M6 x 12	50.72.024.1
7	4	Rondella M6 / Washer M6	50.72.027.1
8	2	Dado M6 / Nut M6	50.73.146.1
9	1	Dado M8 flangiato / Flanged nut M8	50.73.393.1
10	1	Staffa / Bracket	50.SS.1082.0
11	1	Rondella in alluminio / Aluminium washer	50.73.063.1
12	1	Vite M8x25 / Screw M8x25	50.73.064.1
13	1	Tubo di raccordo / link pipe	9773B033S2
14	1	Fascetta Ø 48/51 mm / Pipe clamp Ø 48/51 mm	50.FA.007.1
15	1	Molla media / Middle spring	50.73.359.1
16	1	Tubo in gomma per molla / Rubber pipe for spring	50.73.210.1



APPLICAZIONI / APPLICATIONS

CODICE / CODE	SILENZIATORE / MUFFLER	TUBO / PIPE	FASCETTA / CLAMP
B.033.L3C	CARBONIO (COPPA CARBONIO) / CARBON (CARBON CAP)	INOX / ST. STEEL	INOX / ST. STEEL
B.033.L4C	TITANIO (COPPA CARBONIO) / TITANIUM (CARBON CAP)		