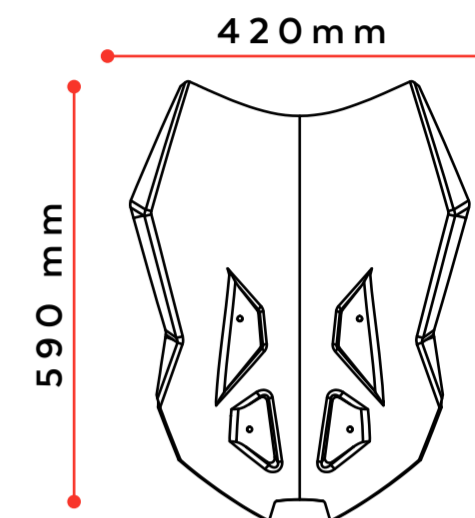


3564W +165mm/+6,49 in

3564H +165mm/+6,49 in

OEM



3564F +115mm/+4,52 in

3564H +115mm/+4,52 in

OEM

