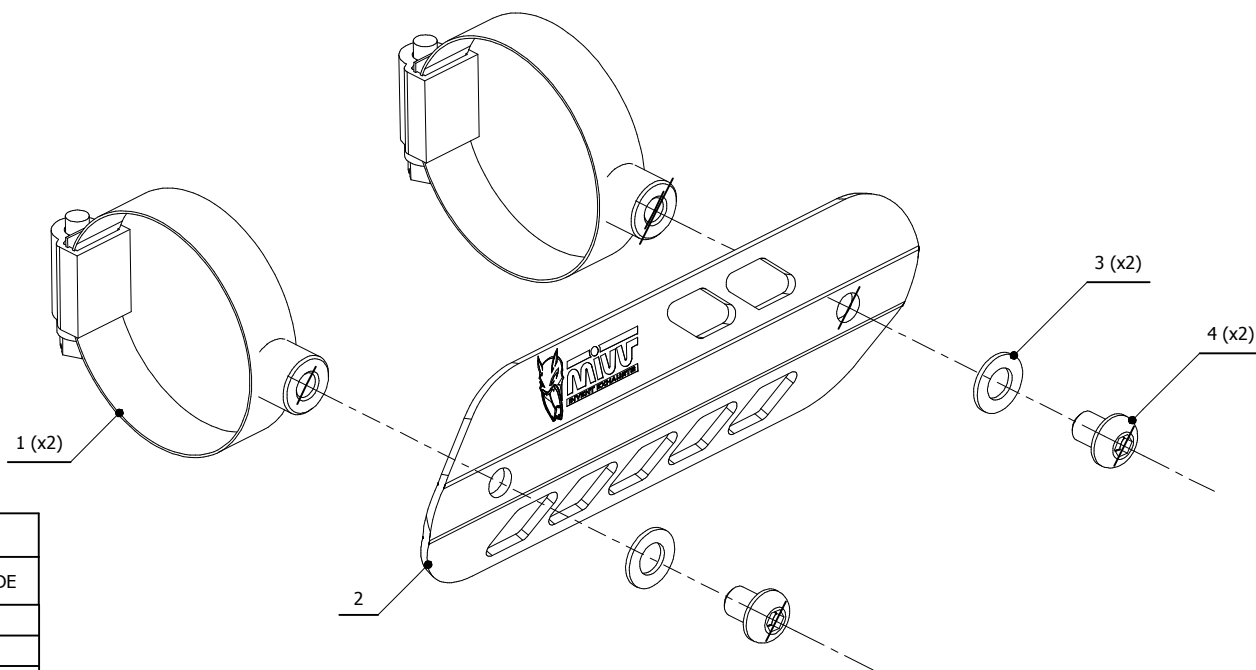




CODE ACC.050.0

LINE Cover paracalore / Heat shield cover

SCHEMATIC



ELENCO PARTI / PARTS LIST

#	QTÀ / QTY	DESCRIZIONE / DESCRIPTION	CODICE / CODE
1	2	Fascetta con bussola / Pipe clamp with bush	50.73.333.0
2	1	Copertura in alluminio / Aluminium cover	50.CR.012.0
3	2	Rondella M6 / Washer M6	50.72.027.1
4	2	Vite M6 x 8 / Screw M6 x 8	50.72.026.1

