



**MODEL** BMW S 1000 XR

**YEAR** 2015 ->

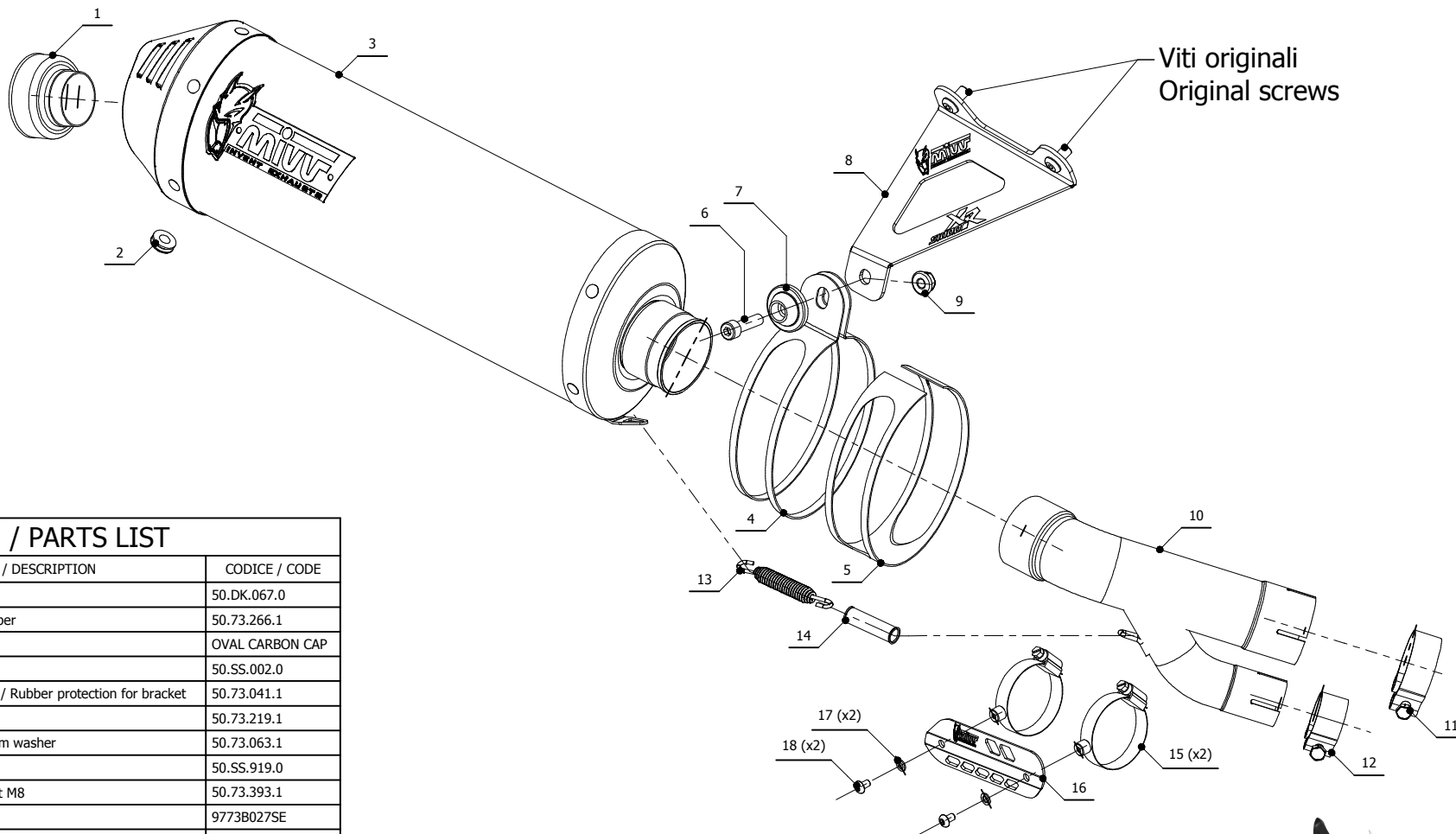
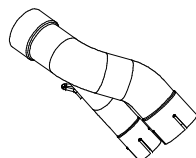
**LINE** SLIP ON

**MUFFLER** OVAL CARBON CAP

**SCHEMATIC**

**PARTI OPZIONALI  
OPTIONAL PARTS**

**COMPONENTI PASSAGGIO BASSO  
LOW POSITION PARTS  
cod.: 00.73.ACC.036.SE**



**ELENCO PARTI / PARTS LIST**

#	QTÀ / QTY	DESCRIZIONE / DESCRIPTION	CODICE / CODE
1	1	DB killer / DB killer	50.DK.067.0
2	1	Tappo in gomma / Rubber stopper	50.73.266.1
3	1	Silenziatore / Muffler	OVAL CARBON CAP
4	1	Staffa / Bracket	50.SS.002.0
5	1	Protezione in gomma per staffa / Rubber protection for bracket	50.73.041.1
6	1	Vite M8x30 / Screw M8x30	50.73.219.1
7	1	Rondella in alluminio / Aluminium washer	50.73.063.1
8	1	Staffa / Bracket	50.SS.919.0
9	1	Dado M8 flangiato / Flanged nut M8	50.73.393.1
10	1	Tubo di raccordo / Link pipe	9773B027SE
11	1	Fascetta Ø 48/51 mm / Pipe clamp Ø 48/51 mm	50.FA.007.1
12	1	Fascetta Ø 36/39 mm / Pipe clamp Ø 36/39 mm	50.FA.002.1
13	1	Molla media / Mid-size spring	50.73.359.1
14	1	Tubo in gomma per molla / Rubber pipe for spring	50.73.210.1
15	2	Fascetta / Pipe clamp	50.73.795.1
16	1	Copertura in alluminio / Aluminium cover	50.CR.012.0
17	2	Rondella M5 / Washer M5	50.73.351.1
18	2	Vite M5 x 8 / Screw M5 x 8	50.73.233.1

**APPLICAZIONI / APPLICATIONS**

CODICE / CODE	SILENZIATORE / MUFFLER	TUBO / PIPE	FASCETTA / CLAMP
B.027.LEC	CARBONIO (COPPA CARBONIO) / CARBON (CARBON CAP)	INOX / ST.STEEL	INOX / ST.STEEL
B.027.LNC	TITANIO (COPPA CARBONIO) / TITANIUM (CARBON CAP)	INOX / ST.STEEL	INOX / ST.STEEL

