

HONDA CB125R '18- / CB300R '18-

REF 9663

PLACA FRONTAL PARA / FRONT PLATE FOR / NUMMERSCHILDPLATTE FÜR



1 Person



15 min



EASY



ALLEN



Nº 5
Nº 3

ID.	PIEZA / PART	DESCRIPCIÓN	DESCRIPTION	QTY.	REF.:
1		Placa frontal ABS	ABS front plate	1	10526J/CM3
2		Soporte metálico derecho	Right metal support	1	SOPOR-2P-2-9663
3		Soporte metálico izquierdo	Left metal support	1	SOPOR-2P-2-9663
4		Silentblock M5	M5 silentblock	2	SILENBTM5-046/1
5		Tornillo allen M5x16 Ø11 ISO7380	M5x16 Ø 11 ISO7380 allen screw	2	TORNI-I7380-493
6		Arandela nylon M5x1	M5x1 nylon washer	2	ARNV0000000245
7		Tapón tornillo M5 ISO7380	M5 ISO7380 allen screw cap	2	TAPON-----85
8		Tornillo allen M5x40 Ø11 ISO7380	M5x40 ISO7380 allen screw	2	TORNI-I7380-774
9		Casquillo Ø8,5xØ14x22	Ø8,5xØ14x22 arrowhead	2	CASQUI-----150
10		Separador de silicona Ø8x2	Ø8x2 mm silicone tear	4	ADHESI-GT-D8---
11		Kit adhesivos https://www.youtube.com/watch?v=IxEcdLZ58qg	Stickers set https://www.youtube.com/watch?v=IxEcdLZ58qg	1	10535

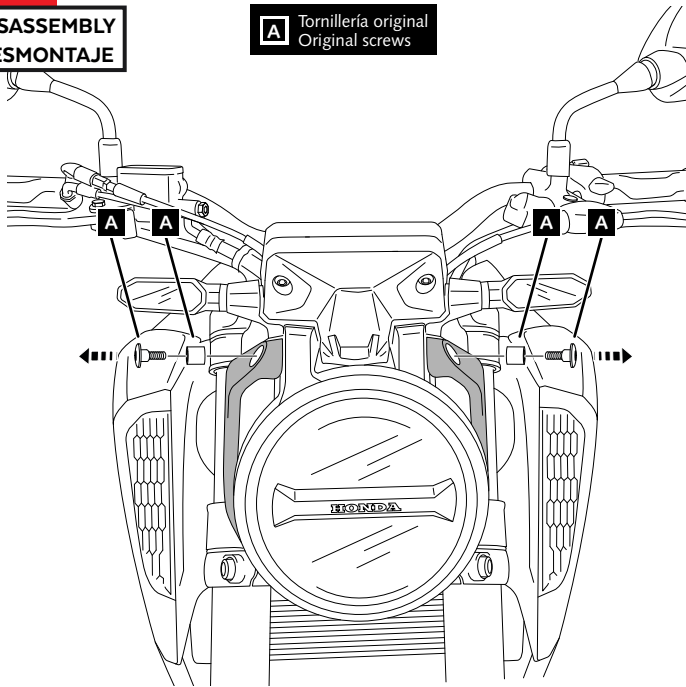
HONDA CB125R '18- / CB300R '18-

INSTRUCCIONES DE MONTAJE - MOUNTING INSTRUCTIONS - MONTAGEANLEITUNG

1

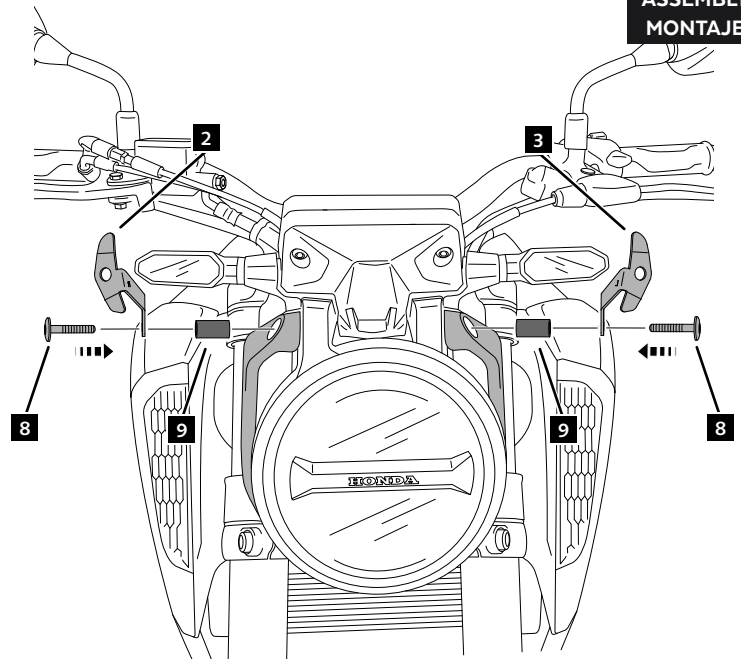
**DISASSEMBLY
DESMONTAJE**

A Tornillería original
Original screws



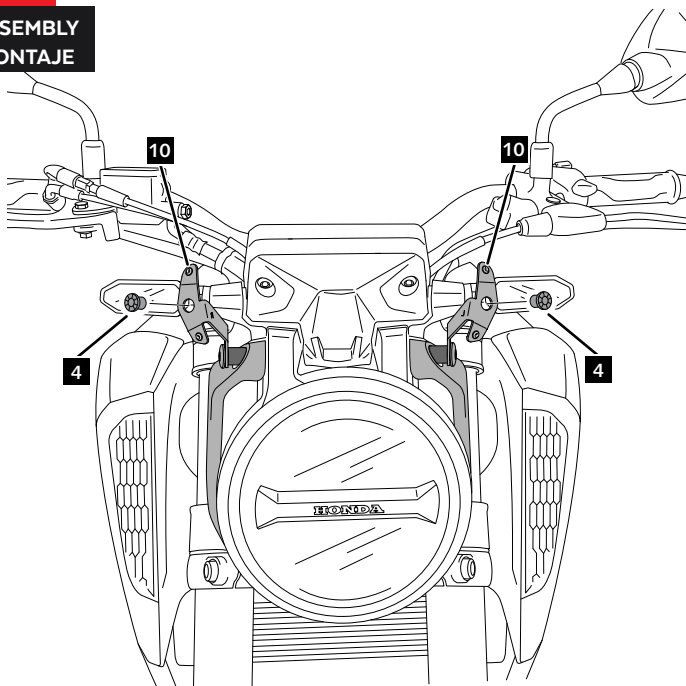
2

**ASSEMBLY
MONTAJE**



3

**ASSEMBLY
MONTAJE**



4

**ASSEMBLY
MONTAJE**

