



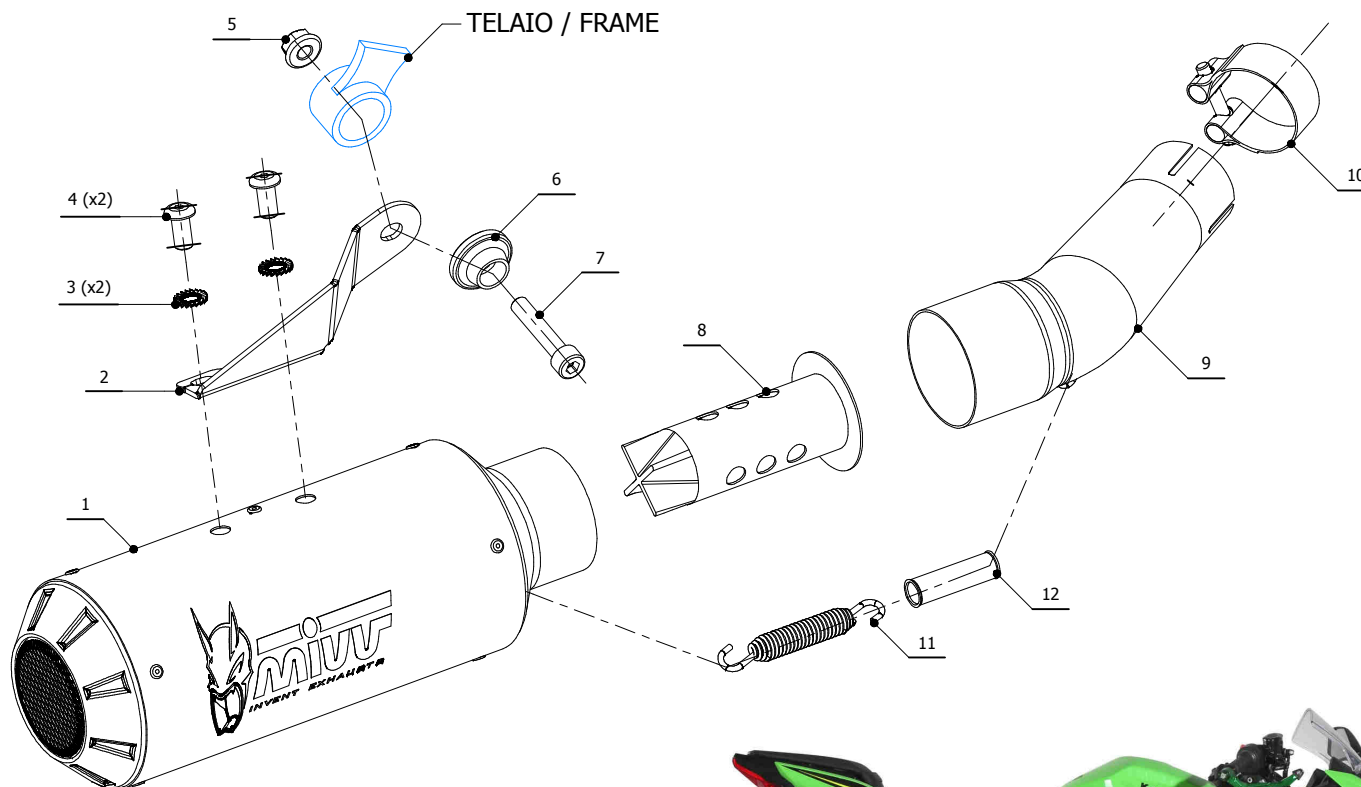
**MODEL** KAWASAKI NINJA 400  
KAWASAKI Z400

**YEAR** 2018 -->  
2019 -->

**LINE** SLIP ON

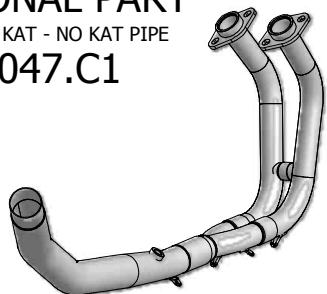
**MUFFLER** MK3

**SCHEMATIC**



**OPTIONAL PART**

TUBO NO KAT - NO KAT PIPE  
K.047.C1



Monta con silenziatore originale e con scarichi MIVV  
It fits with original silencer and with MIVV exhausts

**ELENCO PARTI / PARTS LIST**

#	QTÀ / QTY	DESCRIZIONE / DESCRIPTION	CODICE / CODE
1	1	Silenziatore / Muffler	MK3 Ø 55
2	1	Staffa / Bracket	50.SS.1186.0
3	2	Rondella di sicurezza / Safety washer	50.73.604.1
4	2	Vite M8 x 16 / Screw M8 x 16	50.73.098.1
5	1	Dado M8 flangiato / Flanged nut M8	50.73.393.1
6	1	Rondella in alluminio nera / Black aluminium washer	50.73.221.1
7	1	Vite M8x40 / Screw M8x40	50.73.075.1
8	1	Db Killer / DB killer	50.DK.081.0
9	1	Tubo di raccordo / Link pipe	9773K047SM3X
10	1	Fascetta Ø 44/47 mm / Pipe clamp Ø 44/47 mm	50.FA.006.1
11	1	Molla media / Mid-size spring	50.73.359.1
12	1	Tubo in gomma per molla / Rubber pipe for spring	50.73.210.1



**APPLICAZIONI / APPLICATIONS**

CODICE / CODE	SILENZIATORE / MUFFLER	LOGO	TUBO / PIPE
K.047.SM3B	STEEL BLACK	LASER	
K.047.SM3C	CARBONIO / CARBON FIBER	ALUMINIUM LABEL	INOX / ST. STEEL
K.047.SM3X	INOX / ST. STEEL	LASER	