

# PRODUCT SHEET

## HONDA HORNET 600

2003 > 2006

LINE SPORT - SLIP ON SYSTEMS





# Product Sheet

**HONDA**

**HONDA HORNET 600**  
2003 > 2006  
SPORT - SLIP ON SYSTEMS

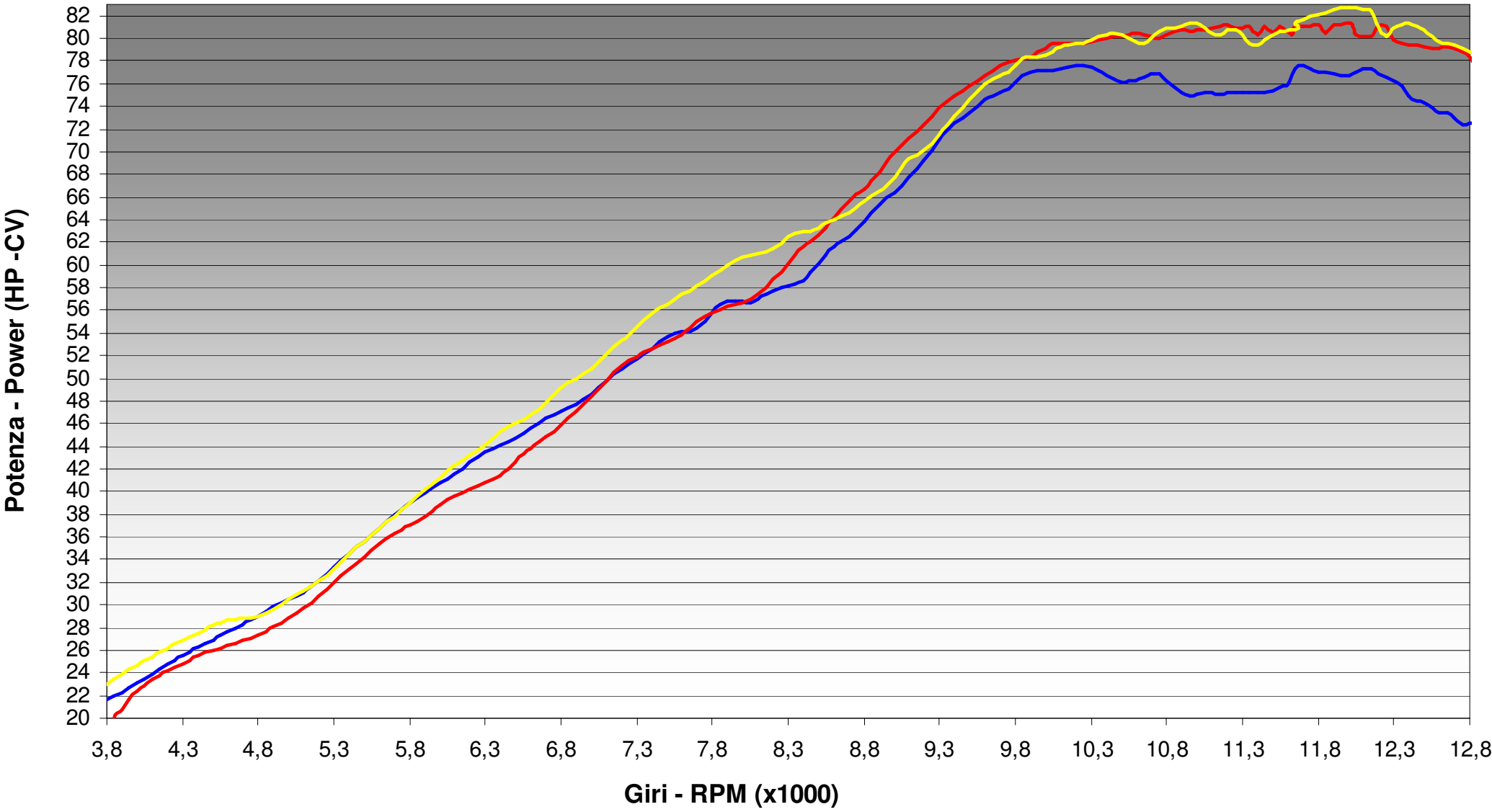
	Kit	Type	Shape	Level	Homologated
H.020.LEC	SLIP-ON	CARBON CARBON CAP	OVAL	STANDARD LEVEL	<input checked="" type="checkbox"/>
H.020.LNC	SLIP-ON	TITANIUM CARBON CAP	OVAL	STANDARD LEVEL	<input checked="" type="checkbox"/>
H.020.LX1	SLIP-ON SMALL	STAINLESS STEEL	OVAL	STANDARD LEVEL	<input checked="" type="checkbox"/>
H.020.LC3	SLIP-ON	STAINLESS STEEL	X-CONE	STANDARD LEVEL	<input checked="" type="checkbox"/>
9773H020K2	TUBE KAT	--	--	--	<input checked="" type="checkbox"/>





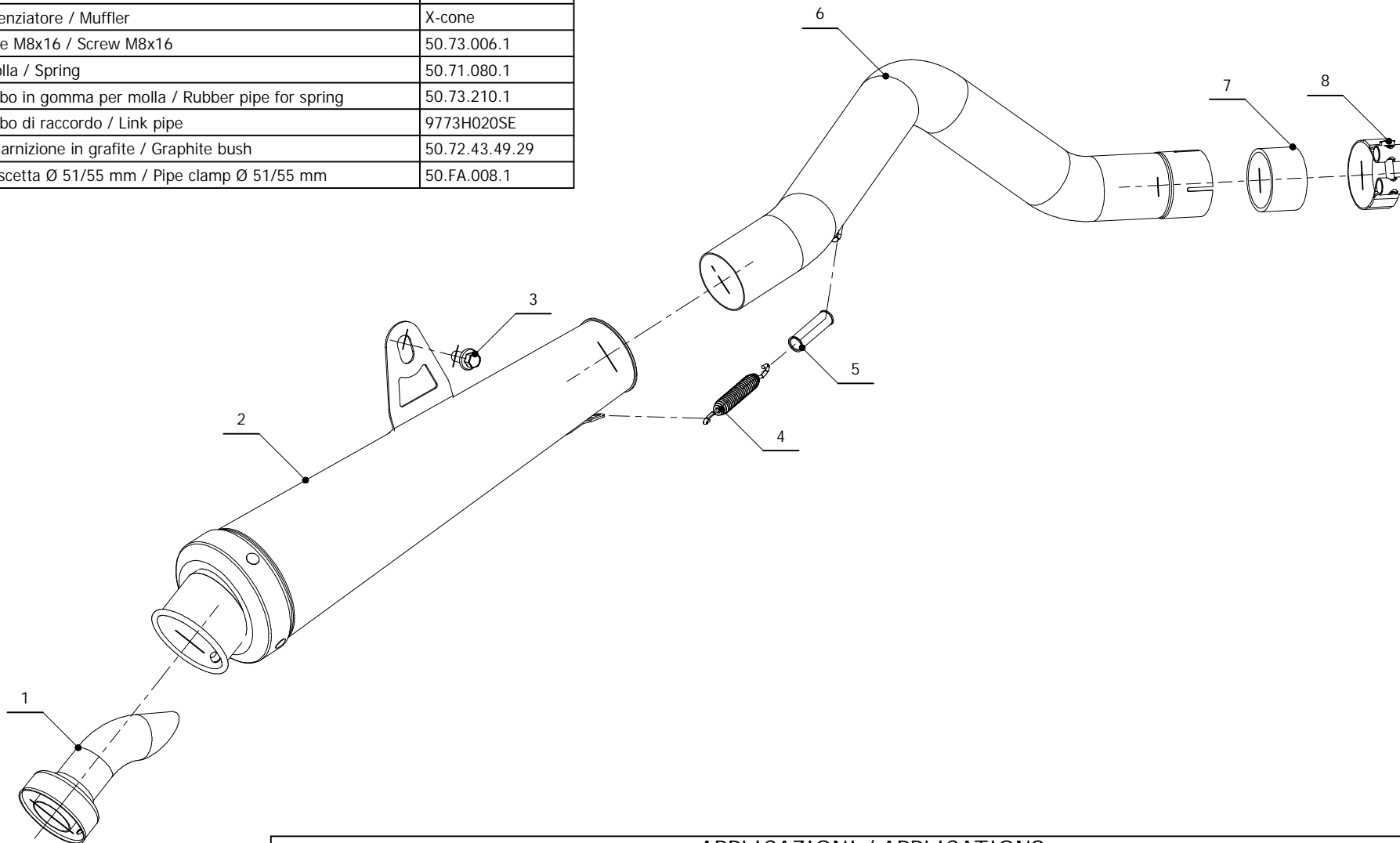
### Max Power Dynochart

- STOCK
- MIVV X-CONE OMOLOGATO
- MIVV X-CONE RACING



**ELENCO PARTI / PARTS LIST**

#	QTÀ / QTY	DESCRIZIONE / DESCRIPTION	CODICE / CODE
1	1	DB killer / DB killer	50.DK.020.0
2	1	Silenziatore / Muffler	X-cone
3	1	Vite M8x16 / Screw M8x16	50.73.006.1
4	1	Molla / Spring	50.71.080.1
5	1	Tubo in gomma per molla / Rubber pipe for spring	50.73.210.1
6	1	Tubo di raccordo / Link pipe	9773H020SE
7	1	Guarnizione in grafite / Graphite bush	50.72.43.49.29
8	1	Fascetta Ø 51/55 mm / Pipe clamp Ø 51/55 mm	50.FA.008.1


**APPLICAZIONI / APPLICATIONS**

CODICE / CODE	TUBO / PIPE	SILENZIATORE / MUFFLER	FASCETTA / CLAMP	OMOLOGAZIONE / HOMOLOGATION
H.020.LC3	INOX / STAINLESS STEEL	INOX / STAINLESS STEEL	INOX / STAINLESS STEEL	OMOLOGATO / HOMOLOGATED



**MODEL** HONDA HORNET 600

**YEAR** 2003-2006

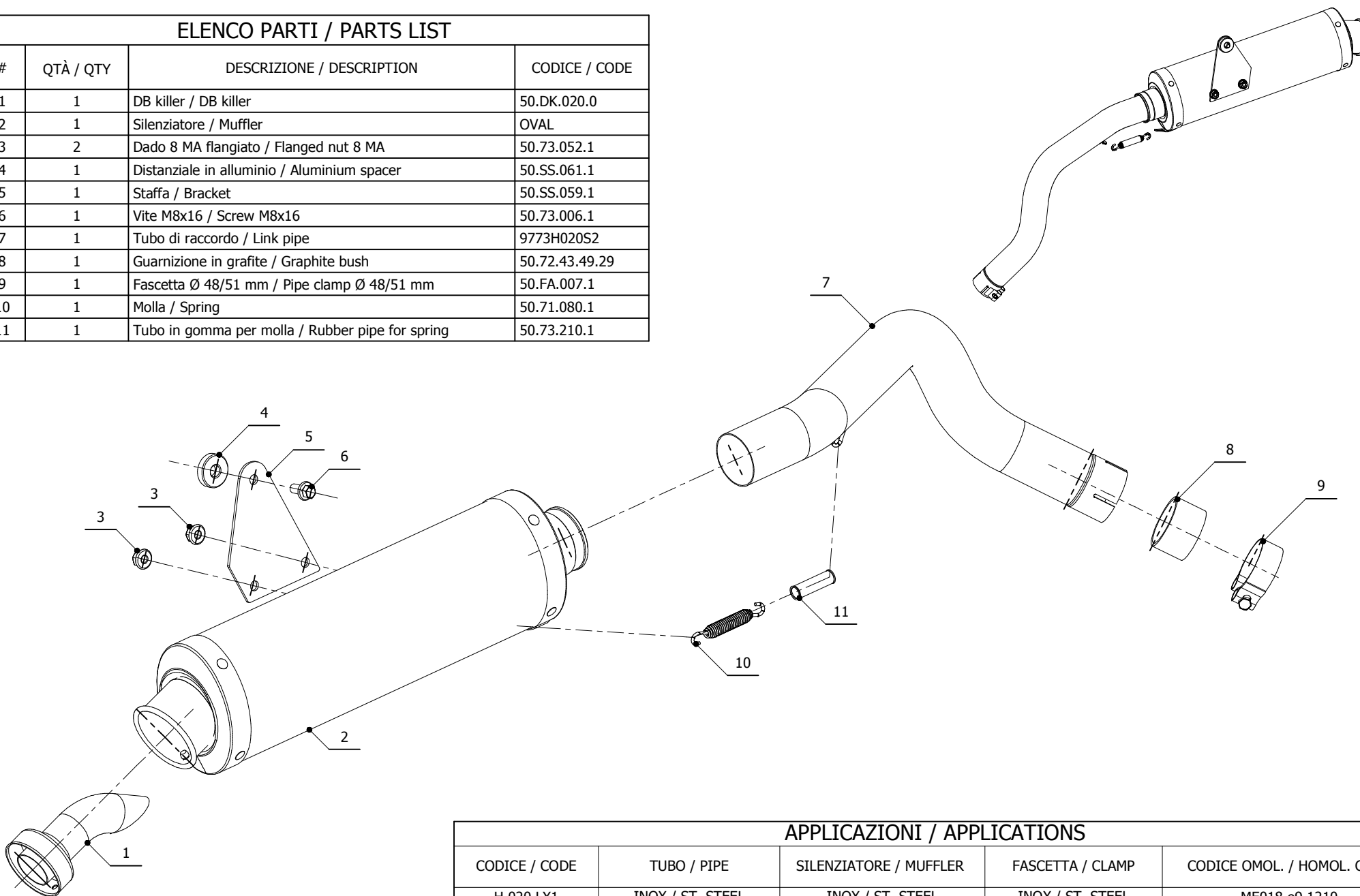
**LINE** SPORT

**MUFFLER** OVAL

**SCHEMATIC**

**ELENCO PARTI / PARTS LIST**

#	QTÀ / QTY	DESCRIZIONE / DESCRIPTION	CODICE / CODE
1	1	DB killer / DB killer	50.DK.020.0
2	1	Silenziatore / Muffler	OVAL
3	2	Dado 8 MA flangiato / Flanged nut 8 MA	50.73.052.1
4	1	Distanziale in alluminio / Aluminium spacer	50.SS.061.1
5	1	Staffa / Bracket	50.SS.059.1
6	1	Vite M8x16 / Screw M8x16	50.73.006.1
7	1	Tubo di raccordo / Link pipe	9773H020S2
8	1	Guarnizione in grafite / Graphite bush	50.72.43.49.29
9	1	Fascetta Ø 48/51 mm / Pipe clamp Ø 48/51 mm	50.FA.007.1
10	1	Molla / Spring	50.71.080.1
11	1	Tubo in gomma per molla / Rubber pipe for spring	50.73.210.1



**APPLICAZIONI / APPLICATIONS**

CODICE / CODE	TUBO / PIPE	SILENZIATORE / MUFFLER	FASCETTA / CLAMP	CODICE OMOL. / HOMOL. CODE
H.020.LX1	INOX / ST. STEEL	INOX / ST. STEEL	INOX / ST. STEEL	ME018 e9 1210



**MODEL** HONDA HORNET 600

**YEAR** 2003-2006

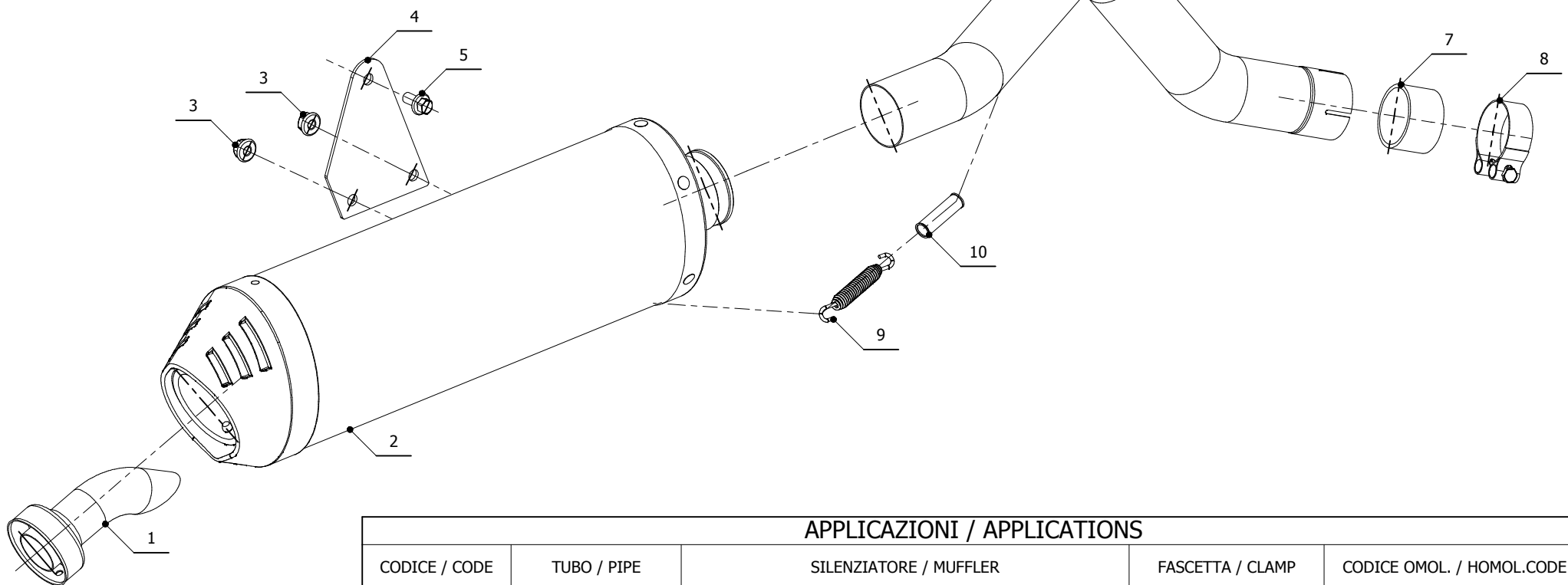
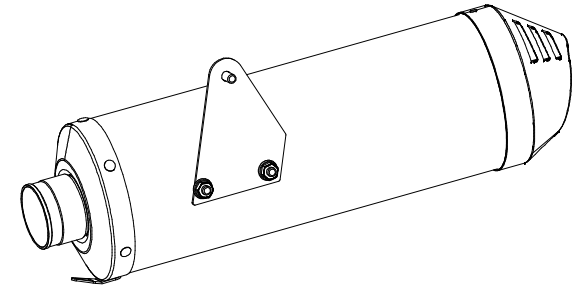
**LINE** SPORT

**MUFFLER** OVAL CARBON CAP

**SCHEMATIC**

**ELENCO PARTI / PARTS LIST**

#	QTÀ / QTY	DESCRIZIONE / DESCRIPTION	CODICE / CODE
1	1	DB killer / DB killer	50.DK.020.0
2	1	Silenziatore / Muffler	OVAL CARBON CAP
3	2	Dado 8 MA flangiato / Flanged nut 8 MA	50.73.052.1
4	1	Staffa / Bracket	50.SS.059.1
5	1	Vite M8x16 / Screw M8x16	50.73.006.1
6	1	Tubo di raccordo / Link pipe	9773H020SE
7	1	Guarnizione in grafite / Graphite bush	50.72.43.49.29
8	1	Fascetta Ø 48/51 mm / Pipe clamp Ø 48/51 mm	50.FA.007.1
9	1	Molla lunga / Long spring	50.71.080.1
10	1	Tubo in gomma per molla / Rubber pipe for spring	50.73.210.1



**APPLICAZIONI / APPLICATIONS**

CODICE / CODE	TUBO / PIPE	SILENZIATORE / MUFFLER	FASCETTA / CLAMP	CODICE OMOL. / HOMOL.CODE
H.020.LEC	INOX / ST.STEEL	CARBONIO (COPPA CARBONIO) / CARBON (CARBON CAP)	INOX / ST.STEEL	ME018 e9 1210
H.020.LNC	INOX / ST.STEEL	TITANIO (COPPA CARBONIO) / TITANIUM (CARBON CAP)	INOX / ST.STEEL	ME018 e9 1210