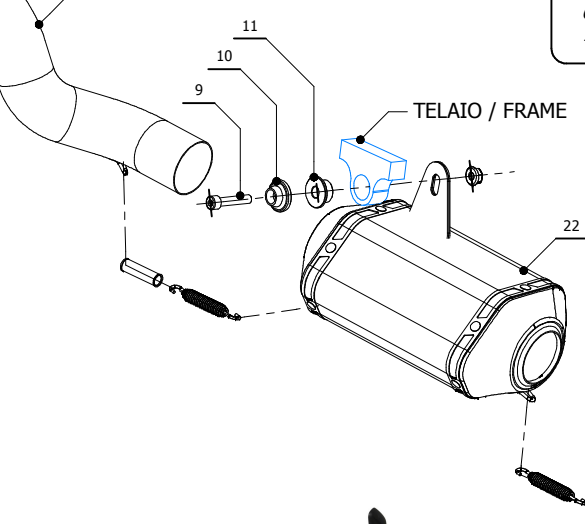
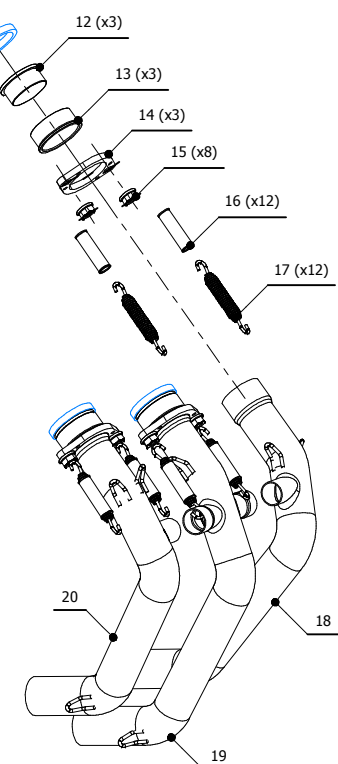


Øi 55 mm



Catalytic Converter
Cod. ACC.041.A1
Optional for Y.060.LC4B
Included in Y.060.KC4B

GUARNIZIONE ORIGINALE
ORIGINAL GASKET



ELENCO PARTI / PARTS LIST

#	QTÀ /	DESCRIZIONE / DESCRIPTION	CODICE / CODE
1	1	DB killer / DB killer	50.DK.160.0
2	1	Silenziatore / Muffler	X-M1 Ø55
3	1	Staffa / Bracket	50.SS.1231.0
4	2	Rondella di sicurezza / Safety washer	50.73.604.1
5	2	Vite M8 x 16 / Screw M8 x 16	50.73.098.1
6	1	Staffa / Bracket	50.SS.994.0
7	1	Rondella in alluminio / Aluminium washer	50.73.857.1
8	1	Vite M8x25 / Screw M8x25	50.73.064.1
9	1	Vite M8x40 / Screw M8x40	50.73.075.1
10	1	Rondella in alluminio nera / Black aluminium washer	50.73.221.1
11	1	Bussola in alluminio / Aluminium bush	50.73.182.1
12	3	Boccola interna in acciaio / Internal steel bush	50.73.337.1
13	3	Boccola esterna in acciaio / External steel bush	50.73.338.1
14	3	Flangia in alluminio / Aluminium flange	50.73.339.1
15	8	Dado M8 flangiato / Flanged nut M8	50.73.393.1
16	12	Tube in gomma per molla / Rubber pipe for spring	50.73.210.1
17	12	Molla media / Mid-size spring	50.73.359.1
18	1	Collettore #1 / Down pipe #1	9773Y049S2A
19	1	Collettore #2 / Down pipe #2	9773Y049S2B
20	1	Collettore #3 / Down pipe #3	9773Y049S2C
21	1	Tube di raccordo 3-1 / Link pipe 3-1	9773Y056SGXD
22	1	Silenziatore / Muffler	9873Y056SHXA
23	1	Tube di raccordo / Link pipe	9773Y060SM1E



APPLICAZIONI / APPLICATIONS			
CODICE / CODE	TUBO / PIPE	SILENZIATORE / MUFFLER	NOTE
Y.060.LC4B	INOX / ST. STEEL	BLACK	CATALYTIC CONVERTER NOT INCLUDED
Y.060.KC4B			CATALYTIC CONVERTER INCLUDED