



MODEL KTM DUKE 125 / 390

KTM RC 125 / 390

LINE SLIP ON

YEAR 2017 -->

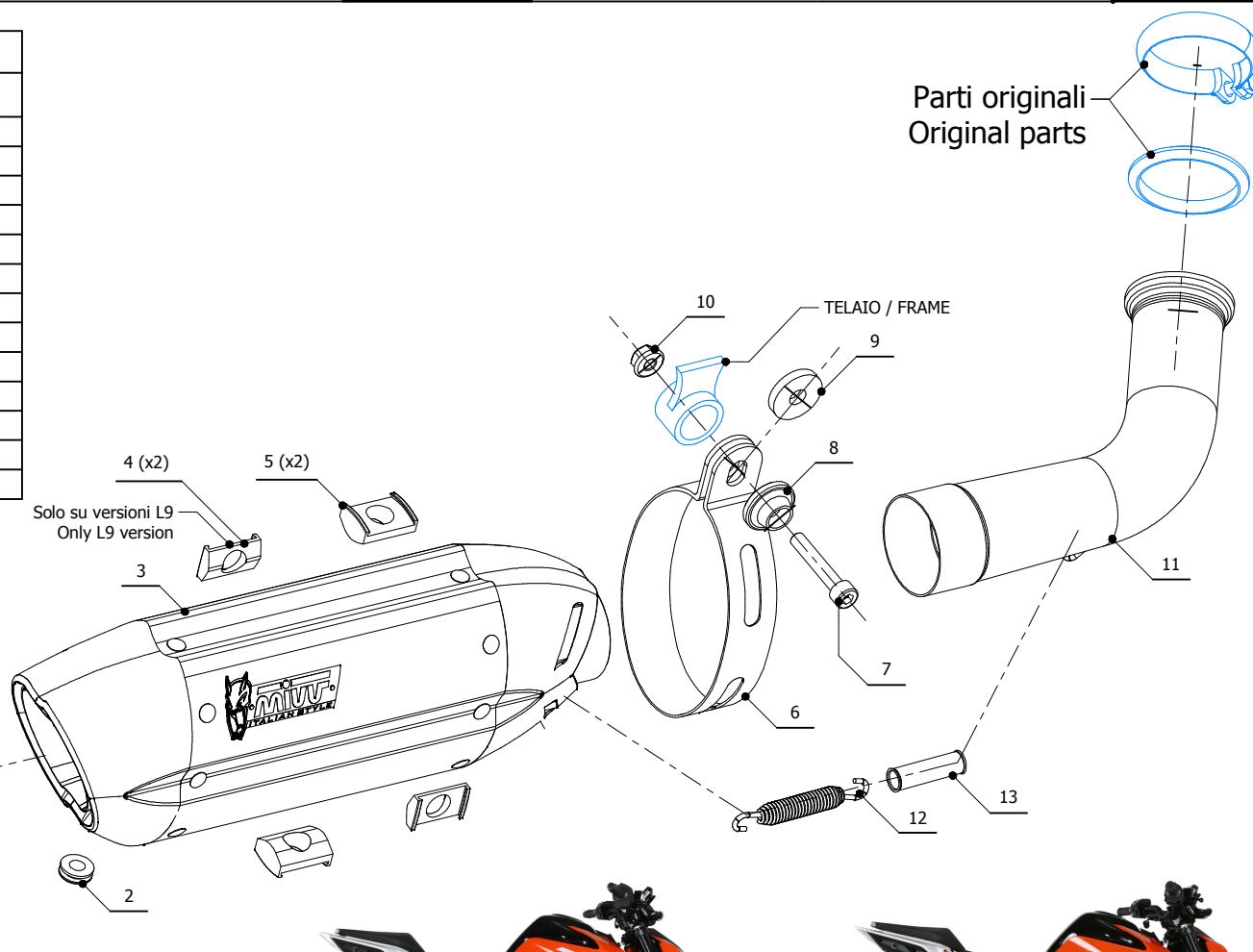
MUFFLER SUONO

SCHEMATIC

ELENCO PARTI / PARTS LIST

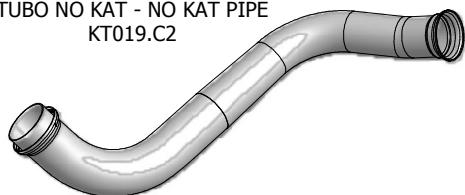
#	QTÀ / QTY	DESCRIZIONE / DESCRIPTION	CODICE / CODE
1	1	Db Killer forato / Drilled DB killer	50.DK.073.0
2	1	Tappo in gomma / Rubber stopper	50.73.266.1
3	1	Silenziatore / Muffler	SUONO 200
4	2	Tassello piccolo / Small rubber block	50.73.202.1
5	2	Tassello grande / Big rubber block	50.73.203.1
6	1	Staffa in carbonio / Carbon fiber bracket	50.SS.180.1
7	1	Vite M8x45 / Screw M8x45	50.73.602.1
8	1	Rondella in alluminio nera / Black aluminium washer	50.73.221.1
9	1	Rondella in gomma / Rubber washer	50.73.227.1
10	1	Dado M8 flangiato / Flanged nut M8	50.73.393.1
11	1	Tubo di raccordo / Link pipe	9773KT019S2
12	1	Molla media / Mid-size spring	50.73.359.1
13	1	Tubo in gomma per molla / Rubber pipe for spring	50.73.210.1

Parti originali
Original parts



OPTIONAL PART

TUBO NO KAT - NO KAT PIPE
KT019.C2



- Monta con silenzatori MIVV e con scarico originale
- It fits both MIVV and genuine silencer



APPLICAZIONI / APPLICATIONS

CODICE / CODE	SILENZIATORE / MUFFLER	TUBO / PIPE	FASCETTA / CLAMP
KT.019.L7	INOX (COPPE CARBONIO) / ST. STEEL (CARBON CAPS)	INOX / ST. STEEL	CARBONIO / CARBON FIBER
KT.019.L9	STEEL BLACK		