



BY NATIONAL CYCLE

Lexan® Hardcoated Polycarbonate  
 VStream® Windscreen  
 Z2482 Dark Tint, Short and  
 Z2483 Light Tint, Mid  
 for BMW S1000R

Thank you for purchasing a ZTechnik product. Read these instructions carefully and thoroughly before beginning work. Dealers, if installing this windscreen for a customer, please give them this manual. It contains information needed to properly maintain and use this product.



**Attention:**

Special notes and cautionary measures which can prevent damage to the accessory or motorcycle.



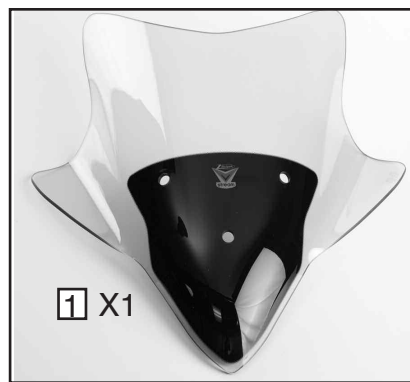
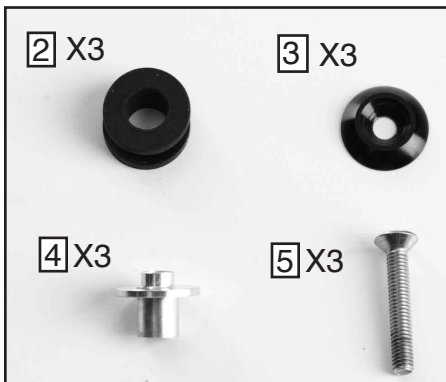
**Note:**

Tips for facilitation of operation, control and adjustment, as well as maintenance work.

**CONTENTS OF KIT**

Item	Description	Part No.	Qty.	Notes
1	VStream® Windscreen		1	
<b>Bag #1172</b>				
2	Grommet	44-447350-000	3	
3	Cap, Aluminum, Black	34-346048-000	3	
4	Bushing, Black	49-495272-000	3	
5	Screw, M5 x 30 Stainless	51-514124-000	3	

**PART IDENTIFICATION**



**TOOLS**

T25 Torx Wrench  
 3mm Hex Key



Figure 1

**PREPARATION**

1. Place motorcycle securely on its centerstand.
2. Remove the stock windscreen. These parts will not be re-used. **Figure 1**

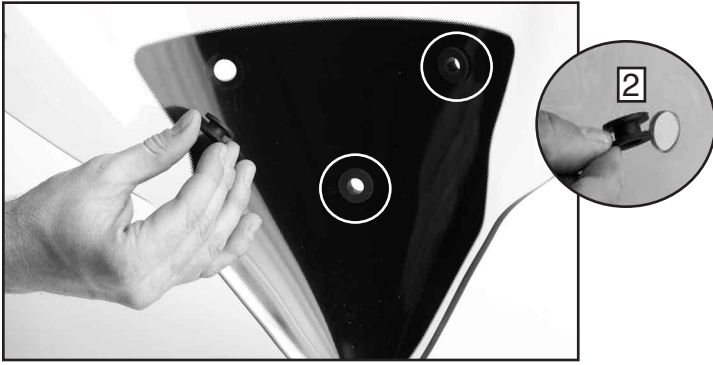


Figure 2

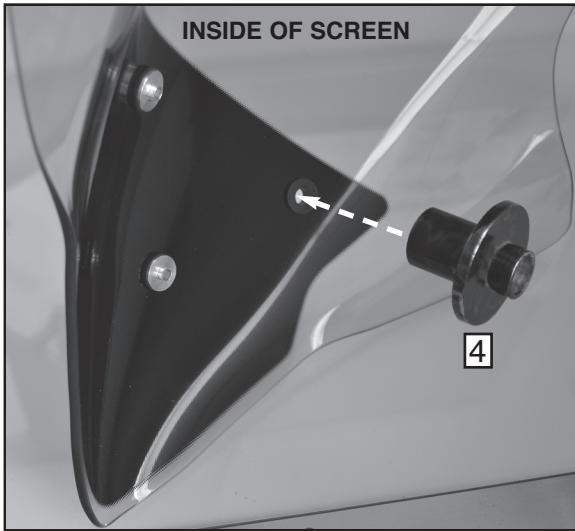


Figure 3

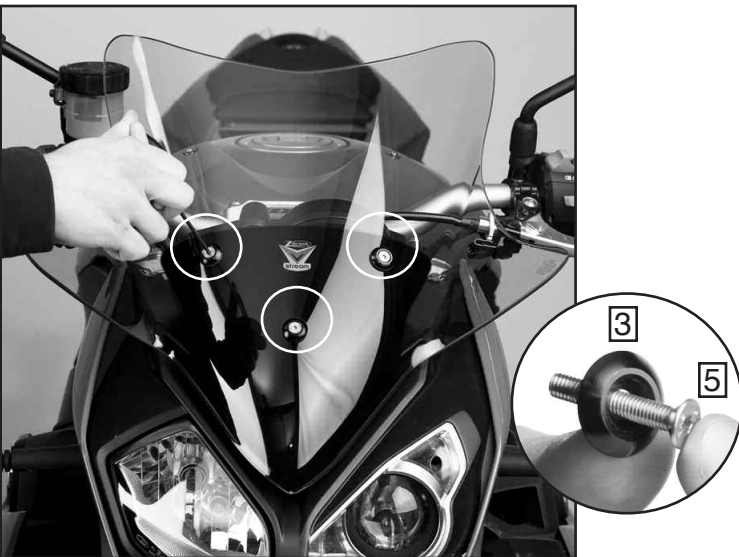


Figure 4

## INSTALLATION

1. Install one Grommet (2) into each hole on windshield. **Figure 2**

2. From the inside of windscreen, Install one bushing (4) into each hole on windscreen as shown in figure 3. **Figure 3**

3. Use one M5 Flat Screw (5) and Cap (3) to attach windscreen to motorcycle. Repeat procedure at all 3 holes.

4. Tighten screws firmly. **Figure 4 (3mm Hex Key)**



Ask for Shield Wash™ and RainZip® at your local dealer or visit [www.ztechnik.com](http://www.ztechnik.com).

## CLEANING AND MAINTENANCE

To clean the screen, wash with a clean soft cloth, plenty of warm water and if necessary, a non-abrasive soap such as dishwashing liquid. Flannel or soft chamois make good cleaning cloths. **Paint, glue residue or grease removal:** Moisten cotton with naphtha or turpentine followed by a wash as above.

National Cycle **Shield Wash™** (N1401) makes a good daily cleaner and comes with a handy travel size bottle. Shield Wash is safe for all windshields and helmet visors.

Do not clean polycarbonate in hot sun or high temperatures. Do not clean the screen with glass cleaners.

Do not allow brake fluid, alcohol, or strong solvents to contact the screen.

## RAIN REPELLENT

Do not use rain protective products made for automotive glass. We recommend National Cycle's **RainZip®** (N1410) to keep your windshield clear in rainy weather.



Register your windshield online at [www.ZTechnik.com](http://www.ZTechnik.com)

### ZTechnik 3-Year Limited Warranty

ZTechnik hereby warrants to the original registered owner of a ZTechnik polycarbonate windshield for a period of three years from the date of purchase against breakage. This limited warranty is expressly limited to the replacement of the polycarbonate windshield. This limited warranty does not include scratches, coating failure, cosmetic wear and tear, replacement of hardware, or any consequential damages or expenses including labor cost of installation, removal and/or replacement, inconvenience, inbound freight expenses or damage to any other component of the motorcycle or any other accessories. Certain chemicals, generally known as acidic hydrocarbons, are known to cause polycarbonate damage and will not be covered under this limited warranty. Please refer to the cleaning instructions supplied with all ZTechnik windshields.

Visit [www.ztechnik.com](http://www.ztechnik.com) for further details, or call or write ZTechnik / PO Box 158 / Maywood, IL 60153 / 708-3430400

## ⚠ WARNING

Never ride your motorcycle with loose accessory mounting hardware. Check the hardware for tightness regularly.

Today's motorcycles are built with enough frame rigidity to withstand the moderate loads imposed on them by the foreseeable addition of an accessory(ies). If an accessory(ies) adversely affects your motorcycle's stability, immediately remove the accessory(ies). Do not ride a motorcycle that exhibits unsafe handling traits.

Have experienced service personnel correct any problem before riding with the accessory(ies) installed. For further questions concerning handling problems associated with an accessory(ies), contact your dealer, motorcycle manufacturer, or accessory manufacturer.

Sunlight reflected off the inside curvature of the windshield can, at certain times of day, cause extreme heat buildup on the motorcycle's instruments and possibly even melt them. Exercise care in parking to avoid this. Park your motorcycle facing the sun or place an opaque object over this area.

VStream® windshield patent no. 7,387,328

ZTechnik PO Box 158 Maywood, IL 60153-0158 USA

708-343-0400 / Fax: 708-343-0625 / [www.ztechnik.com](http://www.ztechnik.com) / e-mail: [info@ztechnik.com](mailto:info@ztechnik.com)