

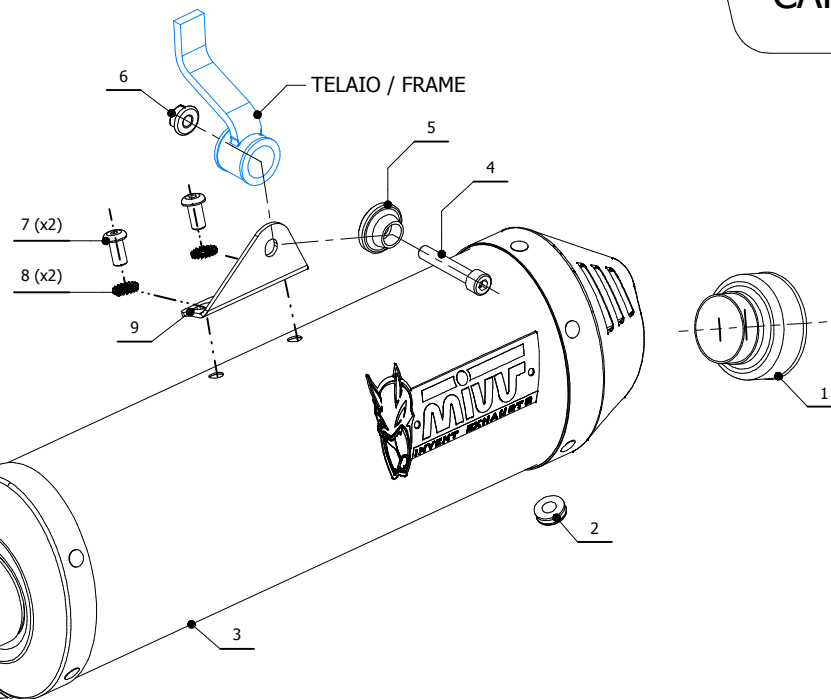
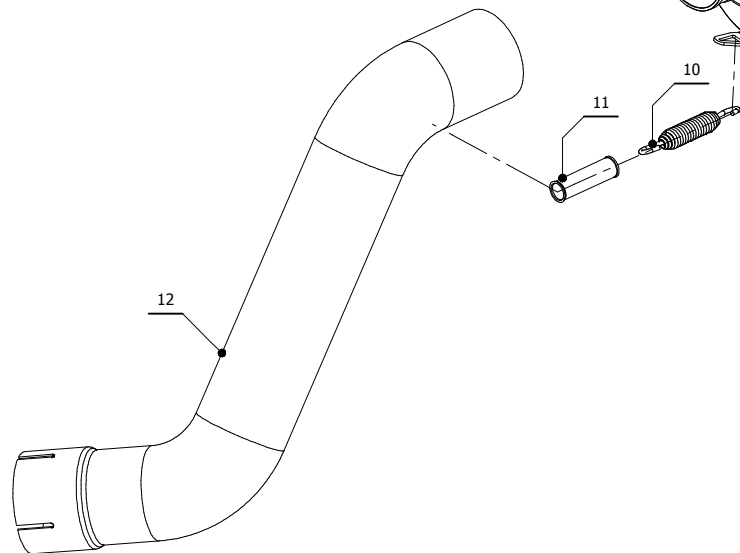


ELENCO PARTI / PARTS LIST

#	QTÀ / QTY	DESCRIZIONE / DESCRIPTION	CODICE / CODE
1	1	DB killer / DB killer	50.DK.067.0
2	1	Tappo in gomma / Rubber stopper	50.73.266.1
3	1	Silenziatore / Muffler	OVAL CARBON CAP 400
4	1	Vite M8x45 / Screw M8x45	50.73.602.1
5	1	Rondella in alluminio nera / Black aluminium washer	50.73.221.1
6	1	Dado M8 flangiato / Flanged nut M8	50.73.393.1
7	2	Vite M8 x 16 / Screw M8 x 16	50.73.098.1
8	2	Rondella di sicurezza / Safety washer	50.73.604.1
9	1	Staffa / Bracket	50.SS.1183.0
10	1	Molla media / Mid-size spring	50.73.359.1
11	1	Tubo in gomma per molla / Rubber pipe for spring	50.73.210.1
12	1	Tubo di raccordo / Link pipe	9773M013SE
13	1	Fascetta Ø 56/59 mm / Pipe clamp Ø 56/59 mm	50.FA.009.1

OPTIONAL PART

00.73.ACC.072.0  
COVER IN CARBONIO  
CARBON FIBER HEAT SHIELD



APPLICAZIONI / APPLICATIONS

CODICE / CODE	SILENZIATORE / MUFFLER	TUBO / PIPE	FASCETTA / CLAMP
M.013.LEC	CARBONIO (COPPA CARBONIO) / CARBON (CARBON CAP)	INOX / ST. STEEL	///
M.013.LNC	TITANIO (COPPA CARBONIO) / TITANIUM (CARBON CAP)		