



**MODEL** HONDA XRV 750 AFRICA TWIN

**YEAR** 1993 - 2002

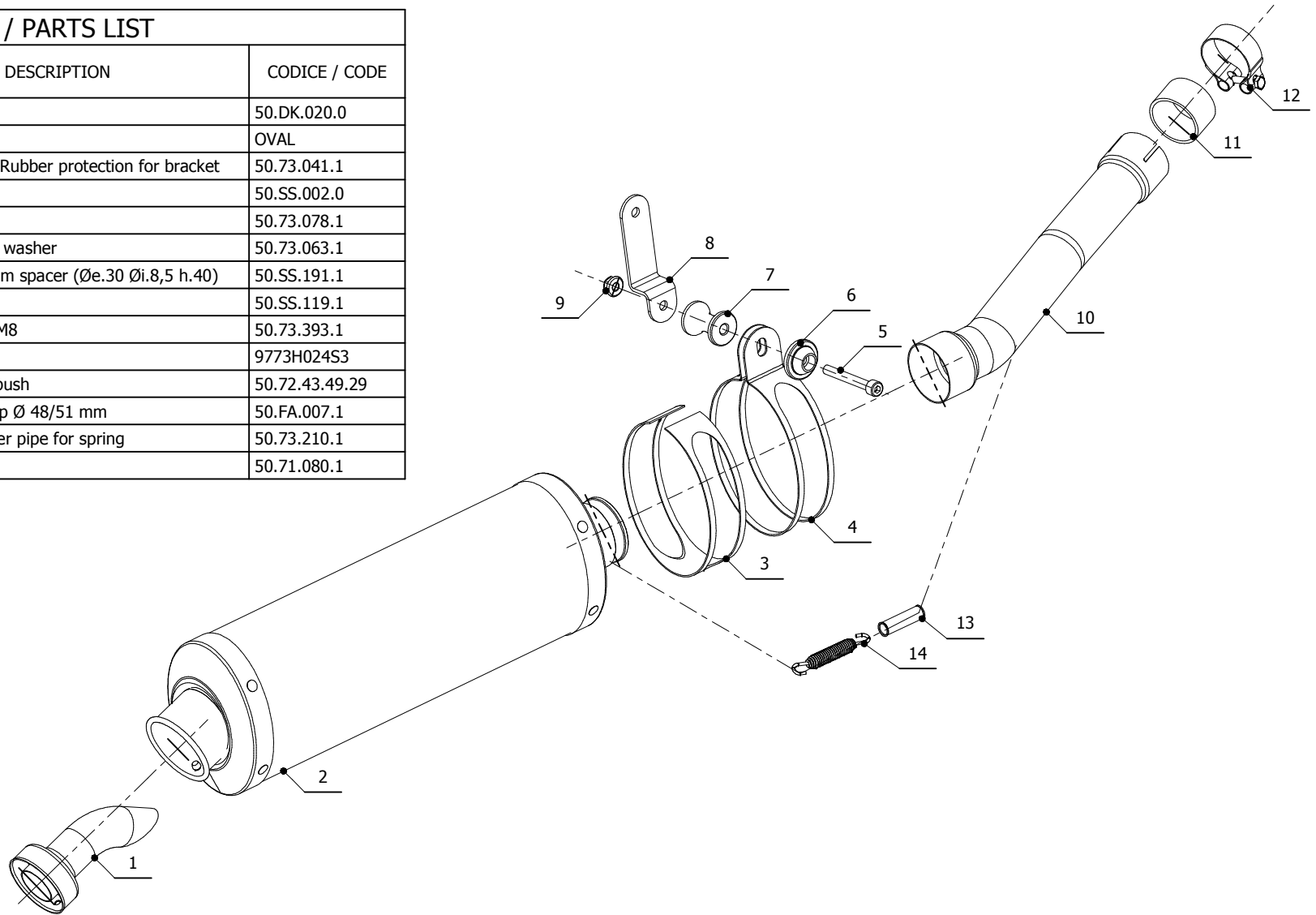
**LINE** SLIP ON

**MUFFLER** OVAL

**SCHEMATIC**

**ELENCO PARTI / PARTS LIST**

#	QTÀ / QTY	DESCRIZIONE / DESCRIPTION	CODICE / CODE
1	1	DB killer / DB killer	50.DK.020.0
2	1	Silenziatore / Muffler	OVAL
3	1	Protezione in gomma per staffa / Rubber protection for bracket	50.73.041.1
4	1	Staffa / Bracket	50.SS.002.0
5	1	Vite M8x60 / Screw M8x60	50.73.078.1
6	1	Rondella in alluminio / Aluminium washer	50.73.063.1
7	1	Distanziale in alluminio / Aluminium spacer (Øe.30 Øi.8,5 h.40)	50.SS.191.1
8	1	Staffa / Bracket	50.SS.119.1
9	1	Dado M8 flangiato / Flanged nut M8	50.73.393.1
10	1	Tubo di raccordo / Link pipe	9773H024S3
11	1	Guarnizione in grafite / Graphite bush	50.72.43.49.29
12	1	Fascetta Ø 48/51 mm / Pipe clamp Ø 48/51 mm	50.FA.007.1
13	1	Tubo in gomma per molla / Rubber pipe for spring	50.73.210.1
14	1	Molla lunga / Long spring	50.71.080.1



**APPLICAZIONI / APPLICATIONS**

CODICE / CODE	SILENZIATORE / MUFFLER	TUBO / PIPE	FASCETTA / CLAMP
H.024.LE	CARBONIO / CARBON FIBER	INOX / ST. STEEL	INOX / ST. STEEL
H.024.LN	TITANIO / TITANIUM	INOX / ST. STEEL	INOX / ST. STEEL