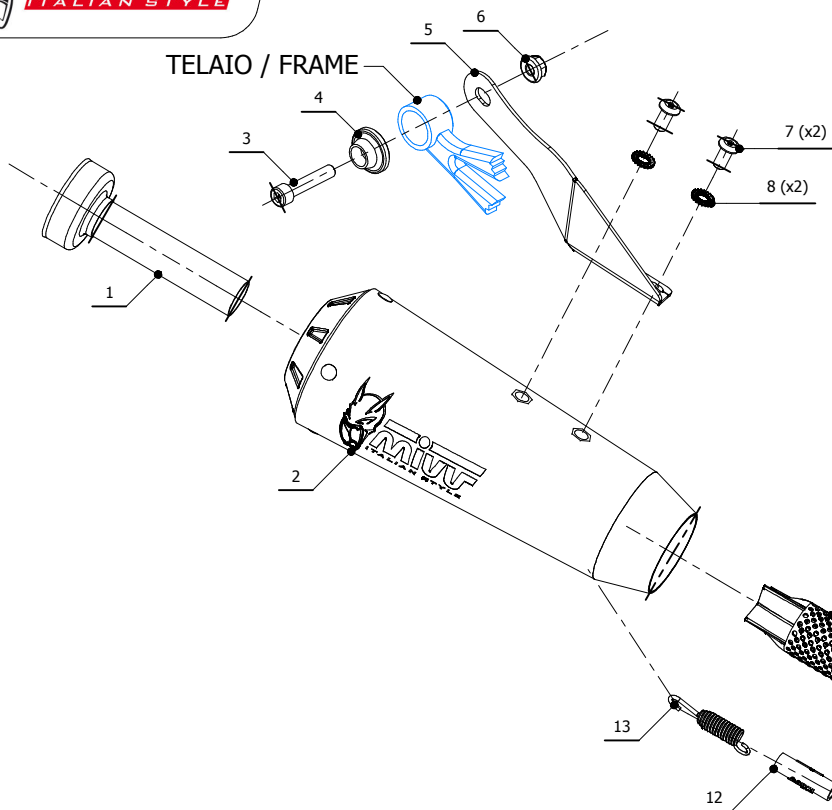




YAMAHA MT-125 2020 -->

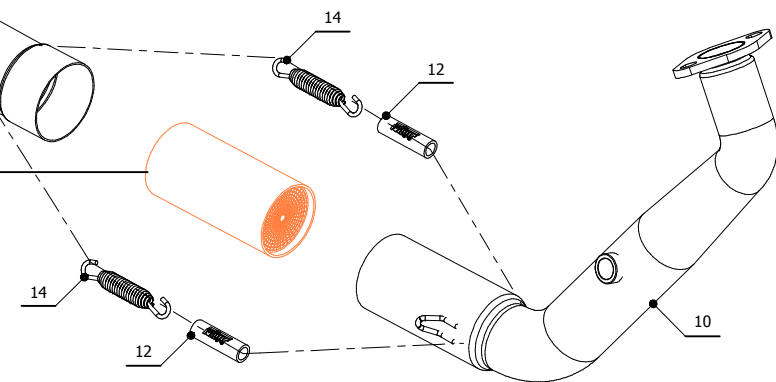
X-M1



ELENCO PARTI / PARTS LIST			
#	QTÀ / QTY	DESCRIZIONE / DESCRIPTION	CODICE / CODE
1	1	DB killer / DB killer	50.DK.159.0
2	1	Silenziatore / Muffler	X-M1 Ø55
3	1	Vite M8x40 / Screw M8x40	50.73.075.1
4	1	Rondella in alluminio nera / Black aluminium washer	50.73.221.1
5	1	Staffa / Bracket	50.SS.1286.0
6	1	Dado M8 flangiato / Flanged nut M8	50.73.393.1
7	2	Vite M8 x 16 / Screw M8 x 16	50.73.098.1
8	2	Rondella di sicurezza / Safety washer	50.73.604.1
9	1	Db Killer forato / Drilled DB killer	50.DK.082.0
10	1	Tubo collettore / Down pipe	9773Y067S2A
11	1	Tubo di raccordo / Link pipe	9773Y067S2B
12	3	Gommino per molla / Rubber for spring	50.73.210.1
13	1	Molla corta / Short Spring	50.73.123.1
14	2	Molla media / Mid-size spring	50.73.359.1



Catalytic Converter
Cod. ACC.076.A1
Optional for Y.067.LC4B
Included in Y.067.KC4B



APPLICAZIONI / APPLICATIONS			
CODICE / CODE	NOTE	TUBO / PIPE	SILENZIATORE / MUFFLER
Y.067.LC4B	CATALYTIC CONVERTER NOT INCLUDED	INOX / ST. STEEL	BLACK
Y.067.KC4B	CATALYTIC CONVERTER INCLUDED		