

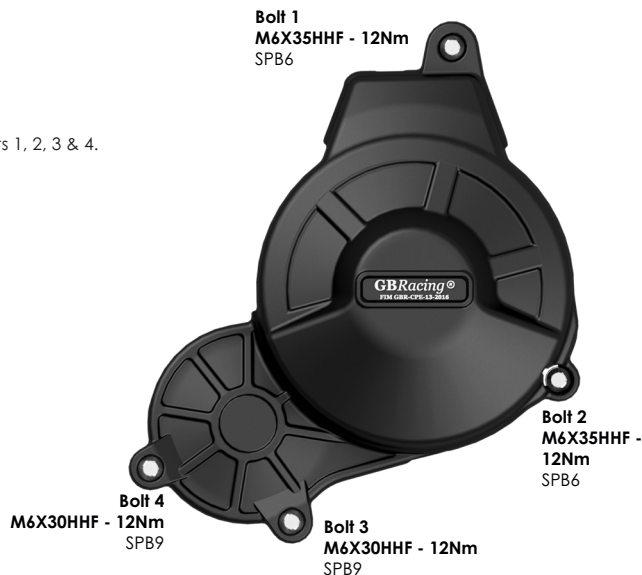
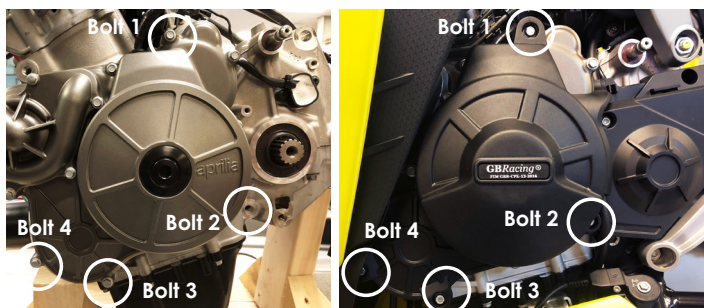
THIS SHEET INCLUDES FITTING INSTRUCTIONS FOR THE FOLLOWING PARTS:

Secondary Alternator Cover Part No. EC-RS660-2021-1-GBR / Secondary Clutch Cover Part No. EC-RS660-2021-2-GBR / Paddock Stand Bobbins Part No. BA12-6-GBR-SET / Lower Chain Guard Part No: CGA09-GBR



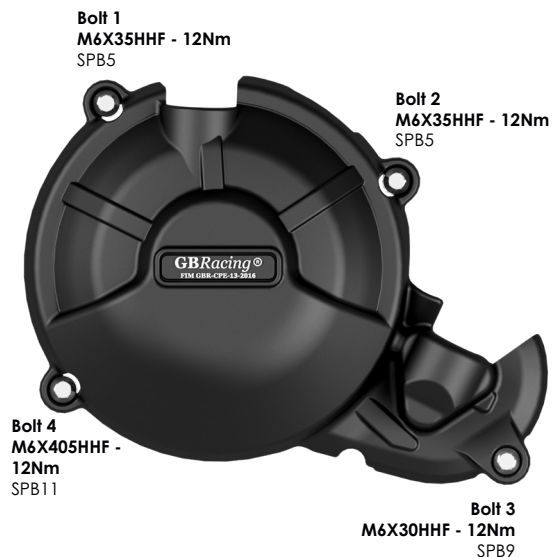
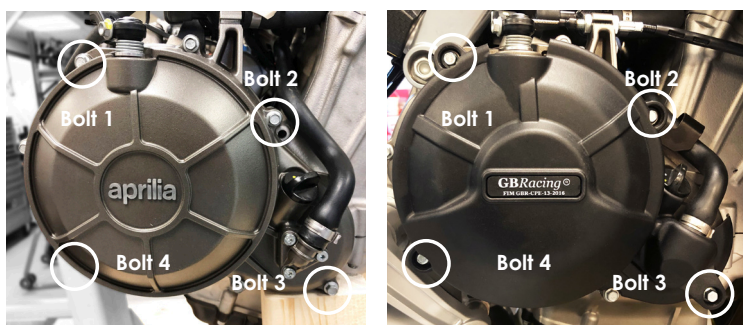
**SECONDARY ALTERNATOR COVER
PART NO. EC-RS660-2021-1-GBR**

- 1 Remove / loosen lower fairing.
 - 2 Remove 4 existing bolts from the stock Alternator cover, shown as position Bolts 1, 2, 3 & 4.
 - 3 Place the Secondary Alternator Cover over the stock cover.
 - 4 Assemble 4 replacement bolts loosely in the correct position as shown.
 - 5 Tighten bolts to a Torque of 12Nm as per Manufacturer's recommendations.
 - 6 Replace / tighten lower fairing.
- DO NOT OVERTIGHTEN.



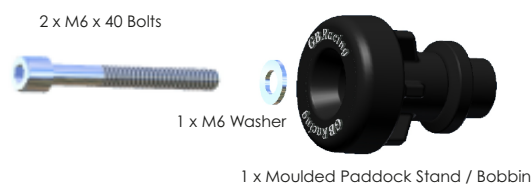
**SECONDARY CLUTCH COVER
PART NO. EC-RS660-2021-2-GBR**

- 1 Remove 4 existing bolts from the stock Clutch cover, shown as position Bolts 1, 2, 3 & 4.
 - 2 Place the Secondary Clutch Cover over the stock cover.
 - 3 Assemble 4 replacement bolts loosely in the correct position as shown
 - 4 Tighten bolts to a Torque of 12Nm as per Manufacturer's recommendations.
- DO NOT OVERTIGHTEN.



PADDOCK STAND / BOBBIN SET
PART NO. BA12-6-GBR-SET

- 1 Assemble M6 x 40mm Bolt & M6 Washer through the moulded bobbin.
- 2 Tighten bolts to swing arm boss, 8 Nm.
DO NOT OVERTIGHTEN

**LOWER CHAIN GUARD**
PART NO. CGA09-GBR

- 1 Assemble 2 off M6 x 20mm bolts and washers through the moulded lower chain guard into the Black Anodised aluminium mounting block CGA09-2.
- 2 Position the assembly underneath the swing arm, closing the gap to the rear sprocket. Note : There should be a 5mm minimum gap from the bike chain to the lower chain guard.
- 3 Mark the position of the Black Anodised block, relative to the swing arm.
- 4 Disassemble the assembly, leaving the block to be replaced into the correct position.
Mark the C/Sunk fixing hole positions on the underside of the swing arm.
- 5 Drill & Tap the marked holes , M6 - (Drill 5mm Dia. for tapping)
- 6 Re-assemble the lower chain guard to the fixed block.

