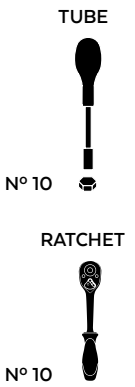


DUCATI MONSTER 1200S '17
DUCATI MULTISTRADA 1260 '18
DUCATI PANIGALE V4 '18

REF 20059N **PROTECTOR BASCULANTE PHB19 ADAPTABLE A / PHB19 SWINGARM ADAPTABLE TO**



ID.	PIEZA / PART	QTY.	REF.:
1		1	PROBAS51-1-0051
2		1	PROBAS52-1-0052
3		1	VARIFO26-0-0026
4		2	TUZBM6000000024
5		2	ARANDEPD125-054
6		2	TAPAFINALR17-18

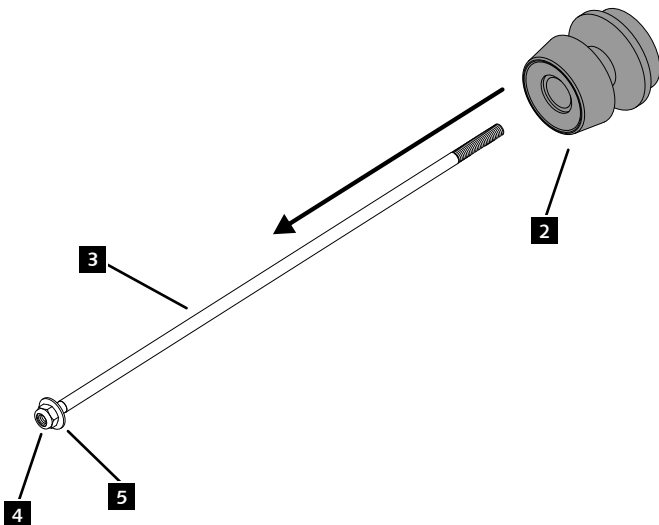
Created by www.ridiseny.com

**DUCATI MONSTER 1200S '17
DUCATI MULTISTRADA 1260 '18
DUCATI PANIGALE V4 '18**

INSTRUCCIONES DE MONTAJE - MOUNTING INSTRUCTIONS - MONTAGEANLEITUNG

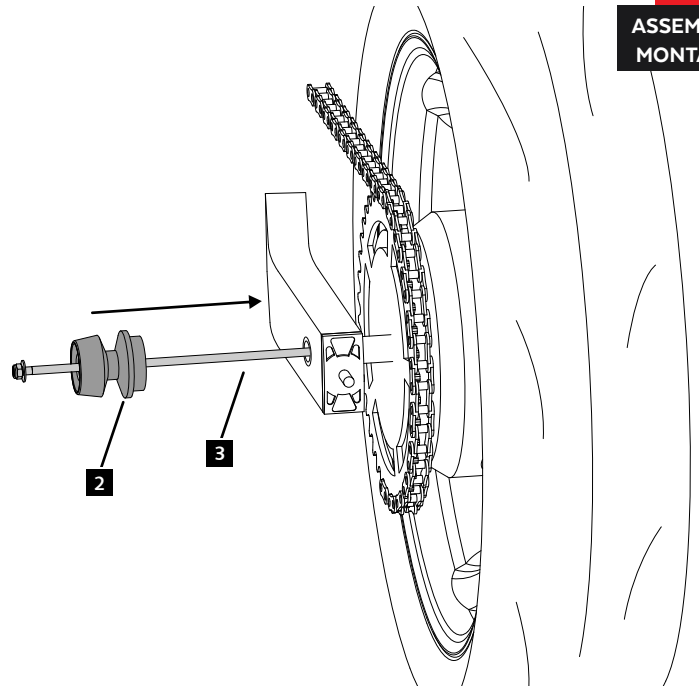
1

**ASSEMBLY
MONTAJE**



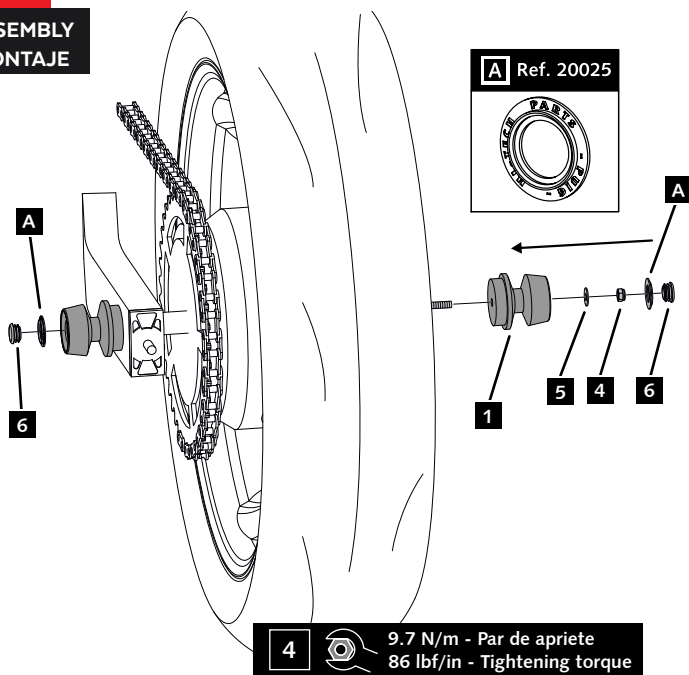
2

**ASSEMBLY
MONTAJE**



3

**ASSEMBLY
MONTAJE**



CONSULTAR EN NUESTRA PAGINA WEB LA
DISPONIBILIDAD DEL VIDEO DE MONTAJE DE
ESTA REFERENCIA.
CONSULT OUR WEBSITE THE VIDEO MOUNT
AVAILABILITY OF THIS REFERENCE.

