



EVOTECH®
P E R F O R M A N C E

Suzuki GSXR1000

Tail Tidy

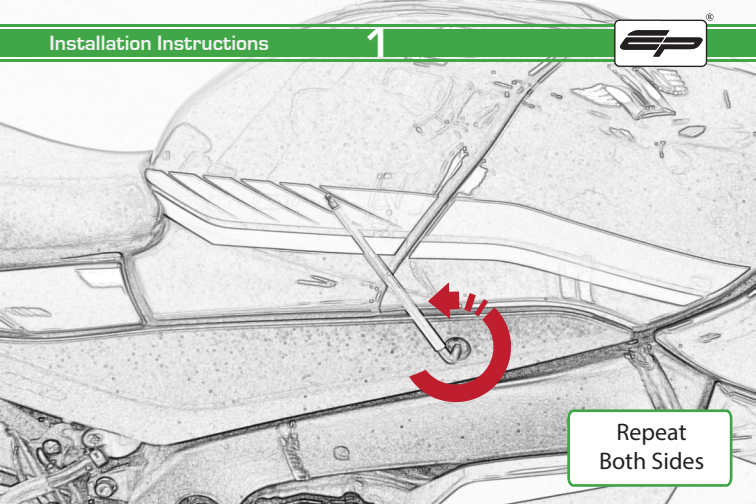
Installation Instructions



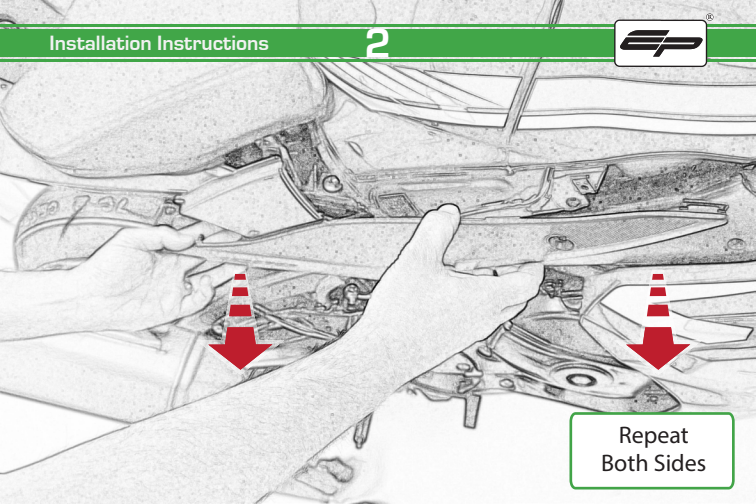
Product No: PRN013729

Kit Contents

- Ⓐ 1 x Main Bracket
- Ⓑ 1 x Sub Bracket
- Ⓒ 1 x Light Bracket
- Ⓓ 1 x Retro Light
- Ⓔ 1 x Loom Conector
- Ⓕ 2 x M4 Washer
- Ⓖ 2 x M5 x 12 Button Heads (Black)
- Ⓗ 2 x Vinyl Caps
- Ⓘ 4 x M6 x 25 Button Heads (Black)
- Ⓝ 4 x M6 Washers (Black)
- Ⓚ 4 x M4 x 8 Button Heads (Black)



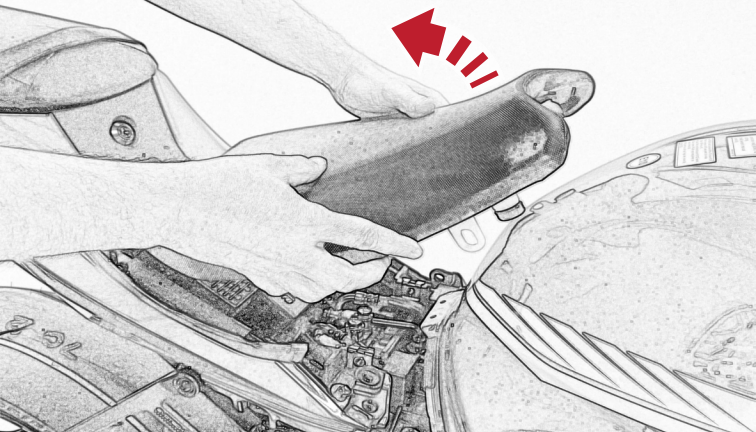
Repeat
Both Sides

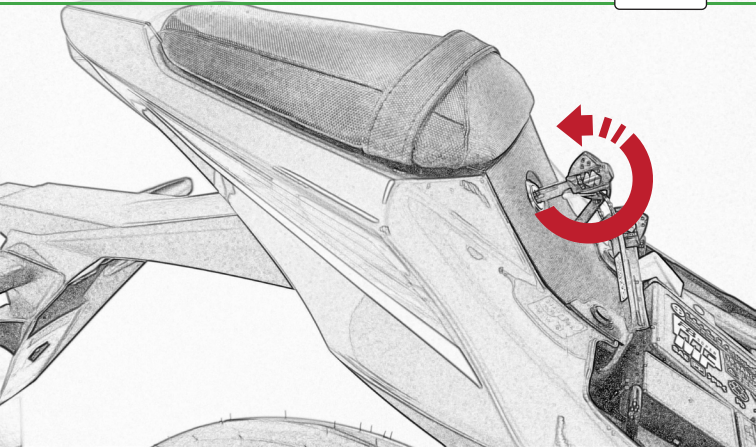


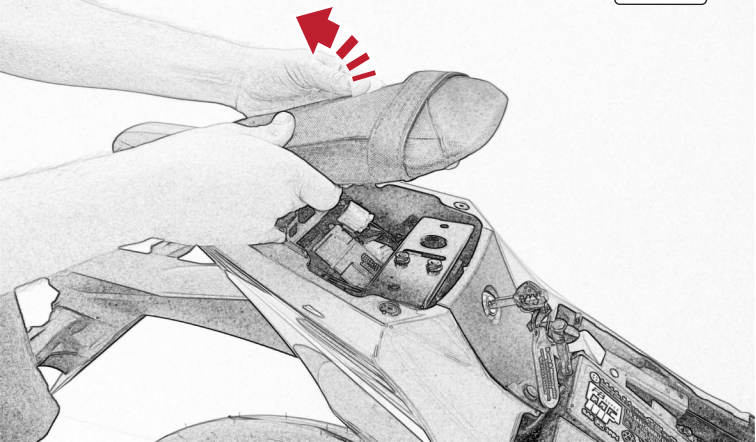
Repeat
Both Sides

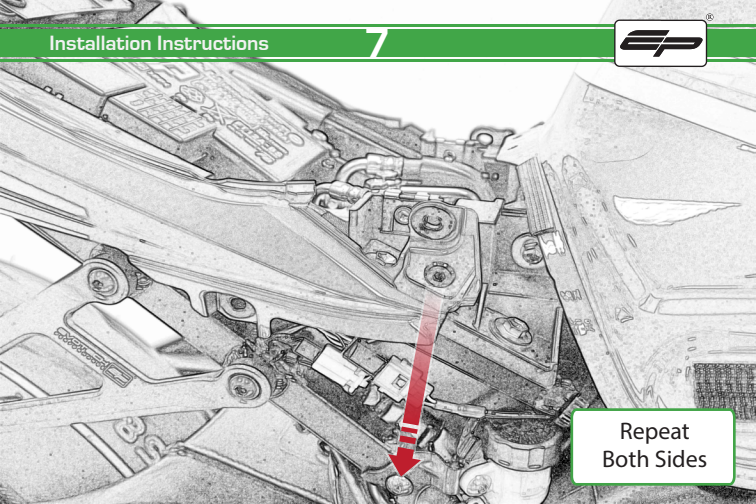


Repeat
Both Sides

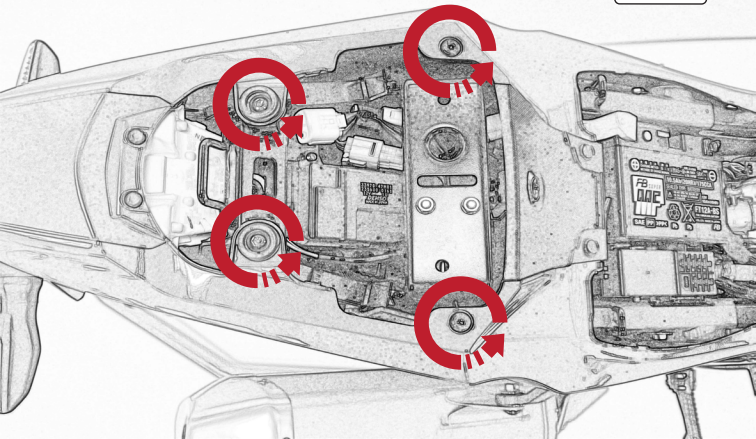


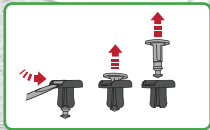




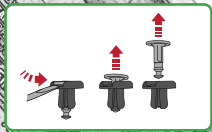
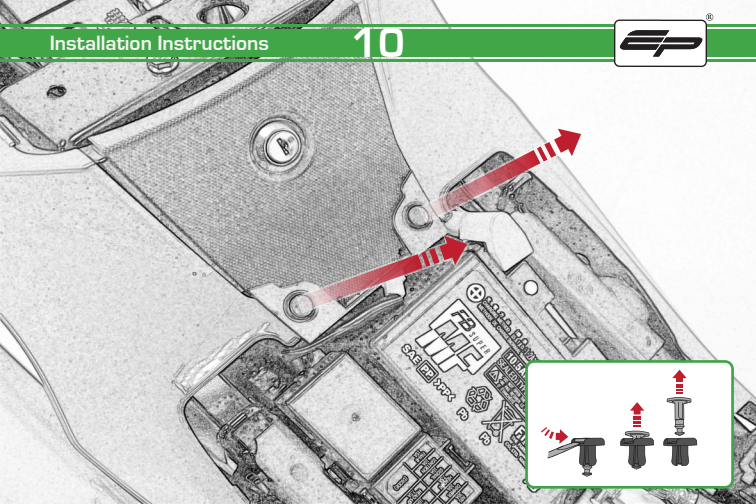


Repeat
Both Sides

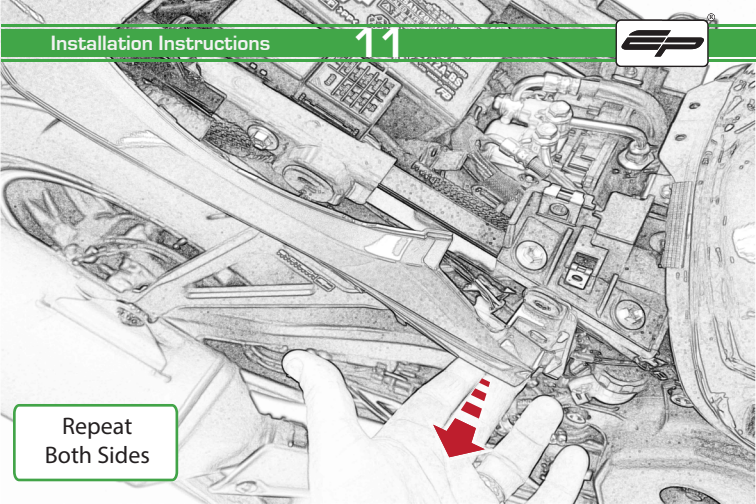


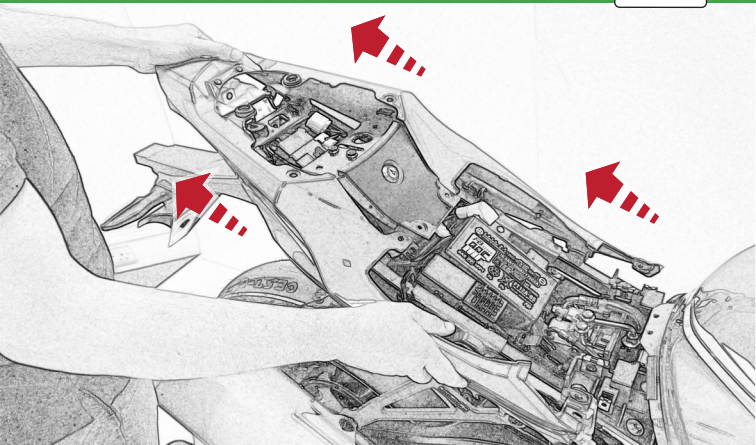


Repeat
Both Sides

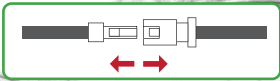
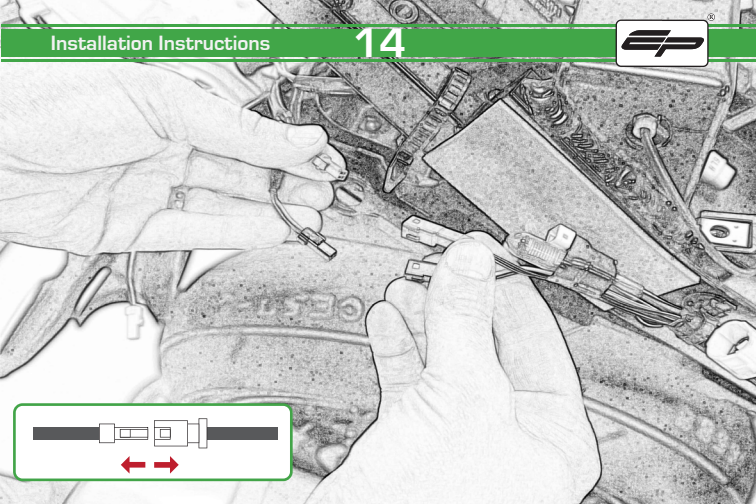


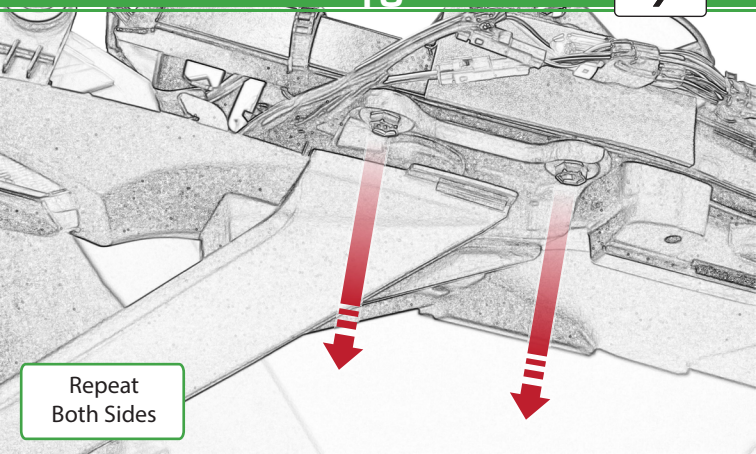
Repeat
Both Sides





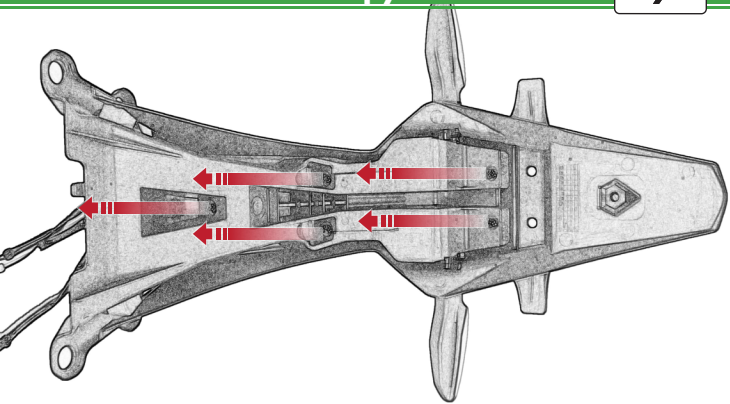


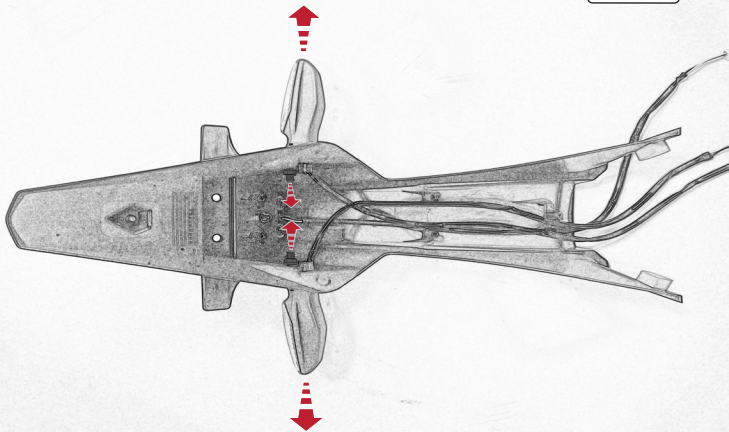


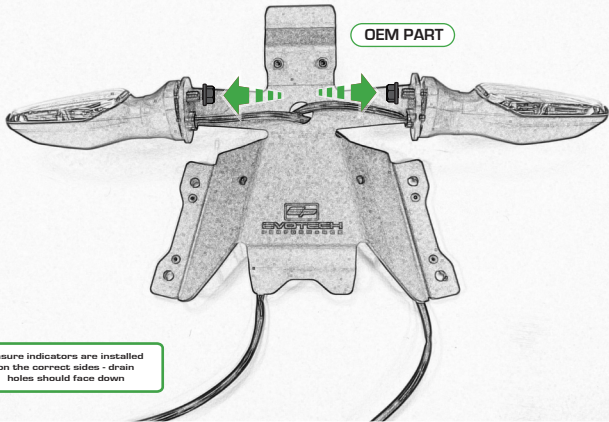


Repeat
Both Sides

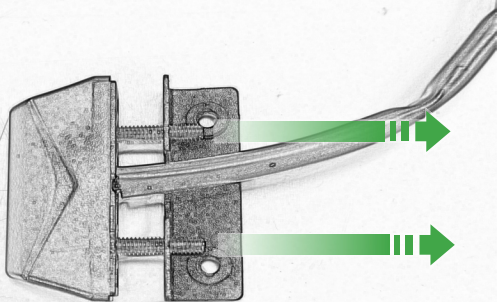


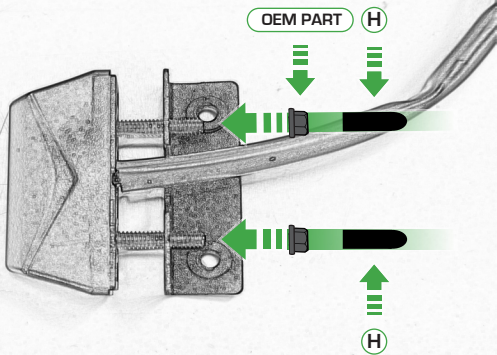


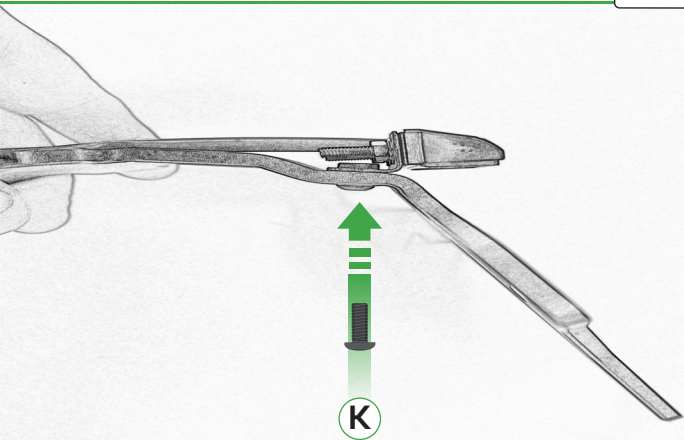


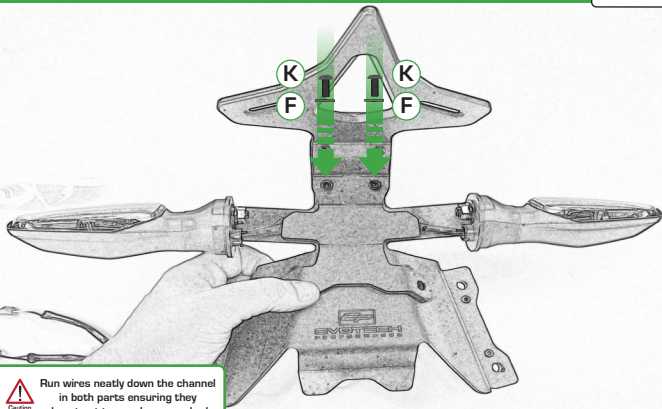


Ensure indicators are installed
on the correct sides - drain
holes should face down



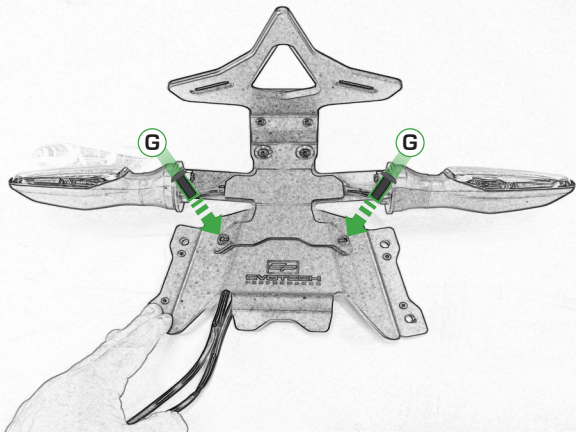


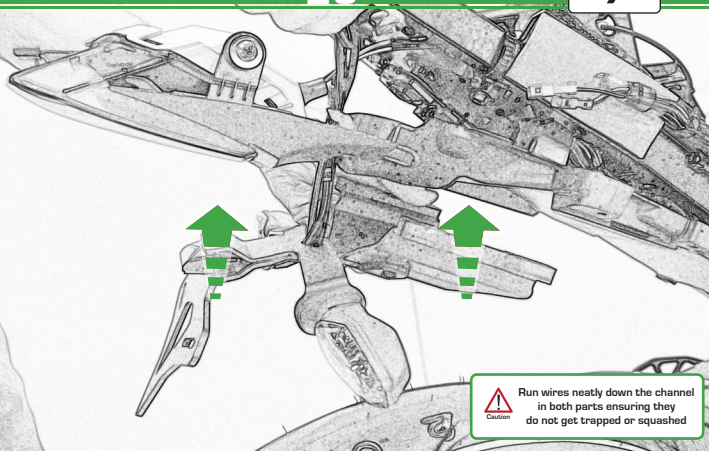




Caution

Run wires neatly down the channel in both parts ensuring they do not get trapped or squashed





Caution

Run wires neatly down the channel in both parts ensuring they do not get trapped or squashed



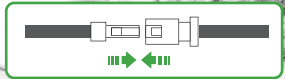
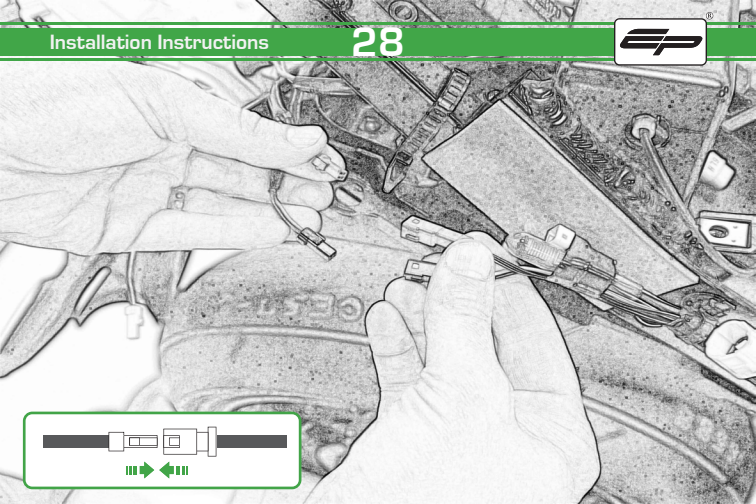
Repeat
Both Sides



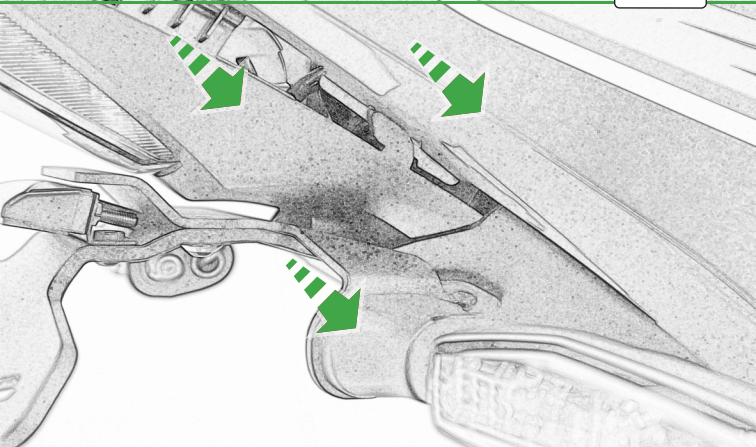


Caution

CHECK ALL ELECTRICS WORK
CORRECTLY, INCLUDING
INDICATORS AND PLATE LIGHT
BEFORE RIDING



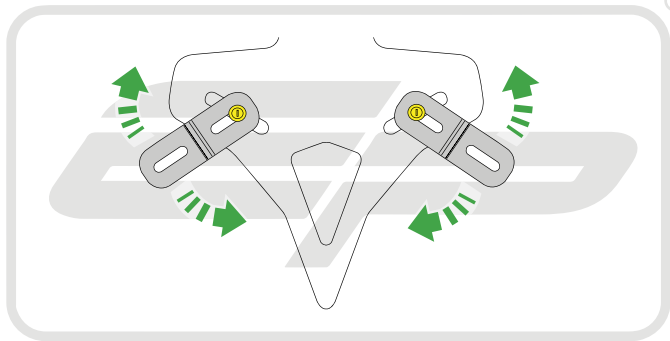


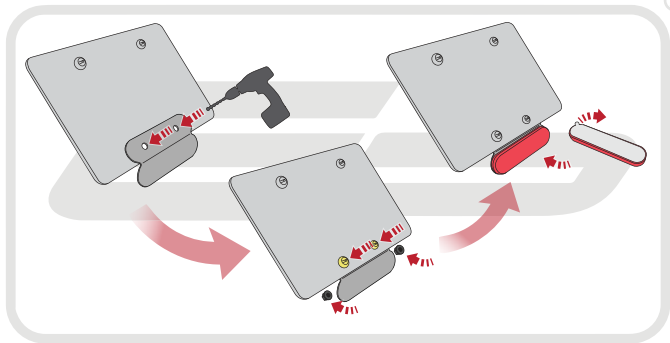




Reverse Stages

11 - 1







EVOTECH®
P E R F O R M A N C E

www.evotech-performance.com