



EVOTECH®
P E R F O R M A N C E

Installation Instructions



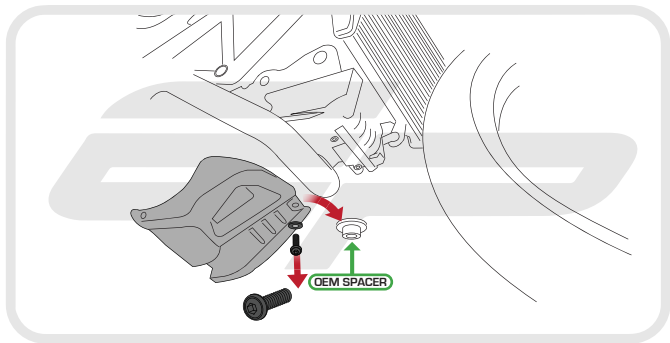
DUCATI HYPERSTRADA 2013 ENGINE GUARD

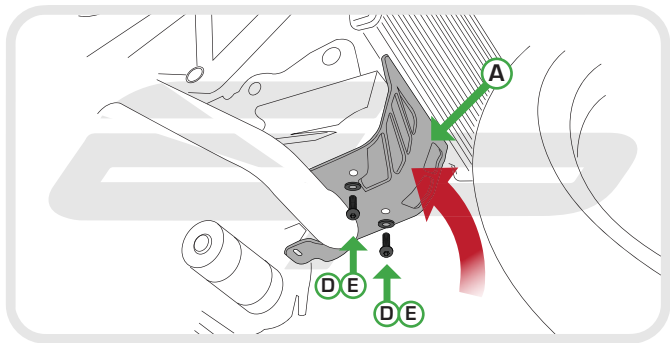
Product Reference - 11128

Kit Contents

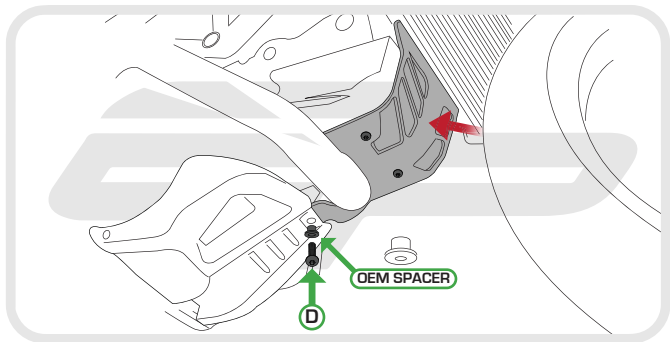
- (A)** 1 x Engine Guard
- (B)** 1 x Lower Mounting Spacer (Hypermotard Only)
- (C)** 1 x M6 x 60 Socket Button Head (Hypermotard Only)
- (D)** 3 x M6 x 16 Socket Button Heads
- (E)** 3 x M6 Washers

See next Section for Hypermotard instructions





EVOTECH[®]
P E R F O R M A N C E



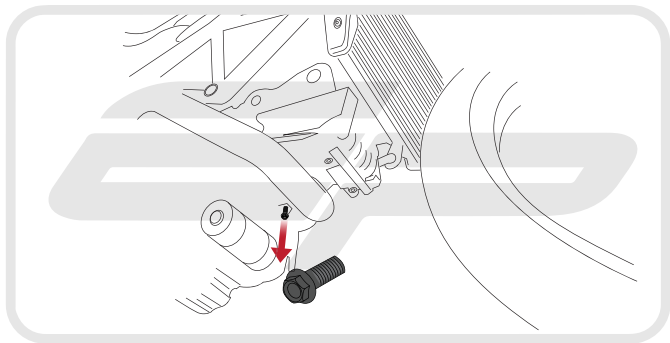


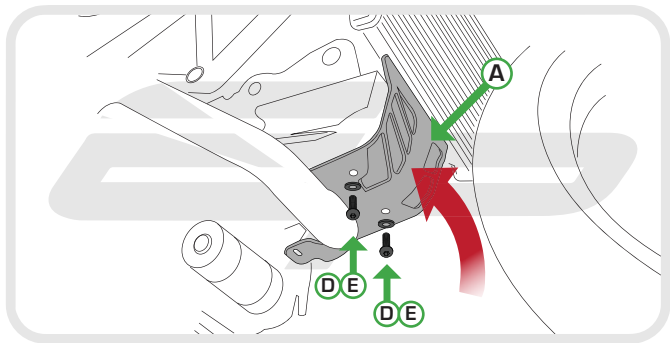
DUCATI HYPERMOTARD 2013 ENGINE GUARD

Product Reference - 11128

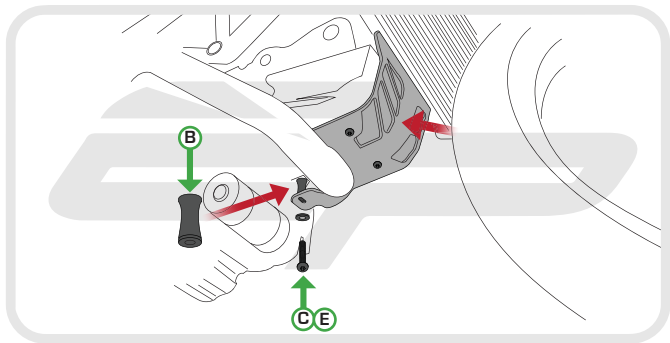
Kit Contents

- A** 1 x Engine Guard
- B** 1 x Lower Mounting Spacer
- C** 1 x M6 x 60 Socket Button Head
- D** 3 x M6 x 16 Socket Button Heads
- E** 3 x M6 Washers





EVOTECH[®]
P E R F O R M A N C E



EVOTECH[®]
P E R F O R M A N C E



Maintenance

It is recommended that periodic inspections are made to ensure that dirt and debris have not become trapped between the guard and the radiator/oil cooler. Such dirt and debris would reduce the cooling efficiency of the radiator/oil cooler



EVOTECH®
P E R F O R M A N C E

www.evotech-performance.com