



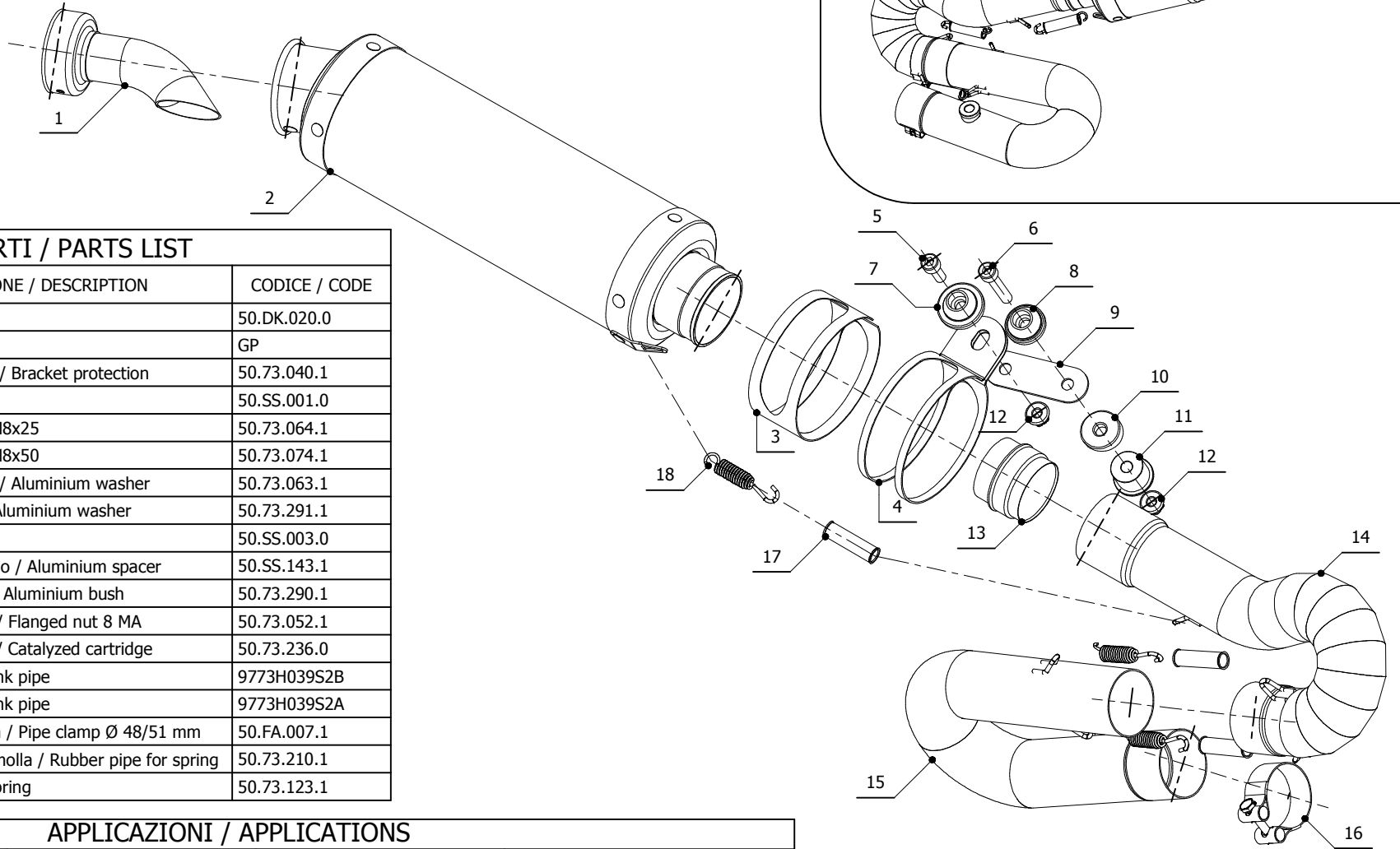
**MODEL** HONDA CBR1000 RR

**YEAR** 2008

**LINE** SPORT

**MUFFLER** GP KAT

**SCHEMATIC**



**ELENCO PARTI / PARTS LIST**

#	QTÀ / QTY	DESCRIZIONE / DESCRIPTION	CODICE / CODE
1	1	DB killer / DB killer	50.DK.020.0
2	1	Silenziatore / Muffler	GP
3	1	Protezione per staffa / Bracket protection	50.73.040.1
4	1	Staffa / Bracket	50.SS.001.0
5	1	Vite M8x25 / Screw M8x25	50.73.064.1
6	1	Vite M8x50 / Screw M8x50	50.73.074.1
7	1	Rondella in alluminio / Aluminium washer	50.73.063.1
8	1	Rondella alluminio / Aluminium washer	50.73.291.1
9	1	Staffa / Bracket	50.SS.003.0
10	1	Distanziale in alluminio / Aluminium spacer	50.SS.143.1
11	1	Bussola in alluminio / Aluminium bush	50.73.290.1
12	2	Dado 8 MA flangiato / Flanged nut 8 MA	50.73.052.1
13	1	Cartuccia catalizzata / Catalyzed cartridge	50.73.236.0
14	1	Tubo di raccordo / Link pipe	9773H039S2B
15	1	Tubo di raccordo / Link pipe	9773H039S2A
16	1	Fascetta Ø 48/51 mm / Pipe clamp Ø 48/51 mm	50.FA.007.1
17	3	Tubo in gomma per molla / Rubber pipe for spring	50.73.210.1
18	3	Molla corta / Short Spring	50.73.123.1

**APPLICAZIONI / APPLICATIONS**

CODICE / CODE	TUBO / PIPE	MUFFLER / SILENZIATORE	FASCETTA / CLAMP	CODICE OMOL. / HOMOL. CODE
H.039.K2S	INOX / ST. STEEL	CARBONIO / CARBON FIBER	INOX / ST. STEEL	ME047 e9 1356 ME050 e3 1001
H.039.K6S	INOX / ST. STEEL	TITANIO / TITANIUM	INOX / ST. STEEL	ME047 e9 1356 ME050 e3 1001