



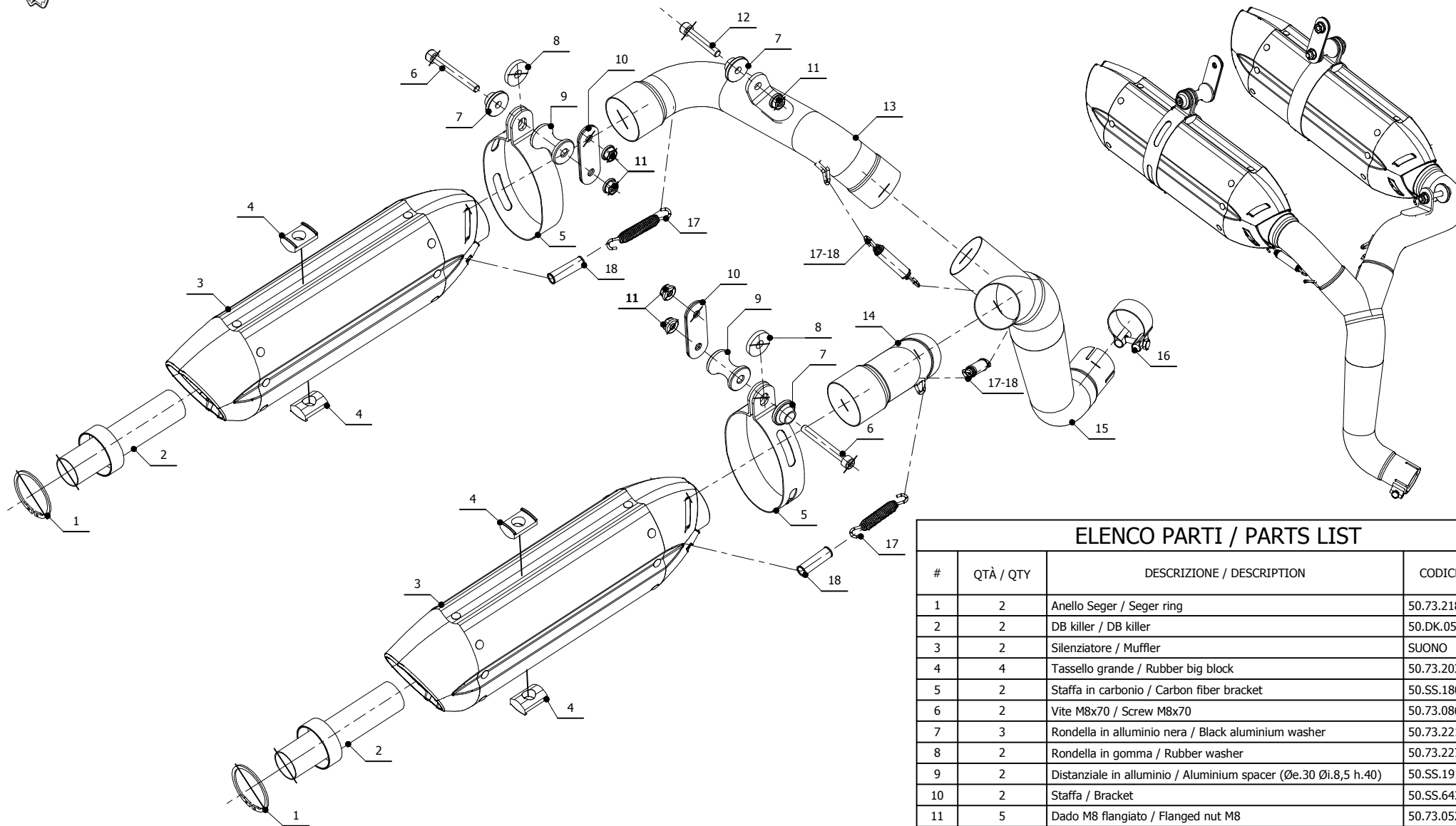
MODEL TRIUMPH SPEED TRIPLE

YEAR 2011-2015

LINE SPORT

MUFFLER SUONO

SCHEMATIC



ELENCO PARTI / PARTS LIST

| # | QTÀ / QTY | DESCRIZIONE / DESCRIPTION | CODICE / CODE |
|----|-----------|---|---------------|
| 1 | 2 | Anello Seger / Seger ring | 50.73.218.1 |
| 2 | 2 | DB killer / DB killer | 50.DK.056.0 |
| 3 | 2 | Silenziatore / Muffler | SUONO |
| 4 | 4 | Tassello grande / Rubber big block | 50.73.203.1 |
| 5 | 2 | Staffa in carbonio / Carbon fiber bracket | 50.SS.180.1 |
| 6 | 2 | Vite M8x70 / Screw M8x70 | 50.73.086.1 |
| 7 | 3 | Rondella in alluminio nera / Black aluminium washer | 50.73.221.1 |
| 8 | 2 | Rondella in gomma / Rubber washer | 50.73.227.1 |
| 9 | 2 | Distanziale in alluminio / Aluminium spacer (Øe.30 Øi.8,5 h.40) | 50.SS.191.1 |
| 10 | 2 | Staffa / Bracket | 50.SS.643.0 |
| 11 | 5 | Dado M8 flangiato / Flanged nut M8 | 50.73.052.1 |
| 12 | 1 | Vite M8x50 / Screw M8x50 | 50.73.074.1 |
| 13 | 1 | Tubo di raccordo sinistro / Left link pipe | 9773AT012S2C |
| 14 | 1 | Tubo di raccordo destro / Right link pipe | 9773AT012S2B |
| 15 | 1 | Tubo di raccordo 2-1 / Link pipe 2-1 | 9773AT012S2A |
| 16 | 1 | Fascetta Ø 44/47 mm / Pipe clamp Ø 44/47 mm | 50.FA.006.1 |
| 17 | 4 | Molla media / Middle spring | 50.73.359.1 |
| 18 | 4 | Tubo in gomma per molla / Rubber pipe for spring | 50.73.210.1 |

APPLICAZIONI / APPLICATIONS

| CODICE / CODE | TUBO / PIPE | SILENZIATORE / MUFFLER | FASCETTA / CLAMP |
|---------------|------------------|--|-------------------------|
| AT.012.L7 | INOX / ST. STEEL | INOX (COPPE CARBONIO) / ST. STEEL (CARBON CAPS) | CARBONIO / CARBON FIBER |
| AT.012.L9 | INOX / ST. STEEL | CARBONIO (COPPE CARBONIO) / CARBON (CARBON CAPS) | CARBONIO / CARBON FIBER |