



**EVOTECH**®  
P E R F O R M A N C E

**Installation Instructions**

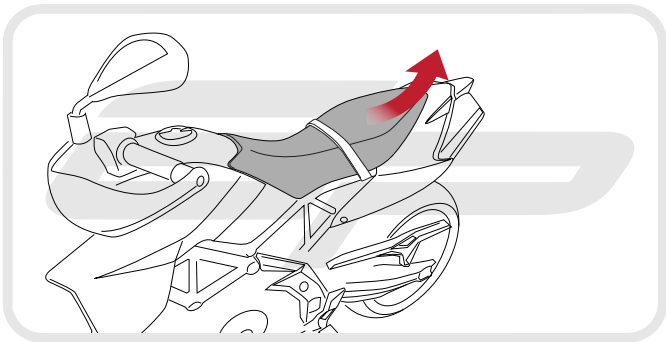


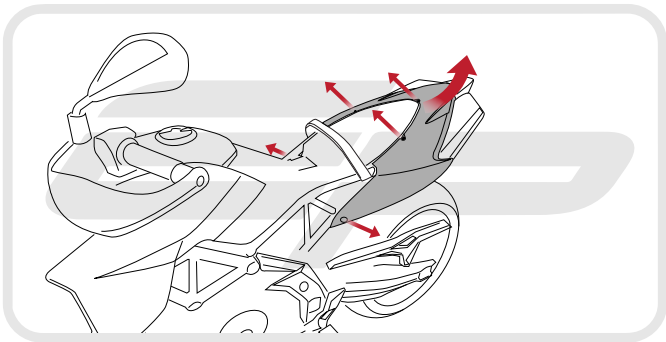
## APRILIA DORSODURO 750 TAIL TIDY 2008 ONWARDS

**Product Reference - 6668**

### Kit Contents

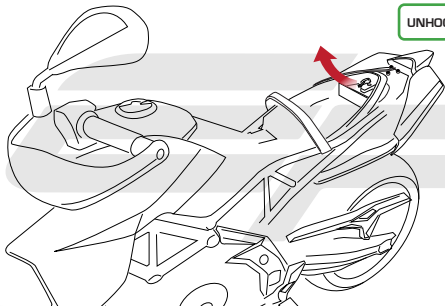
- |   |                                      |
|---|--------------------------------------|
| <b>A</b> 1 x Main Tail Tidy                   | <b>J</b> 2 x M4 x 12 Black Screws    |
| <b>B</b> 1 x Indicator Bracket                | <b>K</b> 2 x M6 - 45 Black Screws    |
| <b>C</b> 1 x Seat Lock Bracket (2008-20012)   | <b>L</b> 3 x Top Hat Washers         |
| <b>D</b> 1 x Seat Lock Bracket (2013 Onwards) | <b>M</b> 3 x M6 - 60 Cap Head Screws |
| <b>E</b> 1 x Seat Lock Plate                  | <b>N</b> 4 x M6 - 16 Black Screws    |
| <b>F</b> 1 x Reflector Bracket                | <b>O</b> 4 x M6 Nyloc Nuts           |
| <b>G</b> 1 x Reflector                        | <b>P</b> 4 x Seat Lock Spacers       |
| <b>H</b> 1 x M5 - 12 Cap Head Screw           | <b>Q</b> 5 x M6 Washers              |
| <b>I</b> 2 x Plastic Screws and Nuts          | <b>R</b> 6 x Cable Ties              |

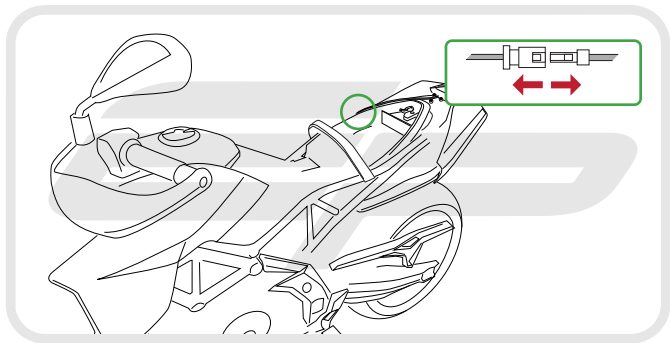


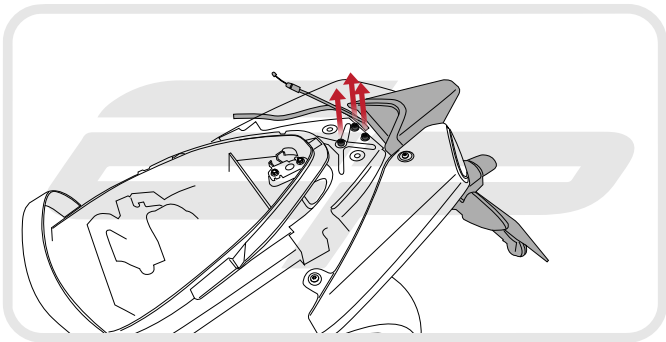


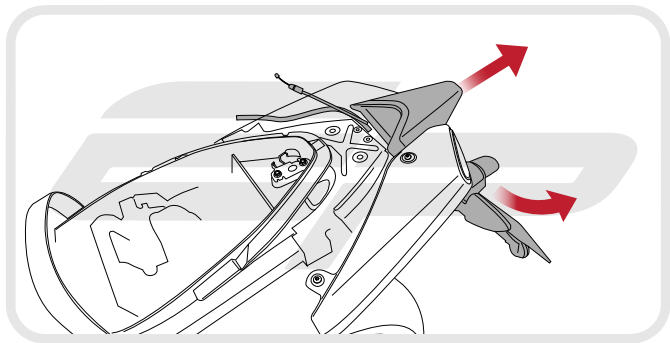


UNHOOK SEAT RELEASE CABLE

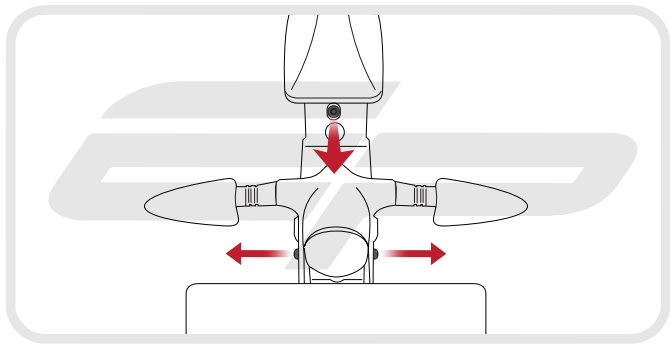


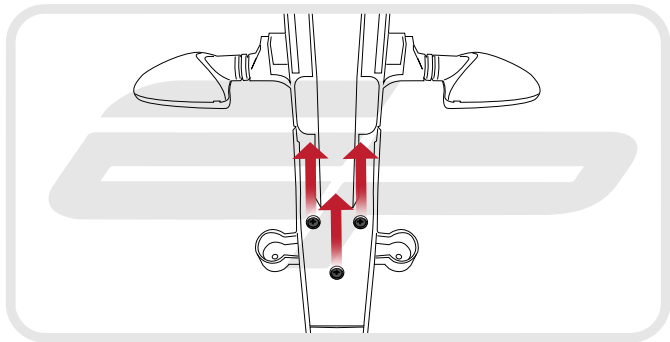




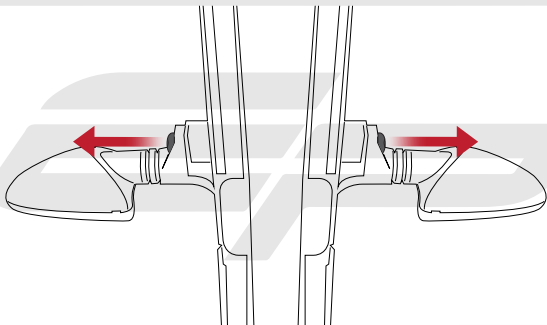




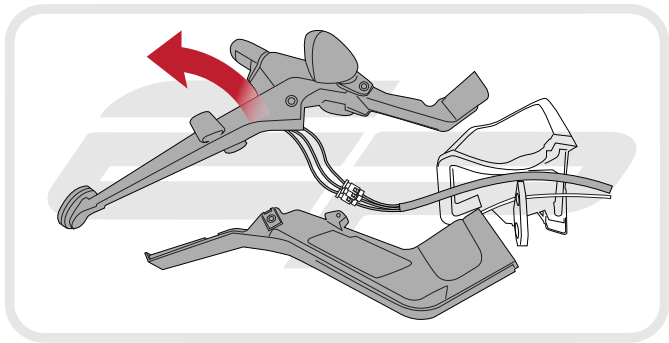


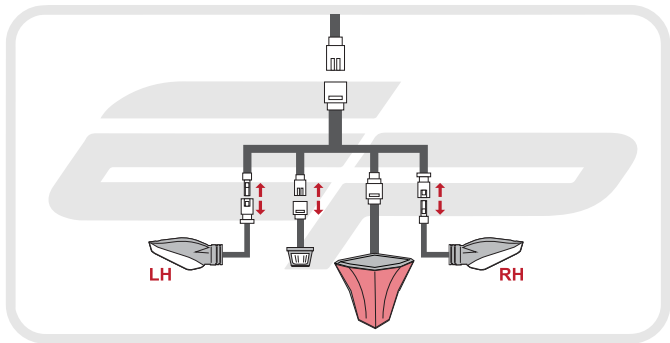


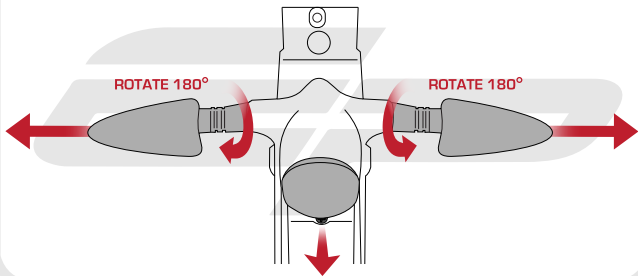
**EVOTECH**<sup>®</sup>  
P E R F O R M A N C E



**EVOTECH**<sup>®</sup>  
P E R F O R M A N C E

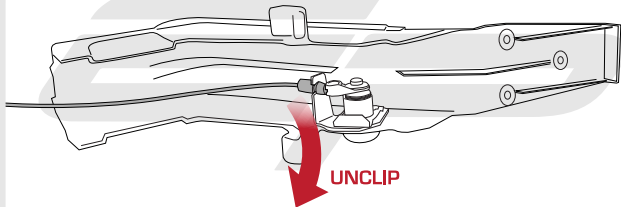


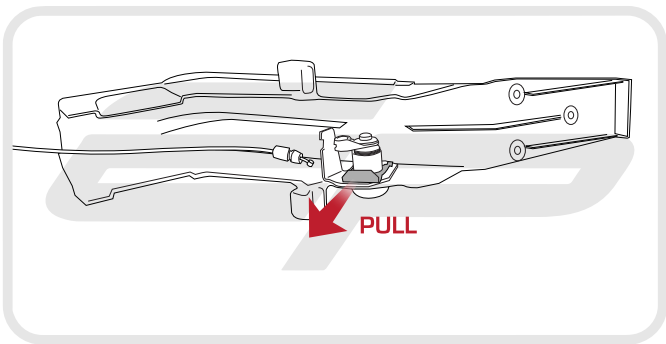




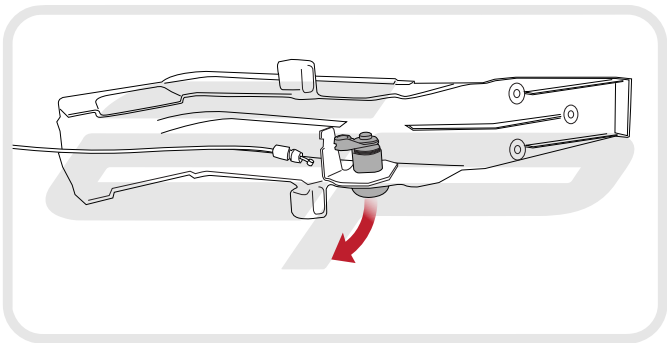
**EVOTECH**<sup>®</sup>  
P E R F O R M A N C E

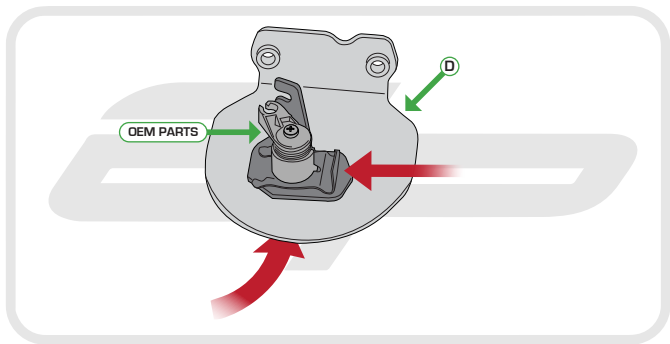
Stage 13 - 16 for 2013 Models Onwards  
2008 - 2012 Models skip to stage17





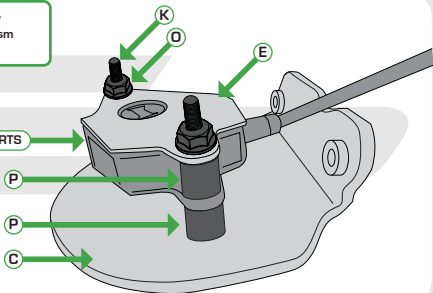


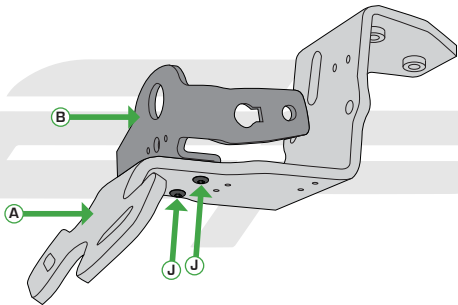


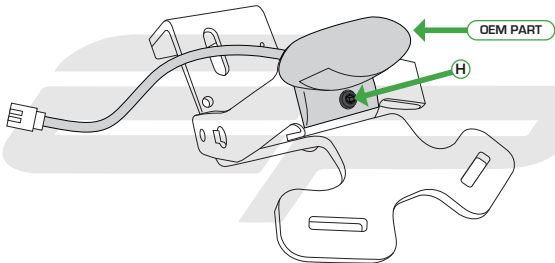


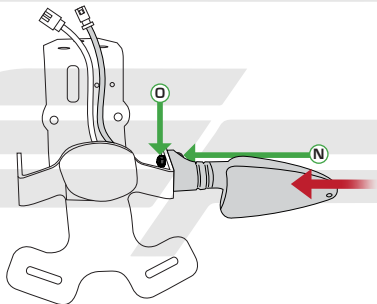
2008 - 2012 Models Only  
Transfer Seat Lock Mechanism  
from old fender

OEM PARTS





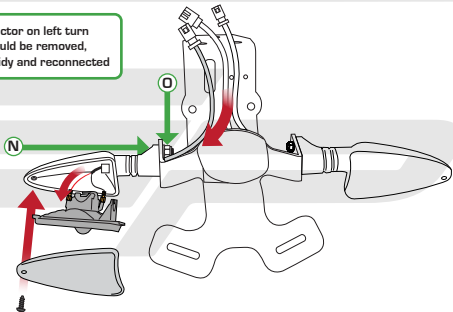


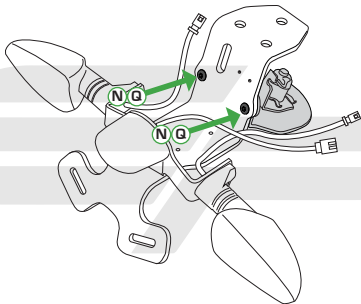


**EVOTECH**<sup>®</sup>  
P E R F O R M A N C E



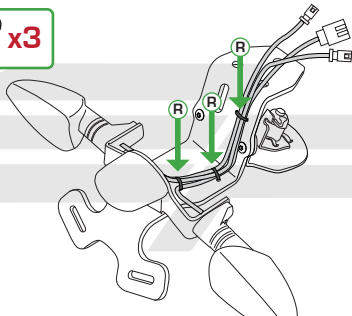
Due to size of connector on left turn signal, the lens should be removed, wires fed through tail tidy and reconnected

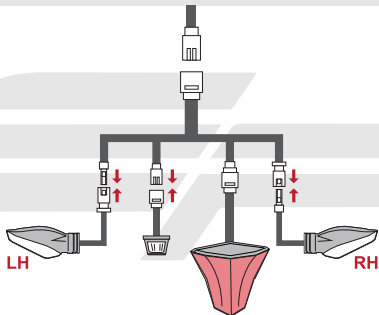


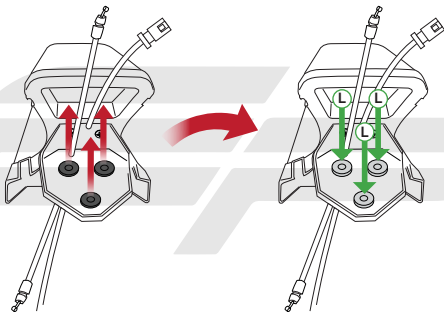


**EVOTECH**<sup>®</sup>  
P E R F O R M A N C E







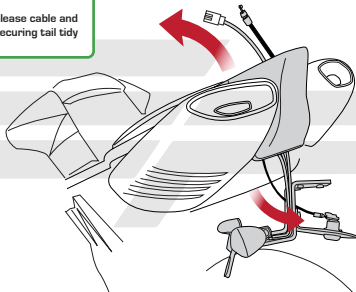


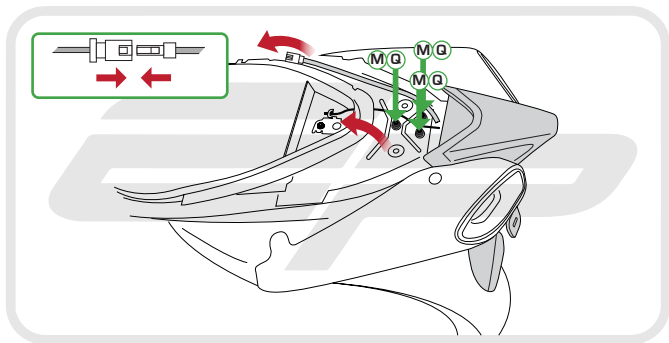
**EVOTECH**<sup>®</sup>  
P E R F O R M A N C E



Caution

Re-fit seat release cable and test before securing tail tidy







Reverse Stage

2,1



**EVOTECH**®  
P E R F O R M A N C E

[www.evotech-performance.com](http://www.evotech-performance.com)