



**EVOTECH**®  
P E R F O R M A N C E

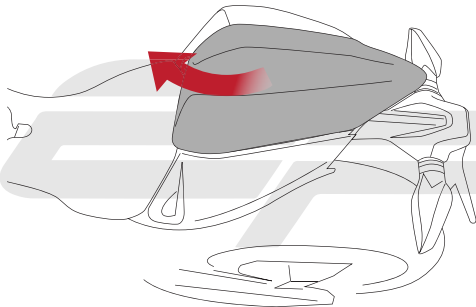
**Installation Instructions**

## DUCATI PANIGALE 2012 ONWARDS TAIL TIDY

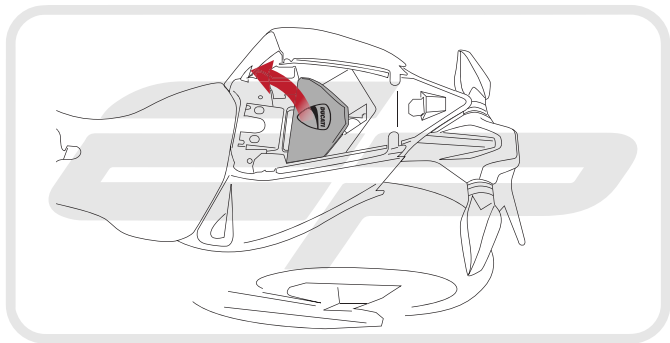
**Product Reference - 10046**

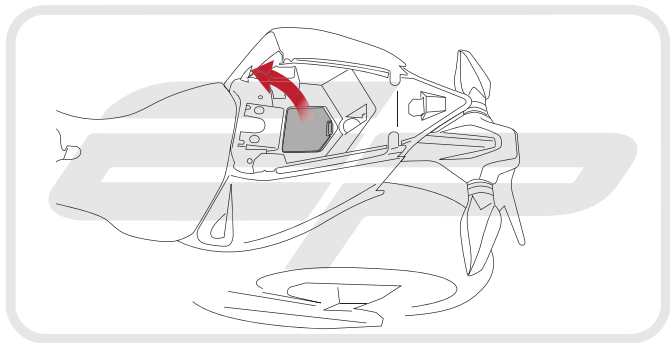
### Kit Contents

- |  |  |
|--|--|
| <b>A</b> 1 x Main Tail Tidy              | <b>J</b> 1 x M4 - 10 Socket Button Screw |
| <b>B</b> 1 x Sealing Plate               | <b>K</b> 2 x Short Spacers               |
| <b>C</b> 1 x Clamping Bracket            | <b>L</b> 2 x Long Spacers                |
| <b>D</b> 1 x LED Bracket                 | <b>M</b> 2 x Male Bullet Connectors      |
| <b>E</b> 1 x LED Light Unit              | <b>N</b> 2 x Female Bullet Connectors    |
| <b>F</b> 1 x Reflector Bracket           | <b>O</b> 2 x Plastic Screws              |
| <b>G</b> 1 x Reflector                   | <b>P</b> 2 x Plastic Nuts                |
| <b>H</b> 1 x M6 Flange Nut               | <b>Q</b> 5 x M5 - 10 Socket Button Heads |
| <b>I</b> 1 x M5 - 12 Socket Button Screw | <b>R</b> 6 x Cable Ties                  |

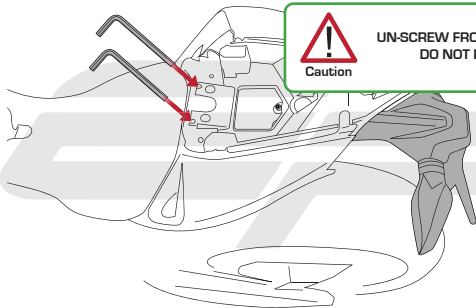


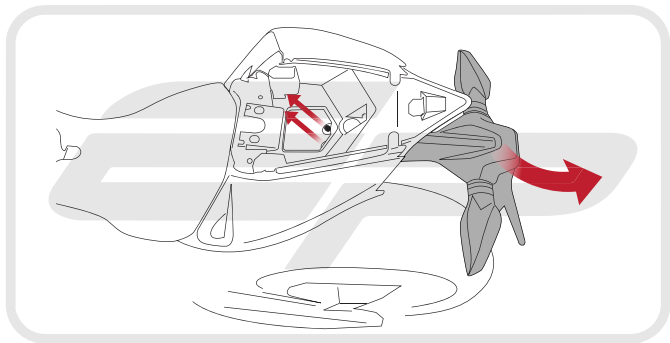
**EVOTECH**<sup>®</sup>  
P E R F O R M A N C E

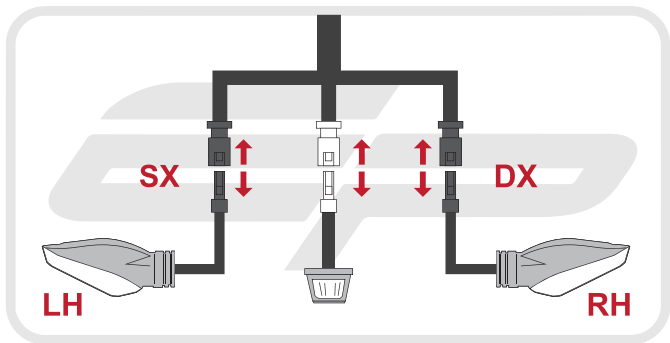




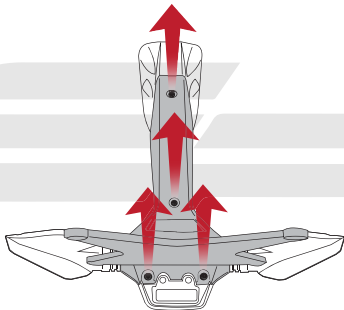
**EVOTECH**<sup>®</sup>  
P E R F O R M A N C E



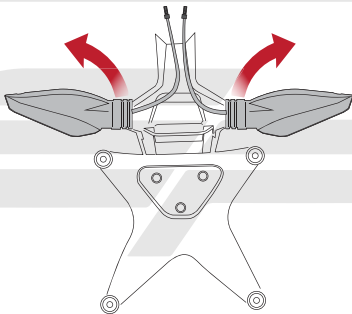




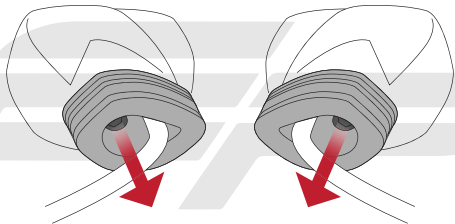




**EVOTECH**<sup>®</sup>  
P E R F O R M A N C E



**EVOTECH**<sup>®</sup>  
P E R F O R M A N C E

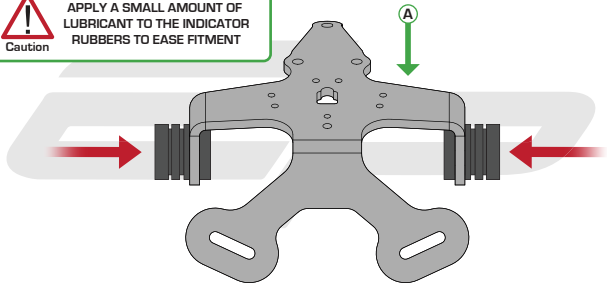


**EVOTECH**<sup>®</sup>  
P E R F O R M A N C E

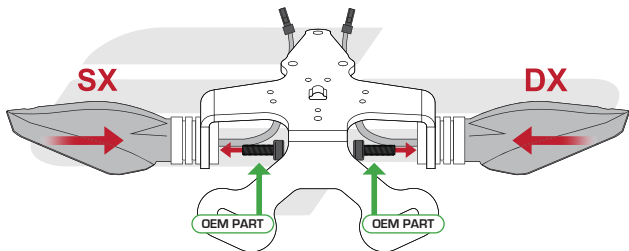


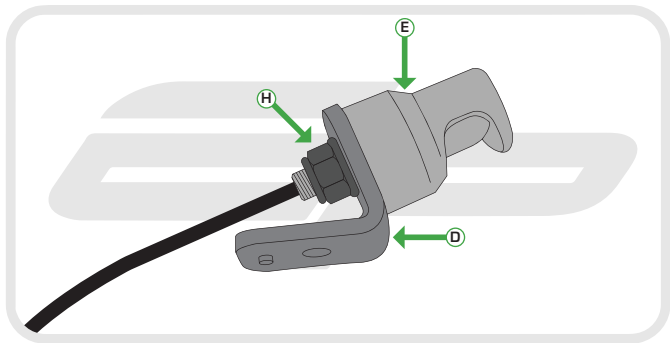
Caution

APPLY A SMALL AMOUNT OF  
LUBRICANT TO THE INDICATOR  
RUBBERS TO EASE FITMENT

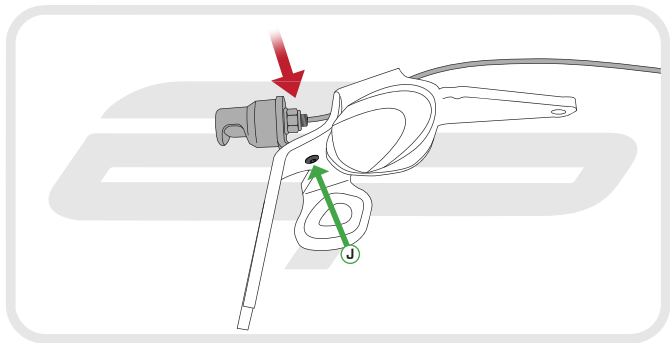


**EVOTECH**<sup>®</sup>  
P E R F O R M A N C E

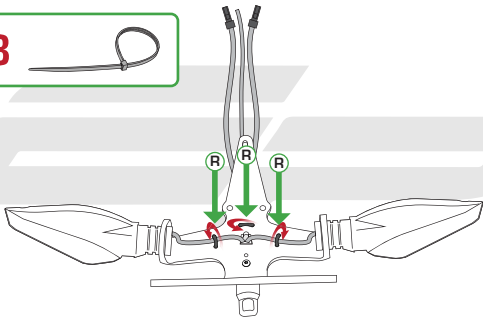




**EVOTECH**<sup>®</sup>  
P E R F O R M A N C E

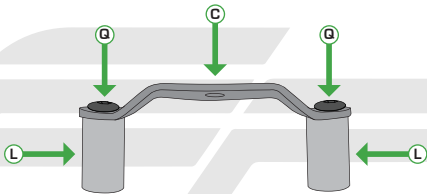


**EVOTECH**<sup>®</sup>  
P E R F O R M A N C E

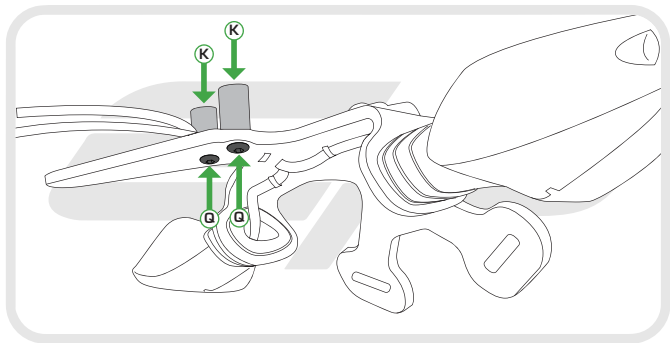
**x3**

**EVOTECH**<sup>®</sup>  
P E R F O R M A N C E

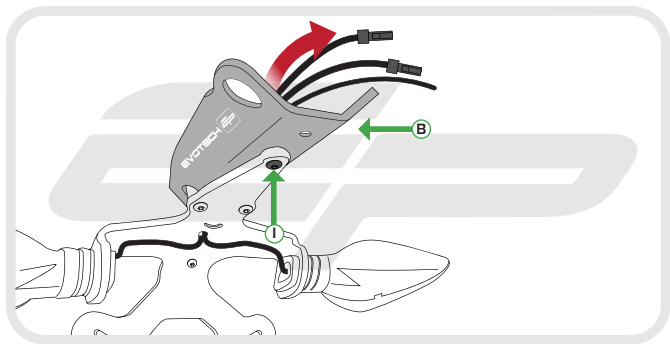




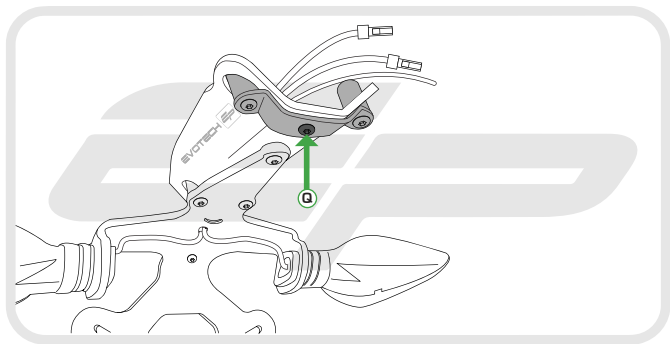
**EVOTECH**<sup>®</sup>  
P E R F O R M A N C E



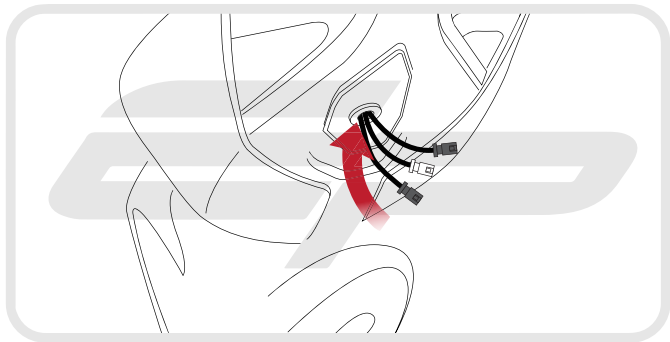
**EVOTECH**<sup>®</sup>  
P E R F O R M A N C E

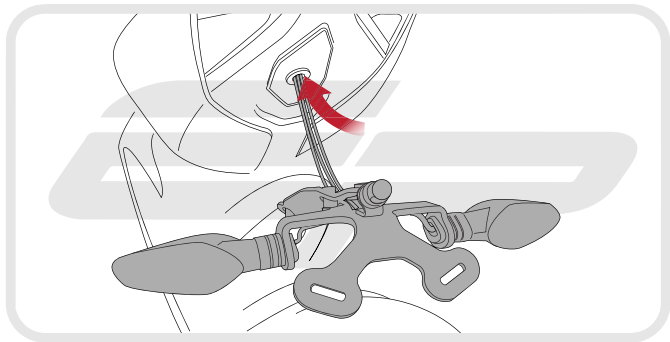


**EVOTECH**<sup>®</sup>  
P E R F O R M A N C E

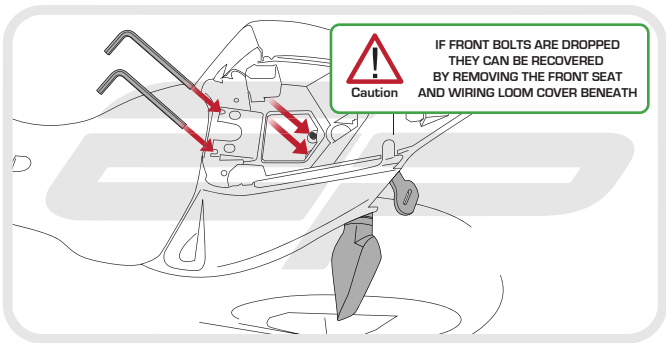


**EVOTECH**<sup>®</sup>  
P E R F O R M A N C E



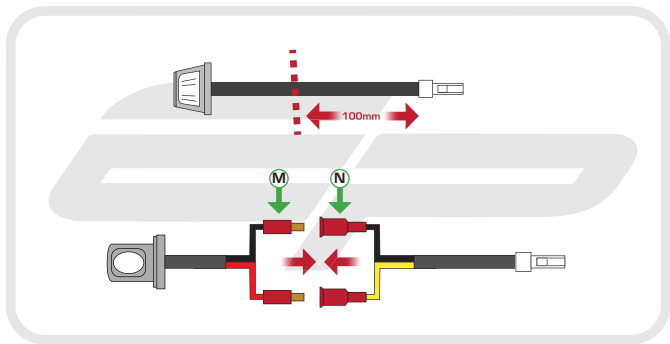


**EVOTECH**<sup>®</sup>  
P E R F O R M A N C E



Caution

IF FRONT BOLTS ARE DROPPED  
THEY CAN BE RECOVERED  
BY REMOVING THE FRONT SEAT  
AND WIRING LOOM COVER BENEATH

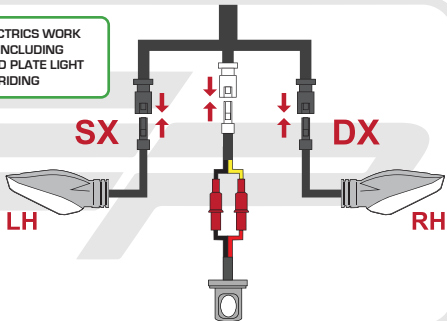






Caution

CHECK ALL ELECTRICS WORK  
CORRECTLY, INCLUDING  
INDICATORS AND PLATE LIGHT  
BEFORE RIDING





Reverse Stages

3,2,1



**EVOTECH**®  
P E R F O R M A N C E

[www.evotech-performance.com](http://www.evotech-performance.com)