



EVOTECH®
P E R F O R M A N C E

Installation Instructions



DUCATI MONSTER 821 2014 TAIL TIDY

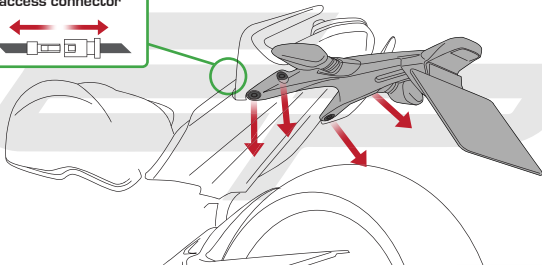
Product Reference - 11999

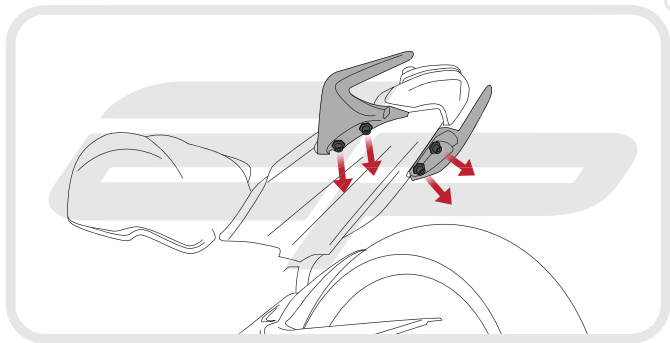
Kit Contents

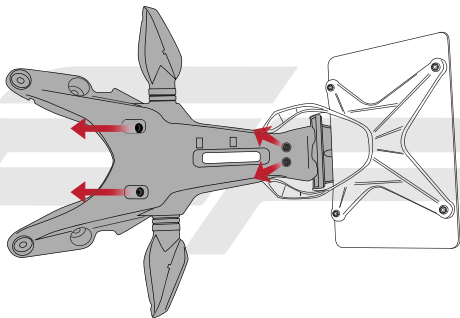
- | | |
|--|---|
| A 1 x Main Mounting Bracket | P 2 x Pair Bullet Connectors (1200 Only) |
| B 1 x LH Arm | Q 2 x Male Spade Connectors (821 Only) |
| C 1 x RH Arm | R 2 x Indicator Extension Wires (821 Only) |
| D 1 x Licence Plate Holder | S 2 x M8 - 25 Button Head Screws (821 Only) |
| E 1 x Reflector and Bracket | T 2 x M8 Mounting Spacers (821 Only) |
| F 1 x Cable Bracket (1200 Only) | U 2 x M8 Custom Washers (821 Only) |
| G 1 x Licence Plate Light | V 3 x M8 - 10 Button Head Screws (1200 Only) |
| H 1 x Wiring Connector Loom (1200 Only) | W 3 x M6 Trunions |
| I 2 x Indicator Arms | X 3 x M6 - 16 Countersink Screws |
| J 2 x Indicator Mounting Plates | Y 4 x Indicator Adapters |
| K 2 x M5 - 50 Button Head Screws | Z 4 x Mounting Bosses |
| L 2 x M5 - 12 Cap Head Bolt | AA 4 x M6 Custom Washers |
| M 2 x M3 - 12 Button Head Screws | BB 4 x M6 - 12 Button Head Screws |
| N 2 x Number Plates Screws and Nuts | CC 6 x Cable Ties |
| O 2 x Screw Head Caps | |

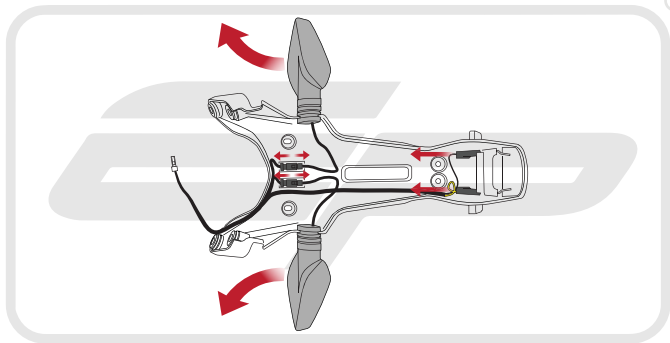


Remove Seat to
access connector

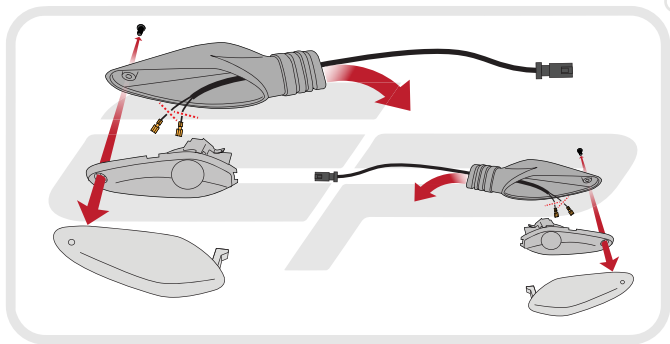




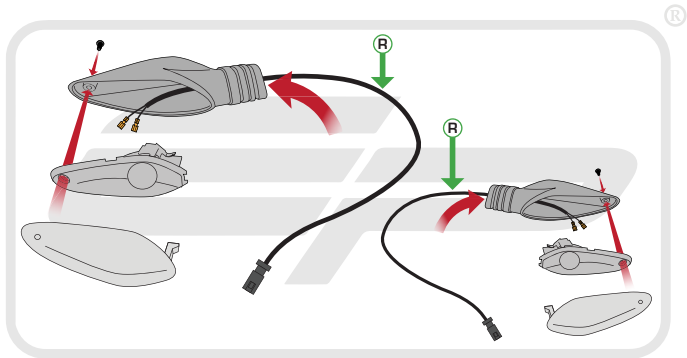




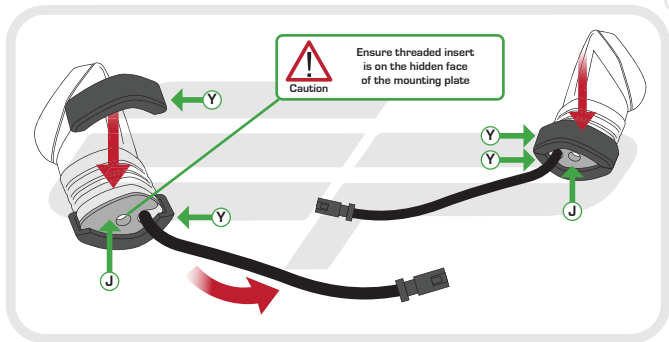
EVOTECH[®]
P E R F O R M A N C E

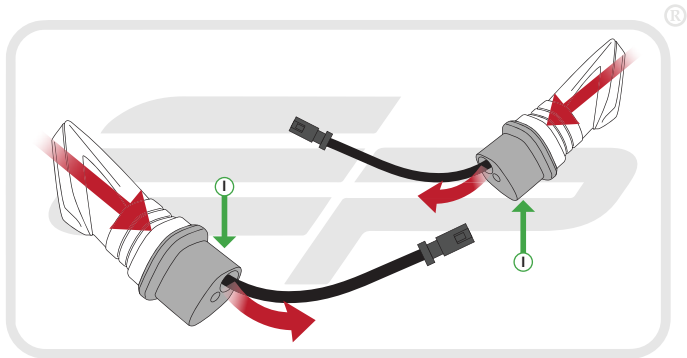


EVOTECH[®]
P E R F O R M A N C E

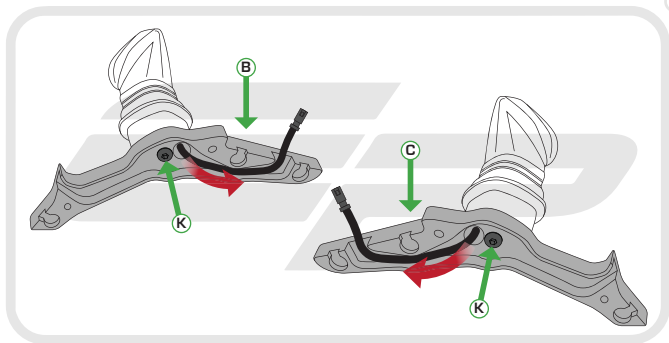


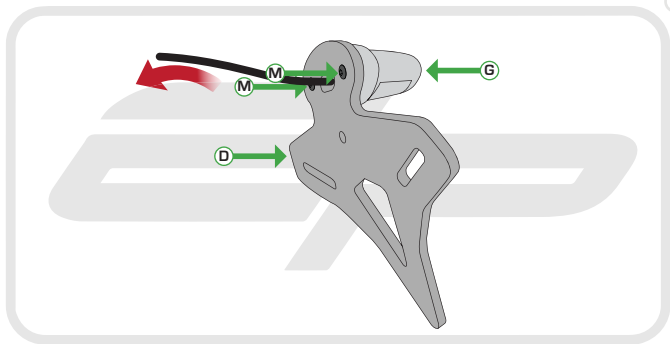
EVOTECH[®]
P E R F O R M A N C E



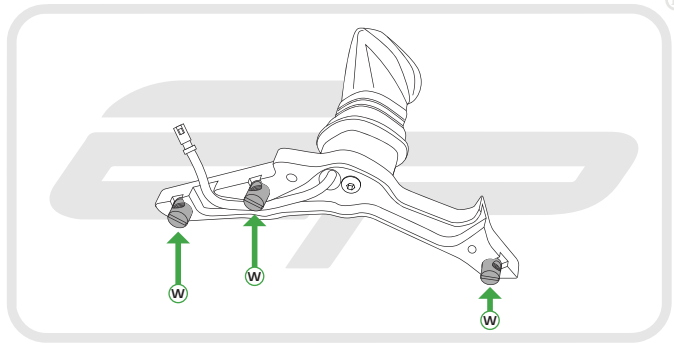


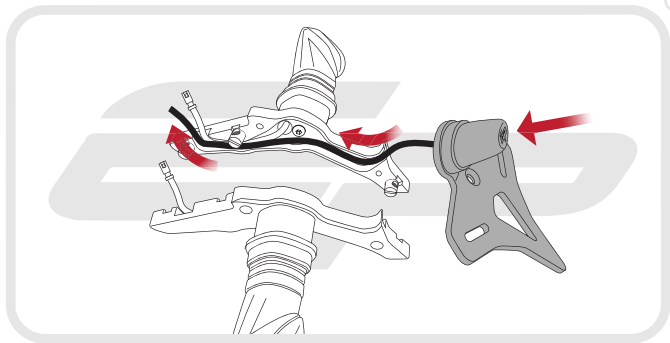
EVOTECH[®]
P E R F O R M A N C E

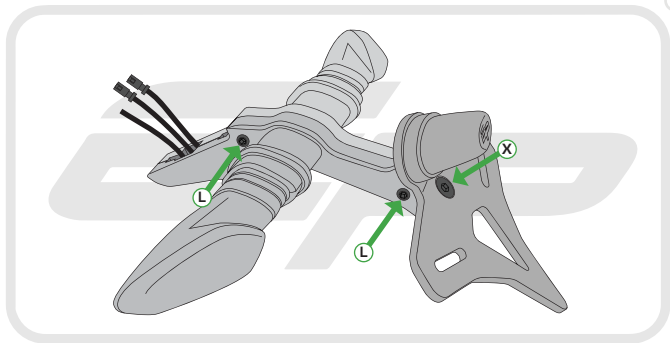




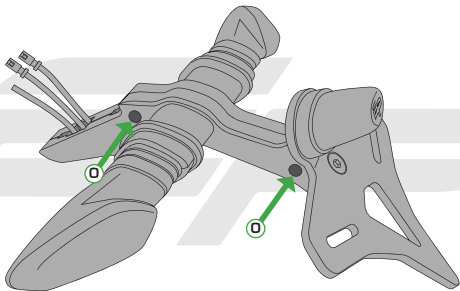
EVOTECH[®]
P E R F O R M A N C E



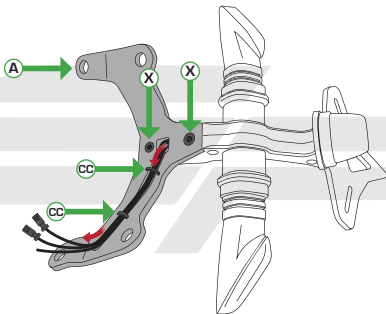




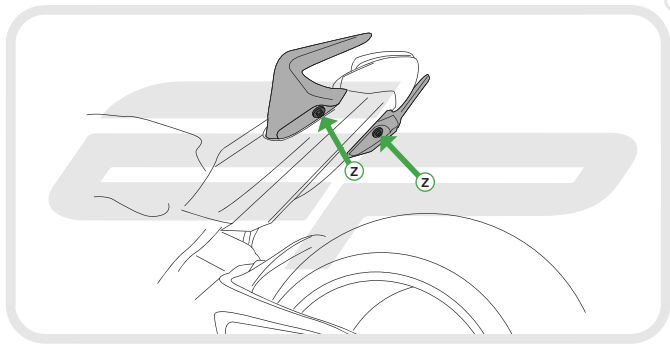
EVOTECH[®]
P E R F O R M A N C E

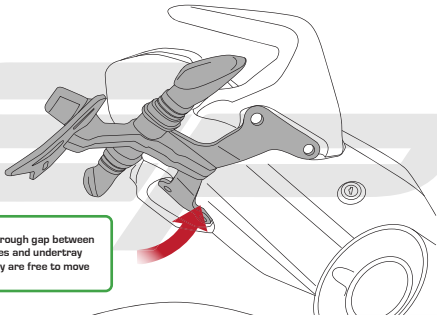


EVOTECH[®]
P E R F O R M A N C E



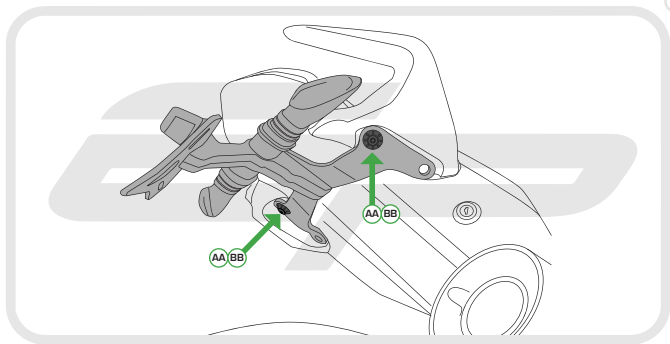
EVOTECH[®]
P E R F O R M A N C E





Caution

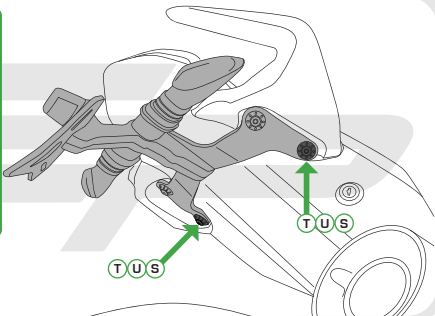
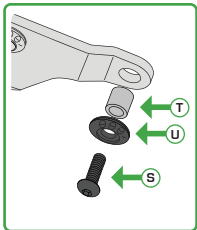
Feed wires through gap between grab handles and undertray ensuring they are free to move

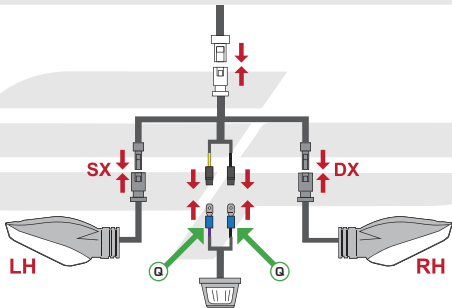


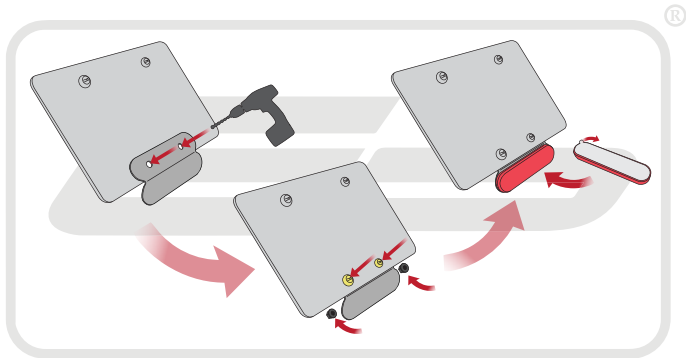
EVOTECH[®]
P E R F O R M A N C E



®









 **ESSENTIAL CHECKS** 

After installation of your tail tidy ensure that the licence plate does not contact the rear tyre when suspension is fully compressed.

Ensure all electrics including indicators, tail light, brake light and licence plate light are working correctly before riding the motorcycle.

It is recommended that periodic inspections are made to ensure that all fixings are fully tightend.



EVOTECH®
P E R F O R M A N C E

www.evotech-performance.com