



EVOTECH®
P E R F O R M A N C E

Installation Instructions

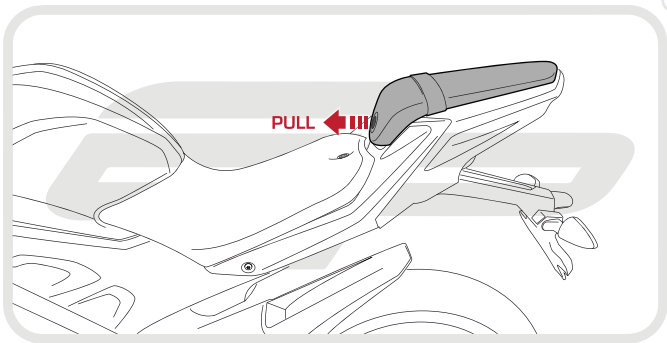


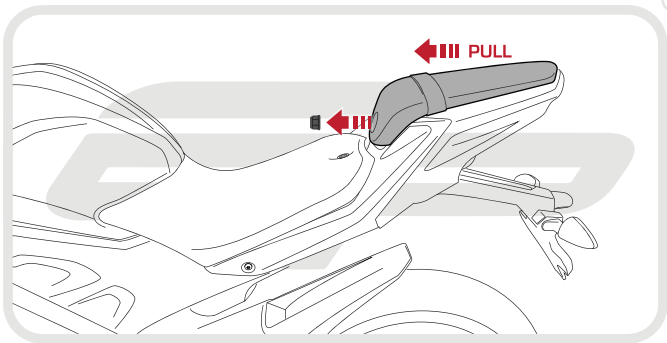
YAMAHA MT-125 TAIL TIDY

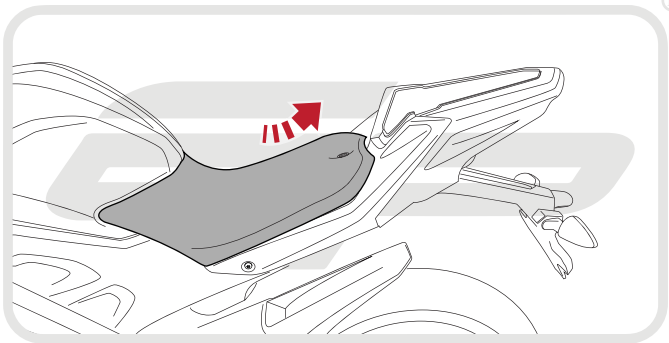
Product Reference - 12369

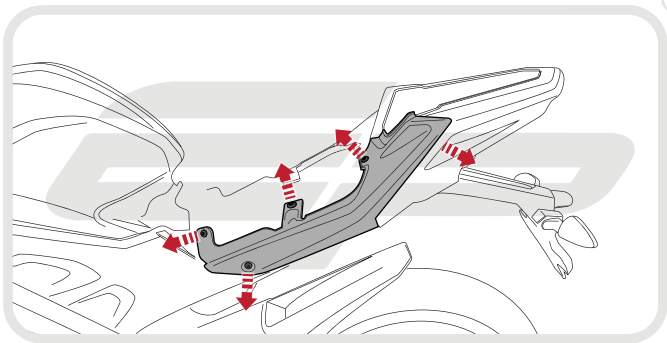
Kit Contents

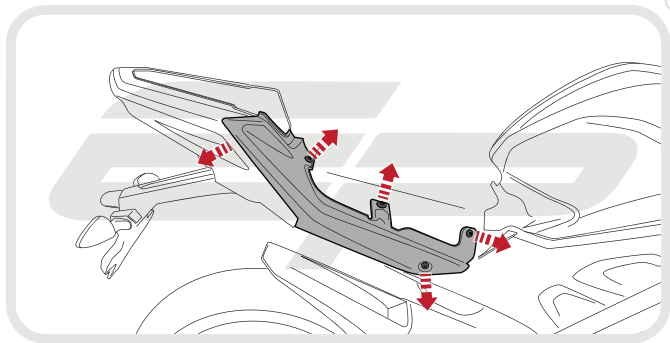
- | | |
|--|--|
| A 1 x Main Tail Tidy | I 2 x M4 - 8 Socket Button Heads |
| B 1 x Cover Plate | J 2 x M4 Washers |
| C 1 x Spacer Plate | K 2 x Rubber Caps |
| D 1 x LED Light Unit | L 2 x Plastic Screws and Nuts |
| E 1 x Reflector Bracket | M 3 x Pair Bullet Connectors |
| F 1 x Reflector | N 5 x M6 x 20 Socket Button Heads |
| G 2 x M6 Washers | O 5 x Cable Ties |
| H 2 x M5 - 15 Socket Button Heads | |

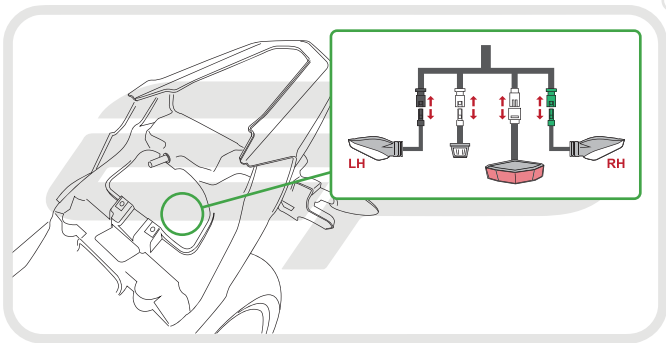


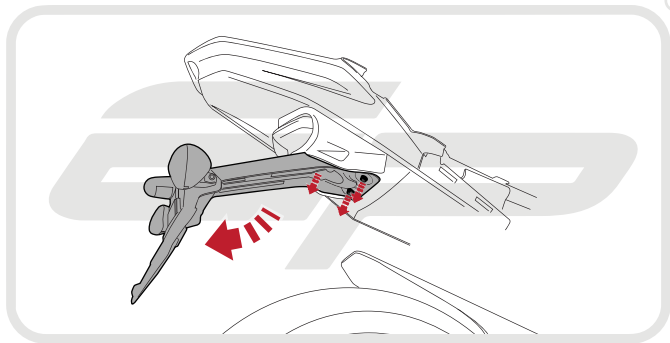


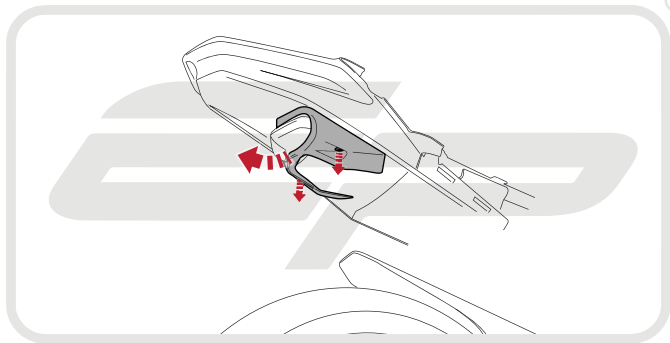


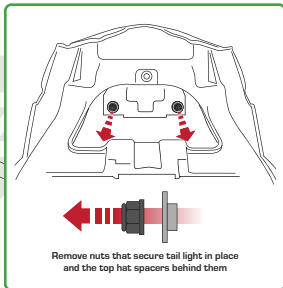
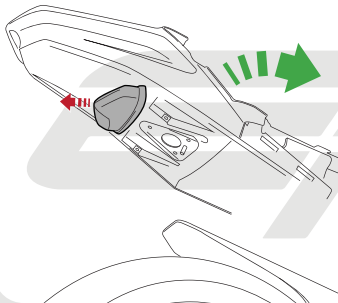


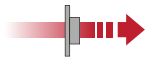
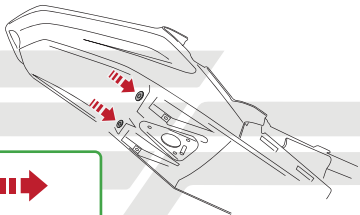




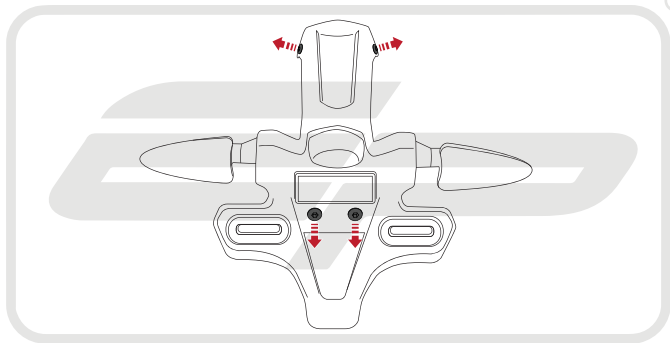


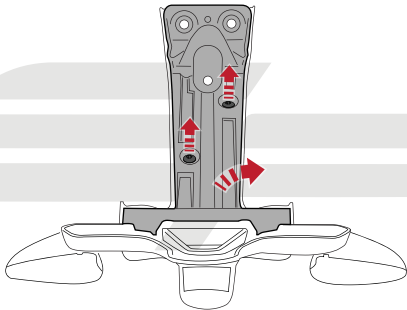




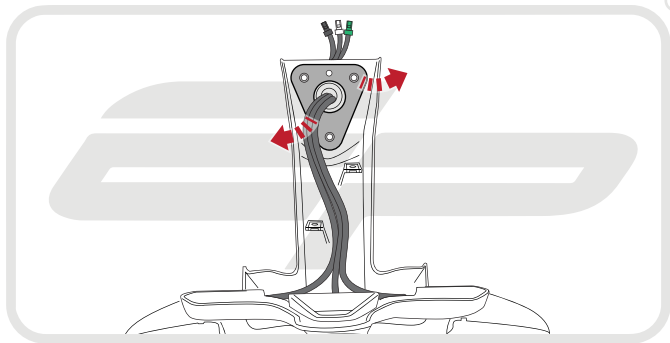


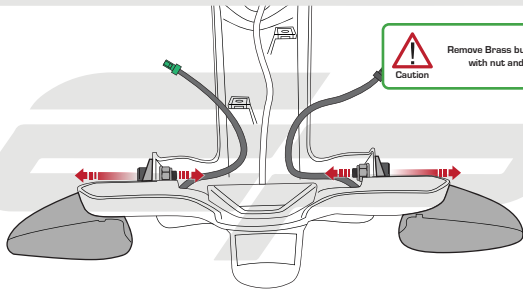
Reverse the top hat spacers removed in stage 9
and push them into the rubber mounts

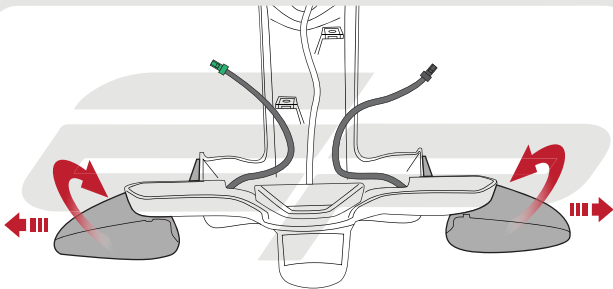


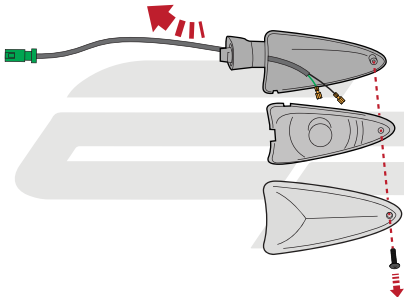


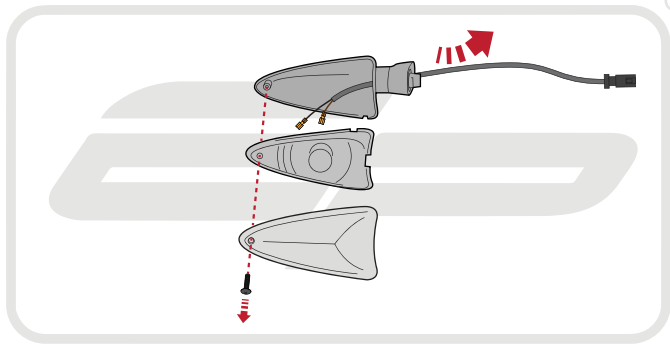
EVOTECH[®]
P E R F O R M A N C E

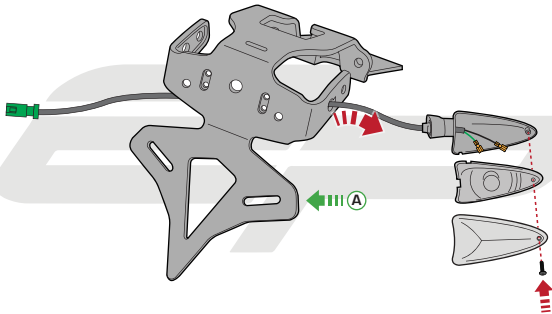


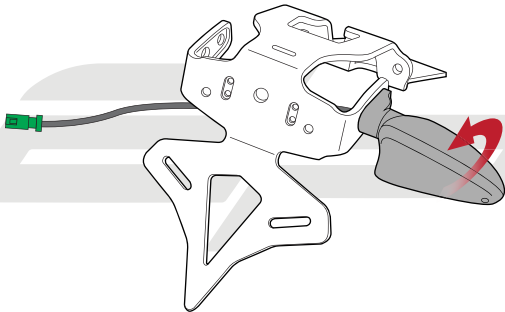


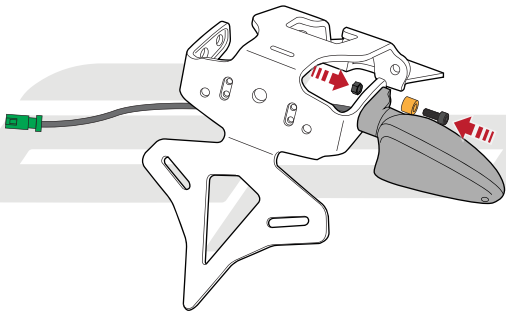


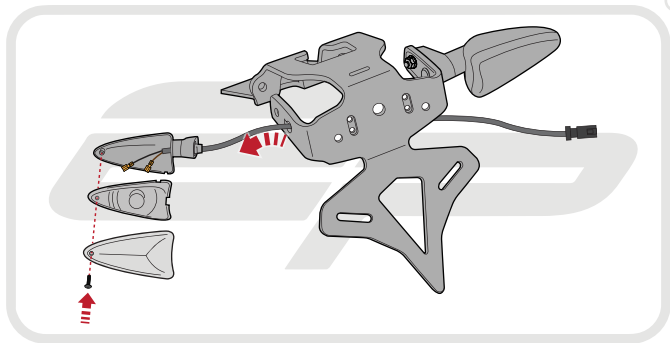




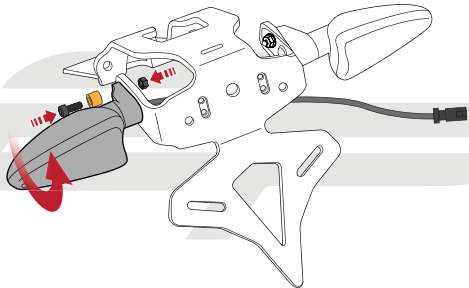


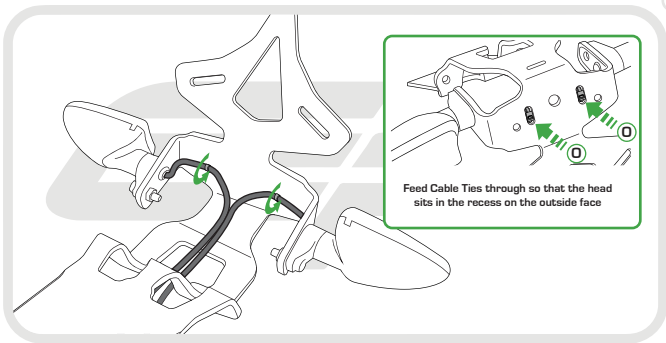




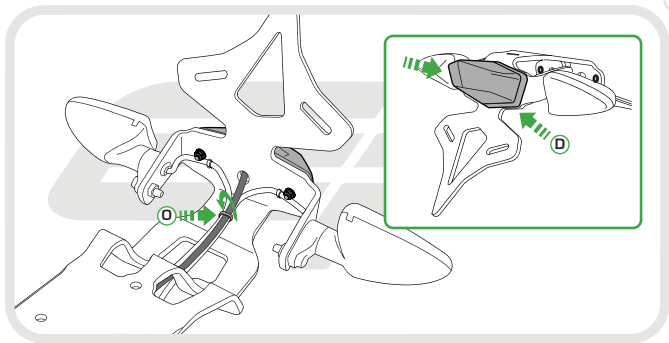


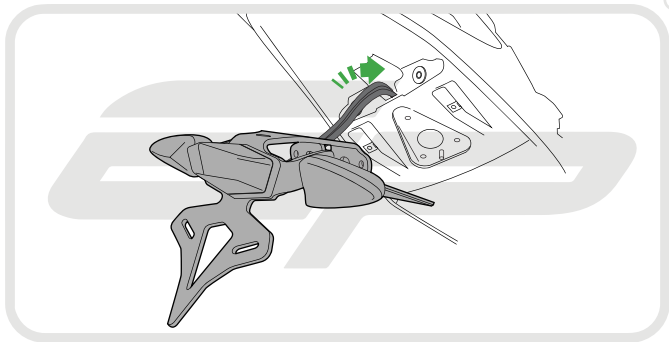
EVOTECH[®]
P E R F O R M A N C E

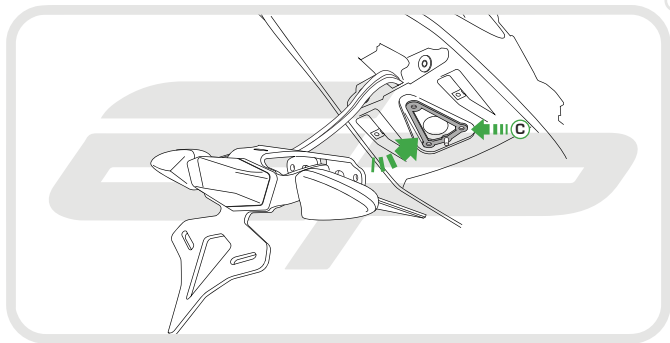




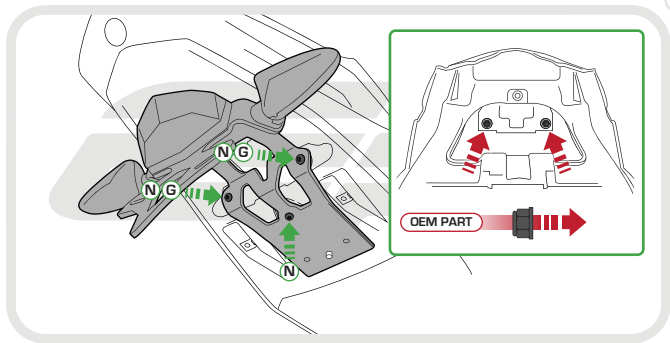
Feed Cable Ties through so that the head sits in the recess on the outside face

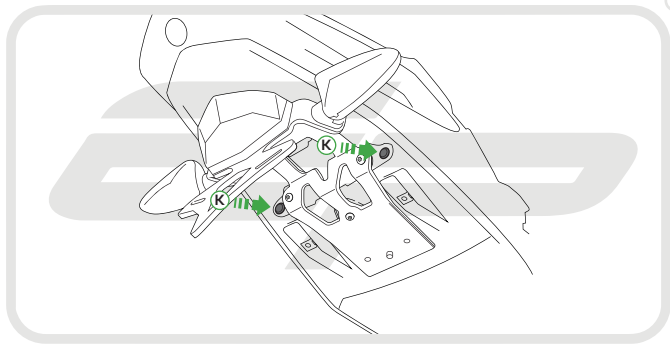


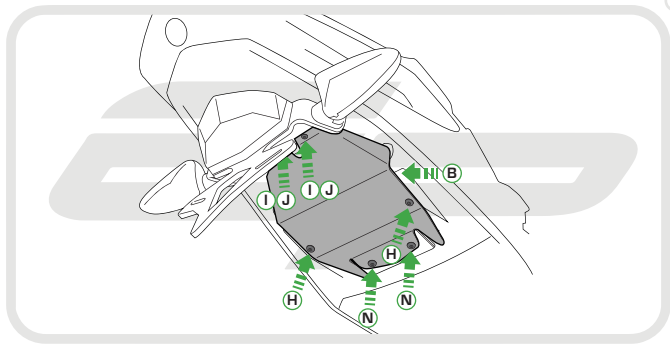


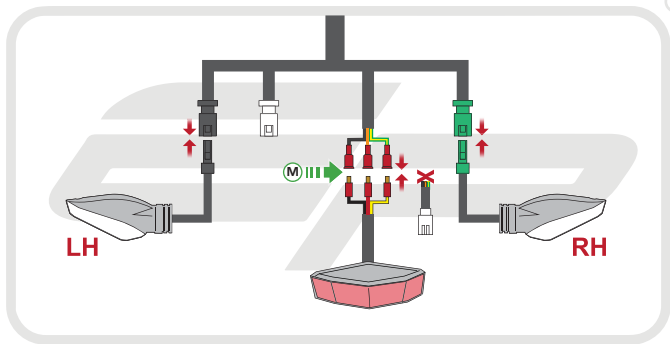


EVOTECH[®]
P E R F O R M A N C E







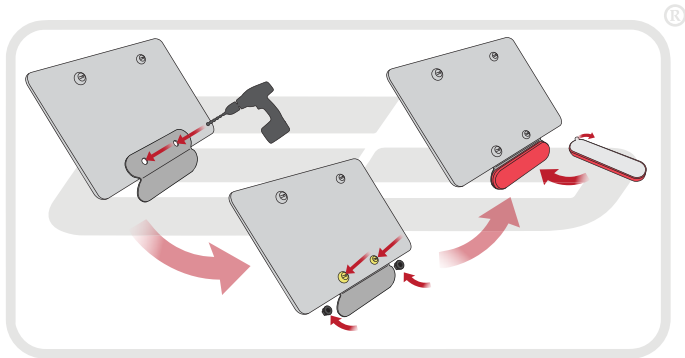




Reverse Stage

5 - 1

Reflector Bracket Installation



EVOTECH[®]
P E R F O R M A N C E



 **ESSENTIAL CHECKS** 

After installation of your tail tidy ensure that the licence plate does not contact the rear tyre when suspension is fully compressed.

Ensure all electrics including indicators, tail light, brake light and licence plate light lights are working correctly before riding the motorcycle.

It is recommended that periodic inspections are made to ensure that all fixings are fully tightend.



EVOTECH®
P E R F O R M A N C E

www.evotech-performance.com