



EVOTECH®
P E R F O R M A N C E

Installation Instructions

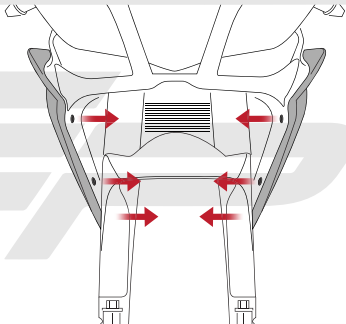
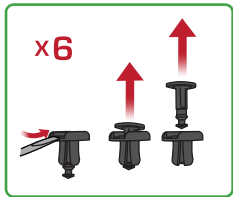


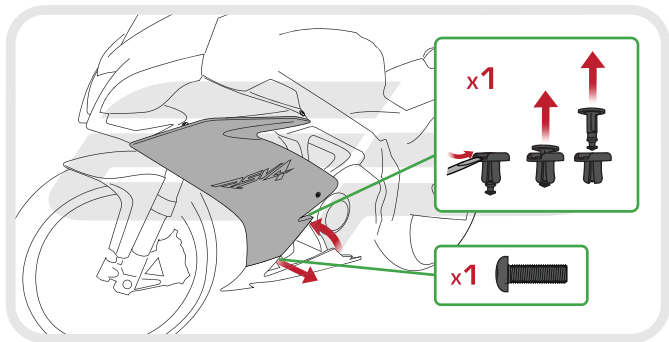
APRILIA RSV4 2009 ONWARDS CRASH PROTECTION

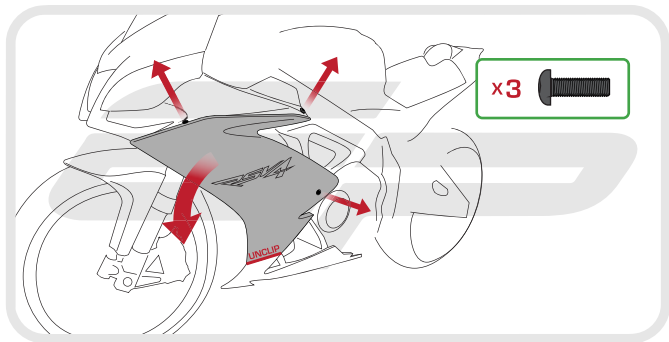
Product Reference - 11769

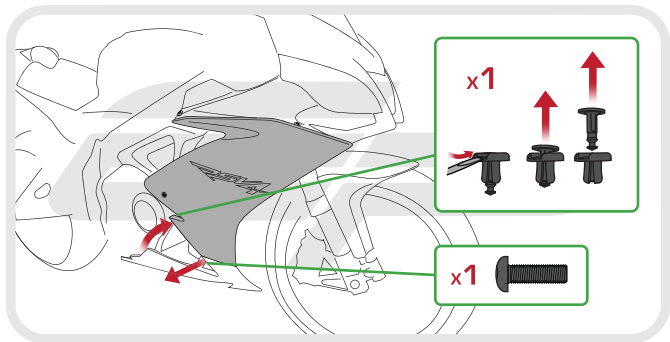
Kit Contents

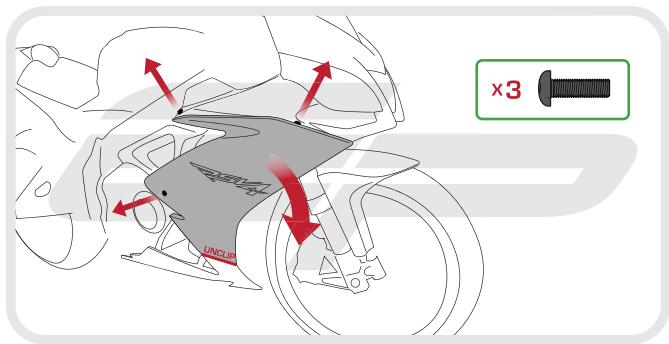
- | | |
|--------------------------------|-------------------------------|
| Ⓐ 2 x Mounting Brackets | Ⓔ 2 x M10 Washers |
| Ⓑ 2 x Bobbin Heads | Ⓕ 2 x M10 - 90 Cap Head Bolts |
| Ⓒ 2 x Bobbin Spacers | Ⓖ 4 x M10 - 75 Cap Head Bolts |
| Ⓓ 2 x Impact Absorbing Washers | Ⓗ 4 x Frame Spacers |







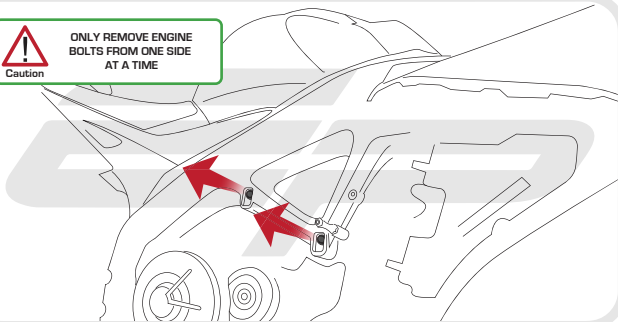






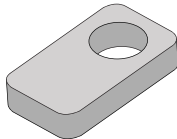
Caution

ONLY REMOVE ENGINE
BOLTS FROM ONE SIDE
AT A TIME

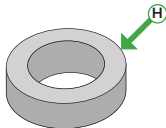


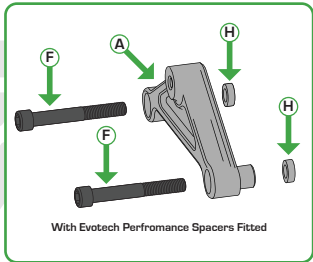
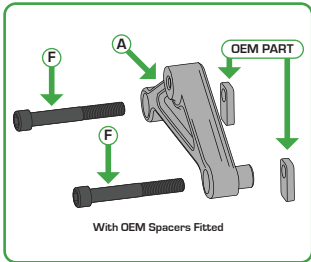
Some models of the RSV4 include engine spacers which enable the engine to be dropped within the chassis for models such as the RSV4 RF.

If your bike has these spacers fitted ensure they remain in place whilst installing the crash protection kit



If, when engine bolts are removed there are no OEM engine spacers then ensure the Evotech Performance spacers are installed between the crash protection bracket and the motorcycle frame







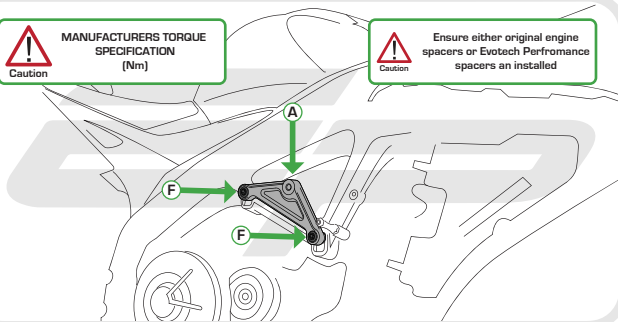
Caution

MANUFACTURERS TORQUE
SPECIFICATION
(Nm)



Caution

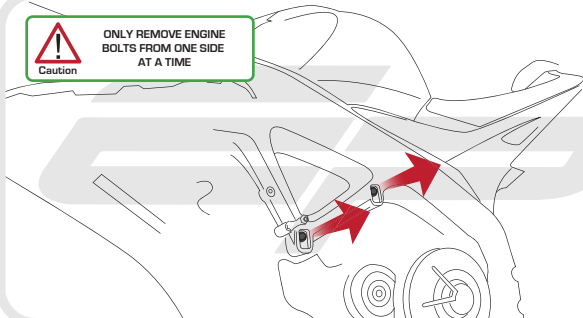
Ensure either original engine
spacers or Evotech Performance
spacers are installed

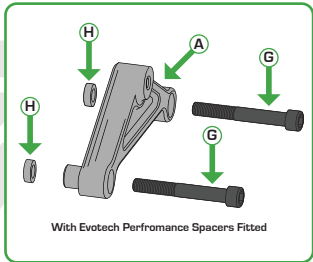
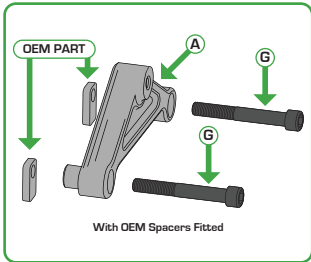




Caution

ONLY REMOVE ENGINE
BOLTS FROM ONE SIDE
AT A TIME







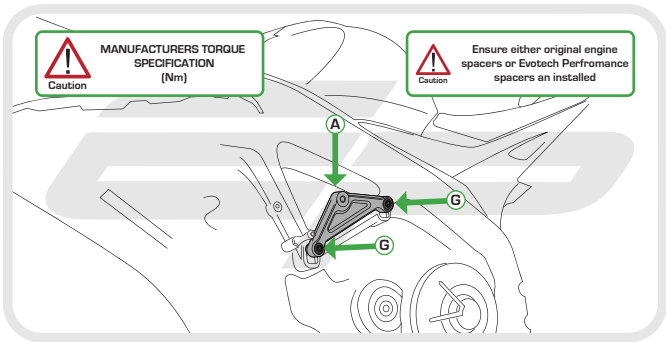
Caution

MANUFACTURERS TORQUE
SPECIFICATION
(Nm)



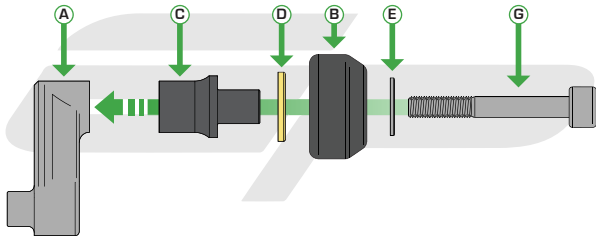
Caution

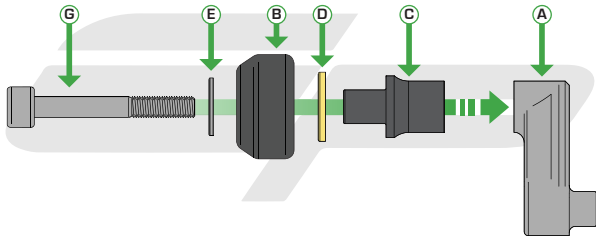
Ensure either original engine
spacers or Evotech Performance
spacers are installed





Reverse Stages
5 - 1 to Re-fit fairings
before continuing





EVOTECH[®]
P E R F O R M A N C E



Maintenance

It is recommended that periodic inspections are made to ensure that all bolts are tightened to the specified torque settings.

Should the bike be involved in an accident a thorough inspection should be made and any components that have taken an impact, no matter how small, be replaced



EVOTECH®
P E R F O R M A N C E

www.evotech-performance.com